



PARTS CATALOG

ST1300'03•'04

ST1300

ST1300A'03•'04

ST1300A

MARCH, 2004

American Honda Motor Co., Inc.

14MCS3E1M (Fiche Version)

TABLE OF CONTENTS

Introduction

Grid / Page

- HOW TO USE THIS CATALOG A2 4
- LOCATION OF SERIAL NUMBER A2 5
- SERIAL NUMBERS A3 7
- CONSTRUCTION OF VEHICLE IDENTIFICATION
NUMBER A4 8
- COLOR TABLE A4 9
- BULK HOSE PART NUMBER PATTERN..... A7 15
- MASTER INDEX A8 16

Part Groups

- ENGINE SECTION 1-C1 1-1
- FRAME SECTION..... 1-E1 2-1

Index

- PART NUMBER INDEX B1 3-1
- DESCRIPTION INDEX 1-J1 4-1

HOW TO USE THIS CATALOG

This parts catalog is to be used when ordering replacement parts for the model (s) specified on the microfiche strip.

CATALOG PAGE BREAKDOWN (Generic layout-sample data only)

4= MODEL 5= MODEL 6= MODEL 7= MODEL		E-1							
④				Engine Serial Number					
Ref.	Description	MODEL-ID	From	To	AREA	ORG	QTY	Part Number	H/C
1	COVER SET, CYLINDER HEAD	4	15240057	-----	AC	JPN	1	12310-PE2-020	2031797
	COVER SET, CYLINDER HEAD		-----	12234811	A	USA	1	12310-PE2-030	2210888
①	②	③	⑤	⑥	⑦	⑧	⑨	⑩	

KEY TO CATALOG PAGE BREAKDOWN

1. **Ref.** - Reference numbers correspond to the reference numbers on the illustrations. All illustrations are representative only and do not necessarily correspond exactly to the actual part. "NI" signifies the part is not illustrated.

2. **Description*** - Describes the part for the related part number.

Abbreviations:

ASSY.	- Assembly	V	- Volt
COMP.	- Complete	W	- Watt
L(100L)	- Link(100Links)	A.C.	- Alternating Current
R.	- Right	D.C.	- Direct Current
L.	- Left	KPH	- Kilometers Per Hour
IN.	- Inlet	MPH	- Miles Per Hour
EX.	- Exhaust	A.M.	- Attaching Mark
FR.	- Front	T.M.	- Transcript Mark
RR.	- Rear	A	- Ampere
HEX.	- Hexagonal	WL	- With Labeling
STD.	- Standard	WOL	- Without Labeling
MM	- Millimeter	T (22T)	- Tooth
G	- Gram	C.D.I.	- Capacitive Discharge Ignition

3. **MODEL-ID*** - Model indicator code is unique per catalog (not consistent with other catalogs).

4. Each catalog will be represented with applicable model indicators and models.

5. **Serial Number** - Applies to Engine or Frame serial numbers depending on the section. The serial numbers of the vehicle (frame, engine, carburetor) should be checked prior to ordering parts for a specific unit. In cases where a part has been modified, the serial number of the vehicle bearing the modification is listed in the 'SERIAL NUMBER' column. The modification parts are controlled by each pertinent serial number below.

Engine serial number - Engine group parts (Block numbers beginning with 'E').

Carburetor identification number - Carburetor component parts.

Frame serial number - Frame group parts (Block numbers beginning with 'F').

A serial number chart and serial number locations are provided.

Note - Some models may be controlled by one serial number only.

6. **AREA*** - Applicable area code type is defined in the serial number chart.

7. **ORG*** - Manufacturing origin of the unit.

8. **QTY** - Quantity required per unit as specified.

A. "AR" in place of the quantity indicates AS REQUIRED.

B. "(" Parentheses in the quantity required indicate "optional".

9. **Part Number** - Part number corresponds to the reference number and application. Several part numbers may be listed under one (1) reference number. For your convenience the current supersede chain, as of print date, has been listed. Supersede chains are subject to change without notice.

10. **H/C** - The Honda Code and Part Number share a 1 to 1 relationship.

MAKE-UP OF PART NUMBERS

All parts are classified into two groups consisting of "GENERAL PARTS" and "STANDARD PARTS". All parts are numbered in accordance with the system described below:

General Parts

Example: Driver Seat Assembly Part No.	77400-634-671ZA
Function No.	77
Component No.	400
Model Code No.	-634-
Modification Process Design	671
Color Code**	ZA

A. Additional Information - The section index located at the bottom of each microfiche grid lists section titles. The Engine and Frame sections have separate section indexes.

Note:

1. Rear view mirrors are standard equipment on all street legal models.

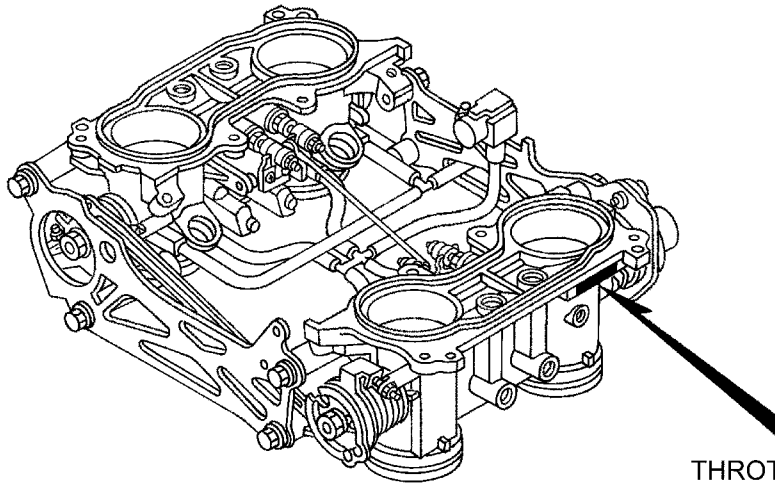
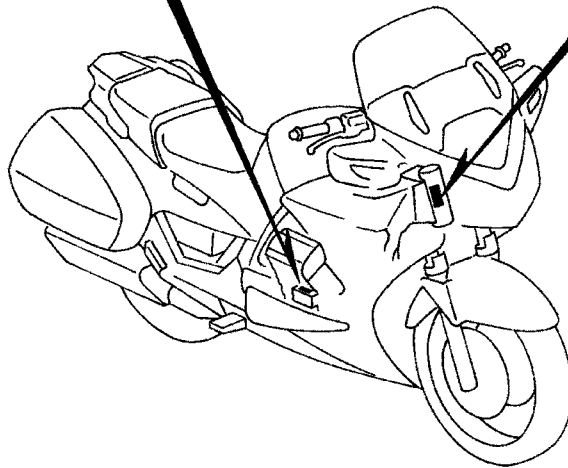
*When columns become full, additional data is displayed on a second line.

**The color code at the end of a part number indicates a color. Color codes such as ZA, ZB, ZC . . . , except ZZ, do not indicate the actual color. Actual colors are represented in code, between asterisks in the part description.

LOCATION OF SERIAL NUMBER

ENGINE
SERIAL NUMBER

FRAME SERIAL
NUMBER



THROTTLE BODY
IDENTIFICATION NUMBER

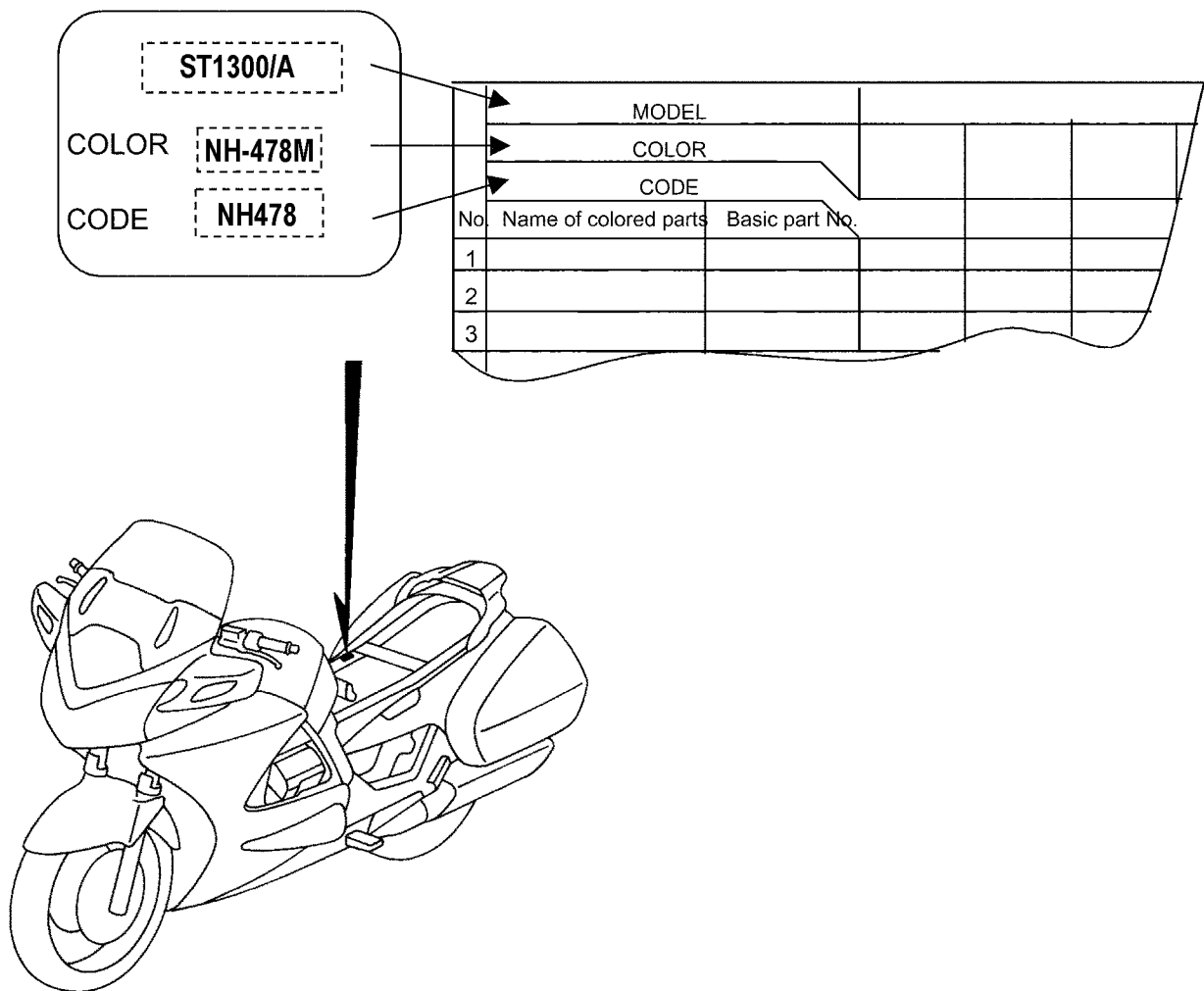
LOCATION OF SERIAL NUMBER

INSTRUCTION OF COLOR LABEL

Color label

When ordering parts, check the model name, main color and by code observing the color label on the vehicle.

When ordering a colored part, use the Color Chart in the INSTRUCTION FOR USE OF PARTS CATALOG.



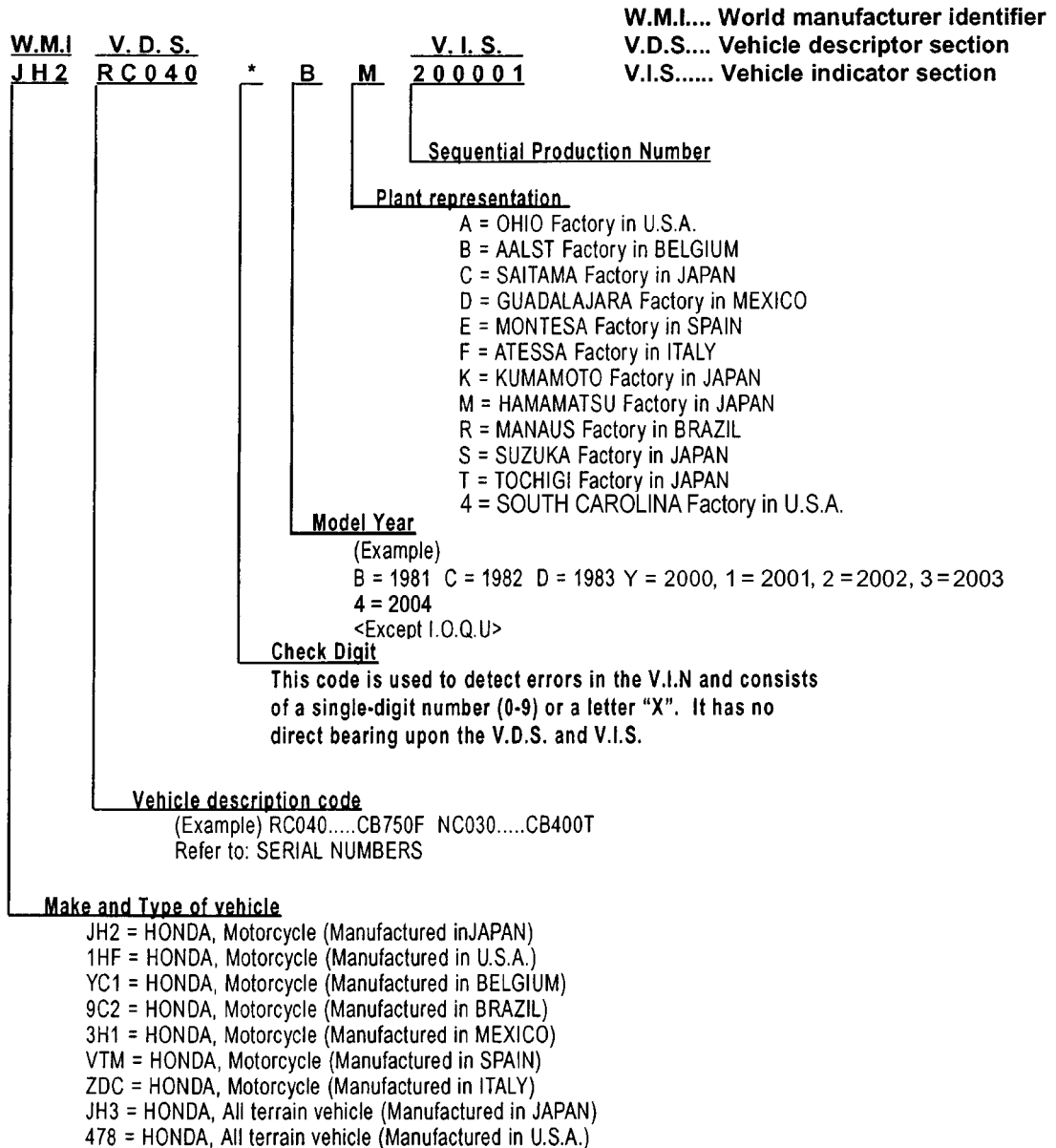
SERIAL NUMBERS

Models and applicable serial numbers

Models and applicable serial numbers given in this parts catalog can be identified as follows.

Model	Area Code	Engine Serial No.	Frame Serial No.	Carburetor Serial No.
ST1300'03	AC	SC51E-2100001 TO 2199999	JH2SC511*3M100001 TO 3M199999	GQ35B A
ST1300A'03	AC	SC51E-2100001 TO 2199999	JH2SC514*3M100001 TO 3M199999	GQ35B A
ST1300'04	A	SC51E-2200001~	JH2SC510*4M200001~	GQ35B A
ST1300A'04	A	SC51E-2200001~	JH2SC513*4M200001~	GQ35B A

CONSTRUCTION OF VEHICLE IDENTIFICATION NUMBER



Any change or modification of parts is directly related to the V.D.S. and V.I.S.
 A V.I.S. number will appear in the "Serial No." column of the Parts Catalog if a part is changed or modified.

COMMENT:

This example is generic and applies to 1981 and newer vehicles. 1980 models and prior are referred to as "FRAME NUMBERS" and the construction is designed by using the model designation or code followed by a sequential number.

COLOR TABLE

When ordering a colored part:

1. Confirm the color code for the required part from the color table according to the part name and color type.
2. Select the corresponding part number from the appropriate PAGE/GRID.
3. Parts marked "X" are unused.
4. "*" = Basic Part Number, no extension (i.e. ZA, ZB).

ST1300'03 2003

No.	DESCRIPTION	COLOR CODE	NH478	A R E A
		BASE COLOR	Tower silver metallic NH478M	
		BASIC PART NO.		
1	BODY, L. SADDLEBAG	81301-MCS-G00	ZA	
2	BODY, R. SADDLEBAG	81201-MCS-G00	ZA	
3	CLIP, PANEL FIXING	91549-MW0-790	ZA	
4	COVER, HANDLE	53115-MCS-G00	ZA	
5	COVER, L. MIRROR	88121-MCS-G00	ZB	
6	COVER, L. SADDLEBAG	81305-MCS-770	ZA	
7	COVER, L. SADDLEBAG LOCK	81307-MCS-G00	ZA	
8	COVER, L. SIDE	83700-MCS-G01	ZB	
9	COVER, R. MIRROR	88111-MCS-G00	ZB	
10	COVER, R. SADDLEBAG	81205-MCS-770	ZA	
11	COVER, R. SADDLEBAG LOCK	81207-MCS-G00	ZA	
12	COVER, R. SIDE	83600-MCS-G01	ZB	
13	COWL SET (UPPER) (WL)	64210-MCS-G00	ZE	
14	COWL SET, L. MIDDLE (WL)	64350-MCS-771	ZB	
15	COWL SET, R. MIDDLE (WL)	64300-MCS-771	ZB	
16	COWL SET, RR. (WL)	77210-MCS-G00	ZB	
17	FENDER, FR.	61100-MCS-G00	ZB	
18	FRAME	50100-MCS-L01	ZA	
19	GRAB RAIL, RR.	77310-MCS-770	ZA	
20	GRIP, MAIN STAND	50400-MT3-000	ZE	
21	GRIP, SADDLEBAG	81235-MCS-G00	ZA	
22	HANDLEBAR, L.	53150-MCS-G00	ZA	
23	HANDLEBAR, R.	53100-MCS-G00	ZA	
24	HOLDER, L. MAIN STEP	50700-MCS-G00	ZA	
25	HOLDER, R. MAIN STEP	50600-MCS-G01	ZA	
26	LABEL, COLOR FROM: ----- TO: 3M100293	87565-MCS-640	ZB	
27	LABEL, COLOR FROM: 3M100294 TO: -----	87565-MCS-770	ZB	
28	LEVER, L. GRAB RAIL	77350-MCS-G00	ZB	
29	LEVER, L. SADDLEBAG COVER LOCK	81370-MCS-G00	ZA	
30	LEVER, R. GRAB RAIL	77340-MCS-G00	ZB	
31	LEVER, R. SADDLEBAG COVER LOCK	81270-MCS-G00	ZA	
32	LID, L. MIDDLE COWL	64328-MCS-G00	ZB	
33	LID, R. MIDDLE COWL	64323-MCS-G00	ZB	
34	MARK A, MIDDLE COWL	87610-MCS-L00	ZB	
35	MARK, L. FUEL TANK	17512-MCS-G01	ZB	

COLOR TABLE

ST1300'03 2003

No.	DESCRIPTION	COLOR CODE	NH478	A R E A
		BASE COLOR	Tower silver metallic NH478M	
		BASIC PART NO.		
36	MARK, R. FUEL TANK	17511-MCS-G01	ZB	
37	MARK, RR. COWL	77261-MCS-G00	ZB	
38	TANK SET, FUEL (WL)	17500-MCS-G03	ZB	

COLOR TABLE

When ordering a colored part:

1. Confirm the color code for the required part from the color table according to the part name and color type.
2. Select the corresponding part number from the appropriate PAGE/GRID.
3. Parts marked "X" are unused.
4. "*" = Basic Part Number, no extension (i.e. ZA, ZB).

ST1300'04 2004

No.	DESCRIPTION	COLOR CODE	PB255	A R E A
		BASE COLOR	Pearl coronado blue PB255P	
		BASIC PART NO.		
1	BODY, L. SADDLEBAG	81301-MCS-G01	ZB	
2	BODY, R. SADDLEBAG	81201-MCS-G01	ZB	
3	CLIP, PANEL FIXING	91549-MW0-790	ZA	
4	COVER, HANDLE	53115-MCS-G00	ZA	
5	COVER, L. MIRROR	88121-MCS-G00	ZE	
6	COVER, L. SADDLEBAG	81305-MCS-770	ZC	
7	COVER, L. SADDLEBAG LOCK	81307-MCS-G01	ZB	
8	COVER, L. SIDE	83700-MCS-G01	ZE	
9	COVER, R. MIRROR	88111-MCS-G00	ZE	
10	COVER, R. SADDLEBAG	81205-MCS-770	ZC	
11	COVER, R. SADDLEBAG LOCK	81207-MCS-G01	ZB	
12	COVER, R. SIDE	83600-MCS-G01	ZE	
13	COWL SET (UPPER) (WL)	64210-MCS-G00	ZH	
14	COWL SET, L. MIDDLE (WL)	64350-MCS-710	ZA	
15	COWL SET, R. MIDDLE (WL)	64300-MCS-710	ZA	
16	COWL SET, RR. (WL)	77210-MCS-760	ZA	
17	FENDER, FR.	61100-MCS-G00	ZF	
18	FRAME	50100-MCS-L01	ZA	
19	GRAB RAIL, RR.	77310-MCS-770	ZA	
20	GRIP, MAIN STAND	50400-MT3-000	ZE	
21	GRIP, SADDLEBAG	81235-MCS-G00	ZA	
22	HANDLEBAR, L.	53150-MCS-G00	ZA	
23	HANDLEBAR, R.	53100-MCS-G00	ZA	
24	HOLDER, L. MAIN STEP	50700-MCS-G00	ZA	
25	HOLDER, R. MAIN STEP	50600-MCS-G01	ZA	
26	LABEL, COLOR	87565-MCS-940	ZA	
27	LEVER, L. GRAB RAIL	77350-MCS-G00	ZB	
28	LEVER, L. SADDLEBAG COVER LOCK	81370-MCS-G00	ZA	
29	LEVER, R. GRAB RAIL	77340-MCS-G00	ZB	
30	LEVER, R. SADDLEBAG COVER LOCK	81270-MCS-G00	ZA	
31	LID, L. MIDDLE COWL	64328-MCS-G00	ZE	
32	LID, R. MIDDLE COWL	64323-MCS-G00	ZE	
33	MARK A, MIDDLE COWL	87610-MCS-710	ZA	
34	MARK, L. FUEL TANK	17512-MCS-760	ZA	
35	MARK, R. FUEL TANK	17511-MCS-760	ZA	
36	TANK SET, FUEL (WL)	17500-MCS-760	ZA	

COLOR TABLE

When ordering a colored part:

1. Confirm the color code for the required part from the color table according to the part name and color type.
2. Select the corresponding part number from the appropriate PAGE/GRID.
3. Parts marked "X" are unused.
4. "*" = Basic Part Number, no extension (i.e. ZA, ZB).

ST1300A'03 2003

No.	DESCRIPTION	COLOR CODE	NH478	A R E A
		BASE COLOR	Tower silver metallic NH478M	
		BASIC PART NO.		
1	BODY, L. SADDLEBAG	81301-MCS-G00	ZA	
2	BODY, R. SADDLEBAG	81201-MCS-G00	ZA	
3	CLIP, PANEL FIXING	91549-MW0-790	ZA	
4	COVER, HANDLE	53115-MCS-G00	ZA	
5	COVER, L. MIRROR	88121-MCS-G00	ZB	
6	COVER, L. SADDLEBAG	81305-MCS-770	ZA	
7	COVER, L. SADDLEBAG LOCK	81307-MCS-G00	ZA	
8	COVER, L. SIDE	83700-MCS-G01	ZB	
9	COVER, R. MIRROR	88111-MCS-G00	ZB	
10	COVER, R. SADDLEBAG	81205-MCS-770	ZA	
11	COVER, R. SADDLEBAG LOCK	81207-MCS-G00	ZA	
12	COVER, R. SIDE	83600-MCS-G01	ZB	
13	COWL SET (UPPER) (WL)	64210-MCS-G00	ZE	
14	COWL SET, L. MIDDLE (WL)	64350-MCS-L01	ZC	
15	COWL SET, R. MIDDLE (WL)	64300-MCS-L01	ZC	
16	COWL SET, RR. (WL)	77210-MCS-G00	ZB	
17	FENDER, FR.	61100-MCS-G00	ZB	
18	FRAME	50100-MCS-L01	ZA	
19	GRAB RAIL, RR.	77310-MCS-770	ZA	
20	GRIP, MAIN STAND	50400-MT3-000	ZE	
21	GRIP, SADDLEBAG	81235-MCS-G00	ZA	
22	HANDLEBAR, L.	53150-MCS-G00	ZA	
23	HANDLEBAR, R.	53100-MCS-G00	ZA	
24	HOLDER, L. MAIN STEP	50700-MCS-G00	ZA	
25	HOLDER, R. MAIN STEP	50600-MCS-G01	ZA	
26	LABEL, COLOR FROM: ----- TO: 3M100009	87565-MCS-G00	ZB	
27	LABEL, COLOR FROM: 3M100010 TO: -----	87565-MCS-L00	ZB	
28	LEVER, L. GRAB RAIL	77350-MCS-G00	ZB	
29	LEVER, L. SADDLEBAG COVER LOCK	81370-MCS-G00	ZA	
30	LEVER, R. GRAB RAIL	77340-MCS-G00	ZB	
31	LEVER, R. SADDLEBAG COVER LOCK	81270-MCS-G00	ZA	
32	LID, L. MIDDLE COWL	64328-MCS-G00	ZB	
33	LID, R. MIDDLE COWL	64323-MCS-G00	ZB	
34	MARK A, MIDDLE COWL	87610-MCS-L00	ZB	
35	MARK B, MIDDLE COWL	87611-MCS-L00	ZA	

COLOR TABLE

ST1300A'03 2003

No.	DESCRIPTION	COLOR CODE	NH478	A R E A
		BASE COLOR	Tower silver metallic NH478M	
		BASIC PART NO.		
36	MARK, L. FUEL TANK	17512-MCS-G01	ZB	
37	MARK, R. FUEL TANK	17511-MCS-G01	ZB	
38	MARK, RR. COWL	77261-MCS-G00	ZB	
39	TANK SET, FUEL (WL)	17500-MCS-G03	ZB	

COLOR TABLE

When ordering a colored part:

1. Confirm the color code for the required part from the color table according to the part name and color type.
2. Select the corresponding part number from the appropriate PAGE/GRID.
3. Parts marked "X" are unused.
4. "*" = Basic Part Number, no extension (i.e. ZA, ZB).

ST1300A'04 2004

No.	DESCRIPTION	COLOR CODE	PB255	A R E A
		BASE COLOR	Pearl coronado blue PB255P	
		BASIC PART NO.		
1	BODY, L. SADDLEBAG	81301-MCS-G01	ZB	
2	BODY, R. SADDLEBAG	81201-MCS-G01	ZB	
3	CLIP, PANEL FIXING	91549-MW0-790	ZA	
4	COVER, HANDLE	53115-MCS-G00	ZA	
5	COVER, L. MIRROR	88121-MCS-G00	ZE	
6	COVER, L. SADDLEBAG	81305-MCS-770	ZC	
7	COVER, L. SADDLEBAG LOCK	81307-MCS-G01	ZB	
8	COVER, L. SIDE	83700-MCS-G01	ZE	
9	COVER, R. MIRROR	88111-MCS-G00	ZE	
10	COVER, R. SADDLEBAG	81205-MCS-770	ZC	
11	COVER, R. SADDLEBAG LOCK	81207-MCS-G01	ZB	
12	COVER, R. SIDE	83600-MCS-G01	ZE	
13	COWL SET (UPPER) (WL)	64210-MCS-G00	ZH	
14	COWL SET, L. MIDDLE (WL)	64350-MCS-710	ZA	
15	COWL SET, R. MIDDLE (WL)	64300-MCS-710	ZA	
16	COWL SET, RR. (WL)	77210-MCS-760	ZA	
17	FENDER, FR.	61100-MCS-G00	ZF	
18	FRAME	50100-MCS-L01	ZA	
19	GRAB RAIL, RR.	77310-MCS-770	ZA	
20	GRIP, MAIN STAND	50400-MT3-000	ZE	
21	GRIP, SADDLEBAG	81235-MCS-G00	ZA	
22	HANDLEBAR, L.	53150-MCS-G00	ZA	
23	HANDLEBAR, R.	53100-MCS-G00	ZA	
24	HOLDER, L. MAIN STEP	50700-MCS-G00	ZA	
25	HOLDER, R. MAIN STEP	50600-MCS-G01	ZA	
26	LABEL, COLOR	87565-MCS-760	ZA	
27	LEVER, L. GRAB RAIL	77350-MCS-G00	ZB	
28	LEVER, L. SADDLEBAG COVER LOCK	81370-MCS-G00	ZA	
29	LEVER, R. GRAB RAIL	77340-MCS-G00	ZB	
30	LEVER, R. SADDLEBAG COVER LOCK	81270-MCS-G00	ZA	
31	LID, L. MIDDLE COWL	64328-MCS-G00	ZE	
32	LID, R. MIDDLE COWL	64323-MCS-G00	ZE	
33	MARK A, MIDDLE COWL	87610-MCS-710	ZA	
34	MARK, L. FUEL TANK	17512-MCS-760	ZA	
35	MARK, R. FUEL TANK	17511-MCS-760	ZA	
36	TANK SET, FUEL (WL)	17500-MCS-760	ZA	

BULK HOSE PART NUMBER PATTERN

Construction of Fuel and Vacuum Hose Part Number

Example: 9 5 0 0 1 - 7 5 0 0 1 - 4 0 M

Roll Hose

All roll hose part numbers have an "M" in this position

Appearance Code

Fuel Hose:

- 2 = Red, braided exterior
- 3 = Red
- 4 = Ash Gray with red stripe
- 5 = Black, braided interior
- 6 = Black

Vinyl Hose:

- 1 = Ash Gray
- 2 = Black
- 3 = Light Red
- 6 = Light Red
- 7 = Pale Black

Vacuum Hose:

- 1 = Ash Gray
- 2 = Ash Gray
- 3 = Black
- 5 = Black

Length

Cut Hose length is in *Millimeters (mm)*

Bulk Hose length is in *Meters (M)*

Inside Diameter

Fuel and Vacuum Hose

- | | |
|-----------------------|------------------------------|
| 35 = 3.5 mm | 11 = 11 mm |
| 45 = 4.5 mm | 91 = 12 (outside dia. 15) mm |
| 50 = 5.0 mm | 92 = 12 (outside dia. 16) mm |
| 55 = 5.3 mm or 5.5 mm | 12 = 12 (outside dia. 17) mm |
| 65 = 6.5 mm | 14 = 14 mm |
| 70 = 7.0 mm | 17 = 17 mm |
| 75 = 7.3 mm or 7.5 mm | |
| 80 = 8.0 mm | |

ID./OD. Code : Vinyl Hose

- | | | |
|--------------------------|----------------------------|----------------------------|
| 01 = ID. 2.9, OD. 6.8 mm | 14 = ID. 6.0, OD. 9.0 mm | 37 = ID. 11.0, OD. 15.0 mm |
| 03 = ID. 3.0, OD. 6.0 mm | 17 = ID. 7.0, OD. 9.0 mm | 38 = ID. 12.0, OD. 13.0 mm |
| 05 = ID. 3.5, OD. 6.5 mm | 19 = ID. 7.0, OD. 11.0 mm | 39 = ID. 12.0, OD. 14.0 mm |
| 07 = ID. 4.0, OD. 7.0 mm | 21 = ID. 8.0, OD. 9.0 mm | 40 = ID. 12.0, OD. 16.0 mm |
| 08 = ID. 4.5, OD. 6.5 mm | 23 = ID. 8.0, OD. 12.0 mm | 43 = ID. 13.0, OD. 15.0 mm |
| 09 = ID. 4.5, OD. 8.0 mm | 25 = ID. 9.0, OD. 11.0 mm | 45 = ID. 14.0, OD. 18.0 mm |
| 12 = ID. 5.0, OD. 7.0 mm | 27 = ID. 9.0, OD. 13.0 mm | 50 = ID. 16.0, OD. 19.0 mm |
| 10 = ID. 5.0, OD. 8.0 mm | 33 = ID. 10.0, OD. 14.0 mm | 55 = ID. 17.5, OD. 20.5 mm |
| 11 = ID. 5.0, OD. 9.0 mm | 36 = ID. 11.0, OD. 13.0 mm | 60 = ID. 22.0, OD. 27.0 mm |

Hose Type:

- 1 = Fuel Hose
- 3 = Vinyl Hose
- 5 = Vacuum Hose

CAUTION: Never use vacuum / or vinyl hose in place of fuel hose or vice versa

MASTER INDEX

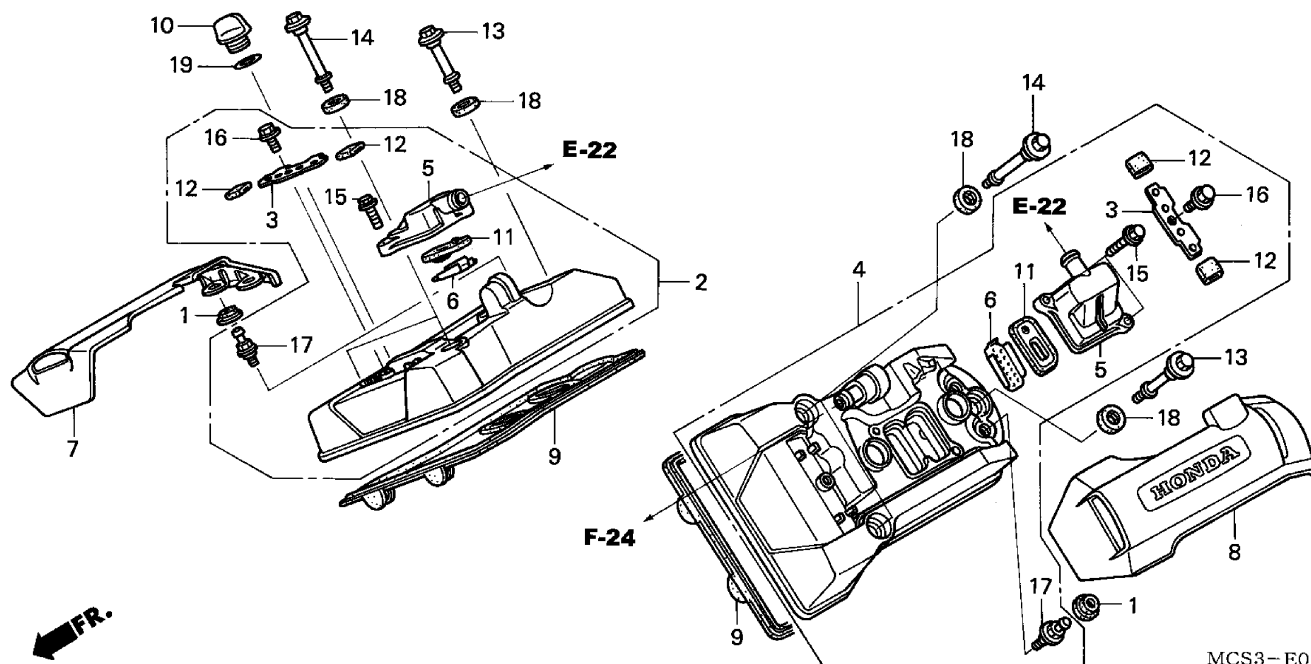
Title	Grid	Page	Title	Grid	Page
ENGINE SECTION			REAR BRAKE CALIPER.....	1-F10	2-54
CYLINDER HEAD COVER.....	1-C1	1-2	REAR WHEEL.....	1-F11	2-56
RIGHT CYLINDER HEAD.....	1-C2	1-4	FINAL DRIVEN GEAR (ST1300).....	1-F12	2-59
LEFT CYLINDER HEAD.....	1-C3	1-7	FINAL DRIVEN GEAR (ST1300A).....	1-F15	2-64
CAMSHAFT • VALVE.....	1-C5	1-10	FUEL TANK.....	1-G2	2-70
CAM CHAIN • TENSIONER.....	1-C8	1-16	FUEL PUMP.....	1-G4	2-74
FRONT CRANKCASE COVER.....	1-C9	1-18	SEAT.....	1-G5	2-76
WATER PUMP.....	1-C10	1-20	GRAB RAIL.....	1-G6	2-78
CLUTCH.....	1-C11	1-22	SIDE COVER • REAR COWL.....	1-G8	2-82
STARTING CLUTCH.....	1-C12	1-24	AIR CLEANER.....	1-G9	2-84
REAR CRANKCASE COVER.....	1-C13	1-26	MUFFLER.....	1-G10	2-86
STARTING MOTOR.....	1-C14	1-28	PEDAL.....	1-G11	2-88
ALTERNATOR.....	1-C14	1-29	STEP.....	1-G12	2-90
PRIMARY SHAFT.....	1-C16	1-32	STAND.....	1-G13	2-93
OIL PUMP • OIL PAN.....	1-C16	1-33	SWINGARM.....	1-G14	2-95
CRANKCASE.....	1-D2	1-36	REAR CUSHION.....	1-G15	2-97
CRANK SHAFT • PISTON.....	1-D3	1-39	REAR FENDER.....	1-G16	2-98
BALANCER SHAFT.....	1-D5	1-43	TURN SIGNAL.....	1-H1	2-100
TRANSMISSION.....	1-D6	1-45	REAR COMBINATION LIGHT.....	1-H1	2-101
GEARSHIFT DRUM.....	1-D8	1-48	BATTERY.....	1-H2	2-102
FINAL GEAR.....	1-D9	1-51	WIRE HARNESS (ST1300).....	1-H3	2-104
WATER PIPE.....	1-D10	1-52	WIRE HARNESS (ST1300A).....	1-H4	2-106
THROTTLE BODY (ASSY.).....	1-D11	1-55	IGNITION COIL.....	1-H5	2-108
THROTTLE BODY (COMP.).....	1-D13	1-58	FRAME.....	1-H6	2-110
AIR INJECTION CONT. VALVE.....	1-D14	1-60	TOOLS.....	1-H8	2-114
GASKET KIT A.....	1-D14	1-61	RADIATOR.....	1-H9	2-116
GASKET KIT B.....	1-D15	1-62	WIND SCREEN.....	1-H10	2-118
FRAME SECTION			UPPER COWL.....	1-H11	2-121
HEADLIGHT.....	1-E1	2-4	COWL POCKET.....	1-H13	2-124
SPEEDOMETER.....	1-E2	2-6	LOWER COWL.....	1-H14	2-126
SWITCH • CABLE.....	1-E3	2-8	COWL STAY.....	1-H15	2-129
FR. BRAKE MASTER CYLINDER (ST1300).....	1-E4	2-10	SADDLE BAG.....	1-H16	2-131
FR. BRAKE MASTER CYLINDER (ST1300A).....	1-E5	2-12	EVAP CANISTER.....	1-I2	2-135
FRONT BRAKE HOSE (ST1300).....	1-E6	2-14	CAUTION LABELS.....	1-I3	2-137
FRONT BRAKE HOSE (ST1300A).....	1-E7	2-16	MARKS.....	1-I4	2-139
CLUTCH MASTER CYLINDER.....	1-E9	2-20			
HANDLEBAR • TOP BRIDGE.....	1-E11	2-24			
STEERING STEM.....	1-E13	2-28			
FRONT FENDER.....	1-E13	2-29			
FRONT FORK.....	1-E14	2-30			
R. FRONT BRAKE CALIPER.....	1-E15	2-33			
L. FRONT BRAKE CALIPER.....	1-F1	2-36			
FRONT WHEEL.....	1-F2	2-38			
RR. BRAKE MASTER CYLINDER (ST1300).....	1-F3	2-40			
RR. BRAKE MASTER CYLINDER (ST1300A).....	1-F4	2-43			
PROPORTIONING CONTROL VALVE (ST1300).....	1-F6	2-46			
PROPORTIONING CONTROL VALVE (ST1300A).....	1-F7	2-48			
REAR BRAKE HOSE (ST1300).....	1-F8	2-50			
REAR BRAKE HOSE (ST1300A).....	1-F9	2-52			

ENGINE SECTION

Chapter Table of Contents

Page Title	Grid	Page
CYLINDER HEAD COVER	1-C1	1-2
RIGHT CYLINDER HEAD	1-C2	1-4
LEFT CYLINDER HEAD	1-C3	1-7
CAMSHAFT • VALVE	1-C5	1-10
CAM CHAIN • TENSIONER	1-C8	1-16
FRONT CRANKCASE COVER	1-C9	1-18
WATER PUMP	1-C10	1-20
CLUTCH	1-C11	1-22
STARTING CLUTCH	1-C12	1-24
REAR CRANKCASE COVER	1-C13	1-26
STARTING MOTOR	1-C14	1-28
ALTERNATOR	1-C14	1-29
PRIMARY SHAFT	1-C16	1-32
OIL PUMP • OIL PAN	1-C16	1-33
CRANKCASE	1-D2	1-36
CRANK SHAFT • PISTON	1-D3	1-39
BALANCER SHAFT	1-D5	1-43
TRANSMISSION	1-D6	1-45
GEARSHIFT DRUM	1-D8	1-48
FINAL GEAR	1-D9	1-51
WATER PIPE	1-D10	1-52
THROTTLE BODY (ASSY.)	1-D11	1-55
THROTTLE BODY (COMP.)	1-D13	1-58
AIR INJECTION CONT. VALVE	1-D14	1-60
GASKET KIT A	1-D14	1-61
GASKET KIT B	1-D15	1-62

CYLINDER HEAD COVER



MCS3-E0100

MCS3E0100

3 =ST1300'03
 3A=ST1300A'03
 4 =ST1300'04
 4A=ST1300A'04

E-1

Engine
 Serial Number

Ref	Description	Model	From	To	AREA	QTY	Part Number	H/C
1	GROMMET B, RR. COVER	3 3A	-----	-----	AC	2	11345-MB0-000	1240852
		4 4A	-----	-----	A	2	11345-MB0-000	1240852
2	COVER ASSY., R. CYLINDER HEAD	3 3A	-----	-----	AC	1	12310-MCS-000	7122773
		4 4A	-----	-----	A	1	12310-MCS-000	7122773
3	PLATE, SETTING.....	3 3A	-----	-----	AC	2	12313-MCS-000	7122781
		4 4A	-----	-----	A	2	12313-MCS-000	7122781
4	COVER ASSY., L. CYLINDER HEAD	3 3A	-----	-----	AC	1	12320-MCS-010	7385693
		4 4A	-----	-----	A	1	12320-MCS-010	7385693
5	COVER, REED VALVE	3 3A	-----	-----	AC	2	12331-MCS-000	7122807
		4 4A	-----	-----	A	2	12331-MCS-000	7122807
6	PLATE, PORT (AI)	3 3A	-----	-----	AC	4	12341-MAT-750	5212394
		4 4A	-----	-----	A	4	12341-MAT-750	5212394
7	COVER, R. OVER HEAD	3 3A	-----	-----	AC	1	12361-MCS-020	7385701
		4 4A	-----	-----	A	1	12361-MCS-020	7385701
8	COVER, L. OVER HEAD	3 3A	-----	-----	AC	1	12371-MCS-020	7559461
		4 4A	-----	-----	A	1	12371-MCS-020	7559461
9	GASKET, HEAD COVER	3 3A	-----	-----	AC	2	12391-MCS-000	7122831
		4 4A	-----	-----	A	2	12391-MCS-000	7122831
10	CAP, OIL FILLER	3 3A	-----	-----	AC	1	15611-MB0-000	1241728
		4 4A	-----	-----	A	1	15611-MB0-000	1241728
11	VALVE, REED	3 3A	-----	-----	AC	4	18601-MCH-003	6701593

CYLINDER HEAD COVER

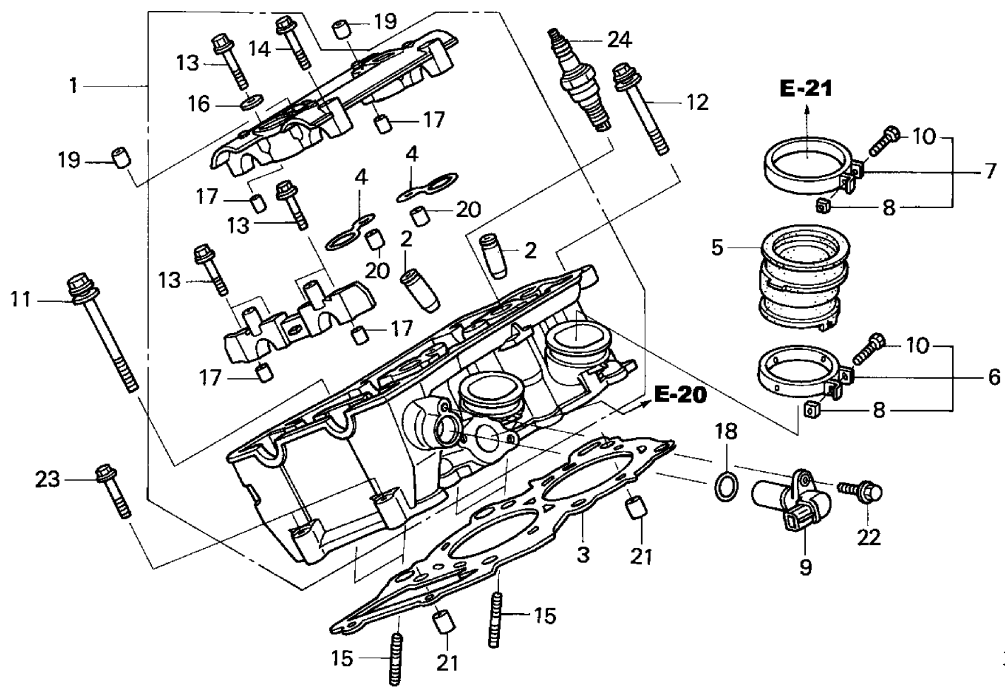
3 =ST1300'03
 3A=ST1300A'03
 4 =ST1300'04
 4A=ST1300A'04

E-1

 Engine
 Serial Number

Ref	Description	Model	From	To	AREA	QTY	Part Number	H/C
11	VALVE, REED	4 4A	-----	-----	A	4	18601-MCH-003	6701593
12	RUBBER B, BATTERY SETTING	3 3A	-----	-----	AC	4	31503-044-670	0128207
		4 4A	-----	-----	A	4	31503-044-670	0128207
13	BOLT, HEAD COVER.....	3 3A	-----	-----	AC	2	90017-MAL-600	4639878
		4 4A	-----	-----	A	2	90017-MAL-600	4639878
14	BOLT, HEAD COVER.....	3 3A	-----	-----	AC	4	90017-MCS-000	7128572
		4 4A	-----	-----	A	4	90017-MCS-000	7128572
15	BOLT, FLANGE (6X20)	3 3A	-----	-----	AC	4	90020-ZC3-000	2734820
		4 4A	-----	-----	A	4	90020-ZC3-000	2734820
16	BOLT, FLANGE (6X10)	3 3A	-----	-----	AC	2	90083-657-000	0584581
		4 4A	-----	-----	A	2	90083-657-000	0584581
17	BOLT, SIDE SHELTER SETTING	3 3A	-----	-----	AC	2	90101-MN5-003	2810729
		4 4A	-----	-----	A	2	90101-MN5-003	2810729
18	RUBBER, SETTING	3 3A	-----	-----	AC	6	90543-MV9-670	3699139
		4 4A	-----	-----	A	6	90543-MV9-670	3699139
19	O-RING (21.5MM)	3 3A	-----	-----	AC	1	91301-250-000	0035287
		4 4A	-----	-----	A	1	91301-250-000	0035287
	O-RING (22X3.0)	3 3A	-----	-----	AC	1	91307-425-003	1216126
		4 4A	-----	-----	A	1	91307-425-003	1216126

RIGHT CYLINDER HEAD



MCS4-E0200

MCS4E0200

3 =ST1300'03
 3A=ST1300A'03
 4 =ST1300'04
 4A=ST1300A'04

E-2

 Engine
 Serial Number

Ref	Description	Model	From	To	AREA	QTY	Part Number	H/C
1	CYLINDER HEAD ASSY., R.	3 3A	-----	-----	AC	1	12010-MCS-000	7122716
		4 4A	-----	-----	A	1	12010-MCS-000	7122716
2	GUIDE, VALVE (OS)	3 3A	-----	-----	AC	8	12205-MCS-305	7122732
		4 4A	-----	-----	A	8	12205-MCS-305	7122732
3	GASKET, R. CYLINDER HEAD	3 3A	-----	-----	AC	1	12251-MCS-003	7122757
		4 4A	-----	-----	A	1	12251-MCS-003	7122757
4	GASKET, PLUG HOLE.....	3 3A	-----	-----	AC	2	12395-MCS-000	7122849
		4 4A	-----	-----	A	2	12395-MCS-000	7122849
5	INSULATOR, THROTTLE BODY	3 3A	-----	-----	AC	2	16211-MCS-000	7123649
		4 4A	-----	-----	A	2	16211-MCS-000	7123649
6	BAND A, INSULATOR	3 3A	-----	-----	AC	2	16217-MCS-000	7123656
		4 4A	-----	-----	A	2	16217-MCS-000	7123656
7	BAND B, INSULATOR	3 3A	-----	-----	AC	2	16218-MCS-000	7123664
		4 4A	-----	-----	A	2	16218-MCS-000	7123664
8	NUT, SQUARE (5MM)	3 3A	-----	-----	AC	4	16222-MV4-300	3694882
		4 4A	-----	-----	A	4	16222-MV4-300	3694882
9	PICK-UP ASSY.	3 3A	-----	-----	AC	1	28810-P7Z-004	5234505
		4 4A	-----	-----	A	1	28810-P7Z-004	5234505
10	BOLT, RECESSED (5X28).....	3 3A	-----	-----	AC	4	90005-MAS-E00	5738133
		4 4A	-----	-----	A	4	90005-MAS-E00	5738133
11	BOLT-WASHER (10X105)	3 3A	-----	-----	AC	4	90007-MAT-000	5215983

RIGHT CYLINDER HEAD

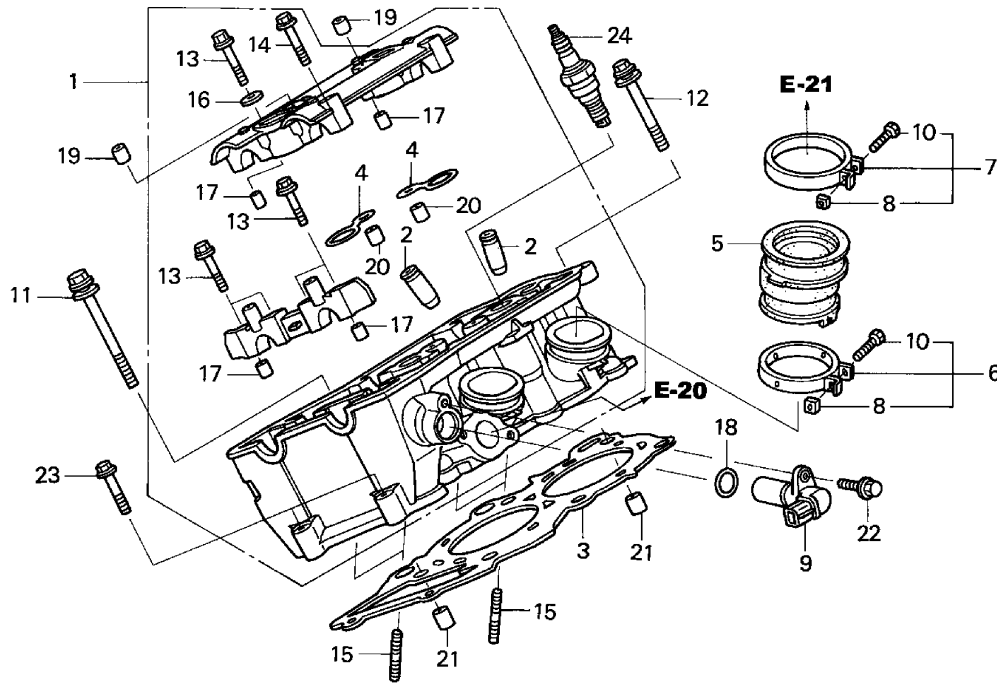
3 =ST1300'03
 3A=ST1300A'03
 4 =ST1300'04
 4A=ST1300A'04

E-2

 Engine
 Serial Number

Ref	Description	Model	From	To	AREA	QTY	Part Number	H/C
11	BOLT-WASHER (10X105)	4 4A	-----	-----	A	4	90007-MAT-000	5215983
12	BOLT-WASHER (10X90)	3 3A	-----	-----	AC	2	90007-MCS-000	7128556
		4 4A	-----	-----	A	2	90007-MCS-000	7128556
13	BOLT, FLANGE (6X48)	3 3A	-----	-----	AC	8	90018-425-000	0717256
		4 4A	-----	-----	A	8	90018-425-000	0717256
14	BOLT, FLANGE (6X39.5)	3 3A	-----	-----	AC	4	90019-MA6-000	2410504
		4 4A	-----	-----	A	4	90019-MA6-000	2410504
15	BOLT, STUD (8X24).....	3 3A	-----	-----	AC	4	90035-MM5-000	2551794
		4 4A	-----	-----	A	4	90035-MM5-000	2551794
16	WASHER, SEALING (6.5MM)	3 3A	-----	-----	AC	4	90463-ML7-000	2408680
		4 4A	-----	-----	A	4	90463-ML7-000	2408680
17	PIN, DOWEL (8X16).....	3 3A	-----	-----	AC	4	90702-HC4-000	3415064
		4 4A	-----	-----	A	4	90702-HC4-000	3415064
	PIN, DOWEL (8X16).....	3 3A	-----	-----	AC	4	94301-08160	1846997
		4 4A	-----	-----	A	4	94301-08160	1846997
18	O-RING (16X2.1)	3 3A	-----	-----	AC	1	91309-PX4-003	3301793
		4 4A	-----	-----	A	1	91309-PX4-003	3301793
19	PIN A, DOWEL (8X14)	3 3A	-----	-----	AC	2	94301-08140	0069310
		4 4A	-----	-----	A	2	94301-08140	0069310
20	PIN A, DOWEL (10X16)	3 3A	-----	-----	AC	2	94301-10160	0058206
		4 4A	-----	-----	A	2	94301-10160	0058206
21	PIN A, DOWEL (12X20)	3 3A	-----	-----	AC	2	94301-12200	0165324
		4 4A	-----	-----	A	2	94301-12200	0165324
22	BOLT, FLANGE (6X18)	3 3A	-----	-----	AC	1	95701-06018-07	2410918
		4 4A	-----	-----	A	1	95701-06018-07	2410918
23	BOLT, FLANGE (6X40)	3 3A	-----	-----	AC	2	95701-06040-00	2410942
		4 4A	-----	-----	A	2	95701-06040-00	2410942
24	SPARK PLUG (CR7EH9) (NGK)	3 3A	-----	-----	AC	2	98059-57916	2909570
		4 4A	-----	-----	A	2	98059-57916	2909570
	SPARK PLUG (U22FER9) (DENSO)	3 3A	-----	-----	AC	2	98059-57926	2909588
		4 4A	-----	-----	A	2	98059-57926	2909588
	SPARK PLUG (CR8EH9) (NGK)	3 3A	-----	-----	AC	(2)	98059-58916	2909596
		4 4A	-----	-----	A	(2)	98059-58916	2909596
	SPARK PLUG (U24FER9) (DENSO)	3 3A	-----	-----	AC	2	98059-58926	2909604
		3 3A	-----	-----	AC	(2)	98059-58926	2909604
		4 4A	-----	-----	A	2	98059-58926	2909604
		4 4A	-----	-----	A	(2)	98059-58926	2909604
	SPARK PLUG (CR9EH9) (NGK)	3 3A	-----	-----	AC	2	98059-59910	2909612
		3 3A	-----	-----	AC	(2)	98059-59910	2909612
		4 4A	-----	-----	A	2	98059-59910	2909612
		4 4A	-----	-----	A	(2)	98059-59910	2909612

RIGHT CYLINDER HEAD



MCS4-E0200

MCS4E0200

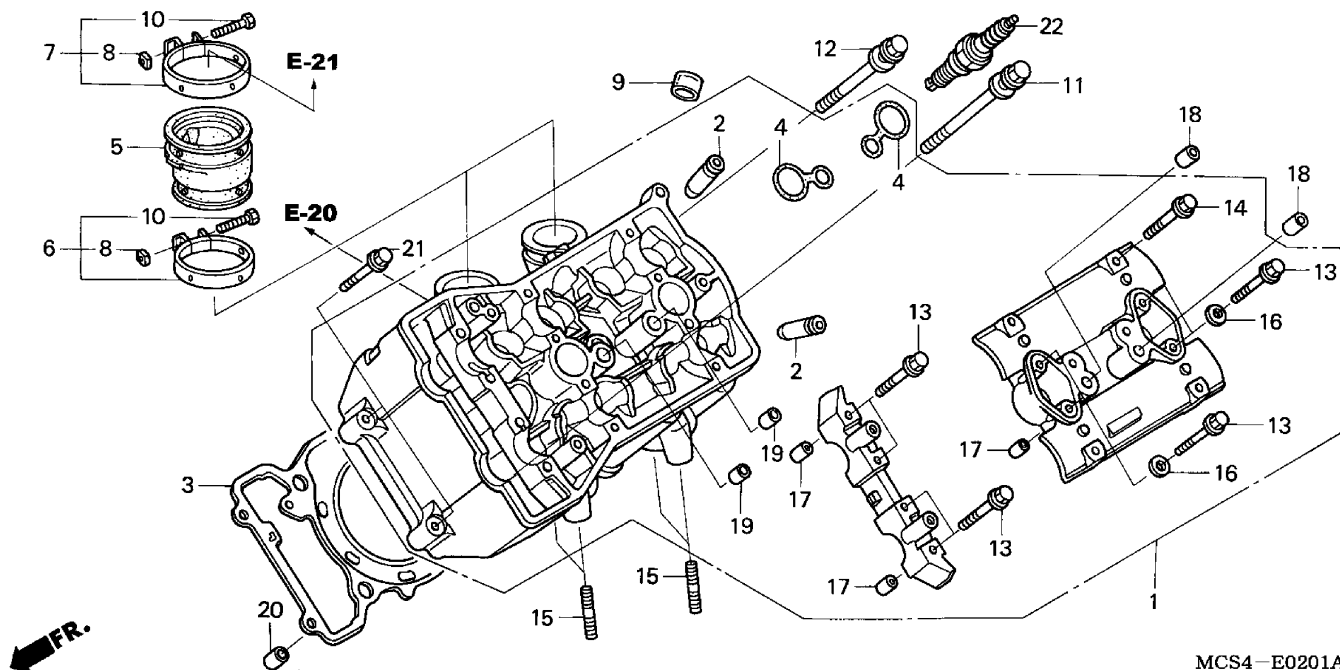
3 =ST1300'03
3A=ST1300A'03
4 =ST1300'04
4A=ST1300A'04

E-2

Engine
Serial Number

Ref	Description	Model	From	To	AREA	QTY	Part Number	H/C
24	SPARK PLUG (CR9EH9) (NGK)	3 3A	-----	-----	AC	2	98059-59916	2909620
		3 3A	-----	-----	AC	(2)	98059-59916	2909620
		4 4A	-----	-----	A	2	98059-59916	2909620
		4 4A	-----	-----	A	(2)	98059-59916	2909620
	SPARK PLUG (U27FER9) (DENSO)	3 3A	-----	-----	AC	2	98059-59926	2909646
		3 3A	-----	-----	AC	(2)	98059-59926	2909646
		4 4A	-----	-----	A	2	98059-59926	2909646
		4 4A	-----	-----	A	(2)	98059-59926	2909646

LEFT CYLINDER HEAD



MCS4-E0201A

MCS4E0201A

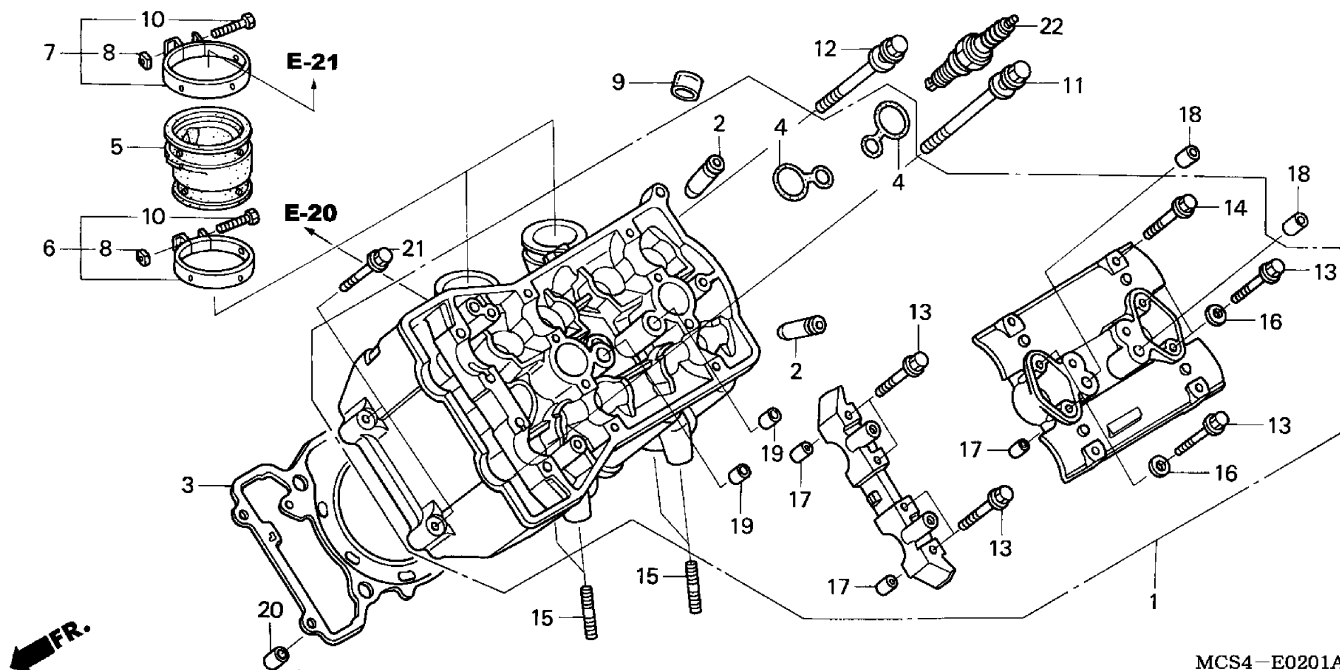
3 =ST1300'03
 3A=ST1300A'03
 4 =ST1300'04
 4A=ST1300A'04

E-2-1

Engine
 Serial Number

Ref	Description	Model	From	To	AREA	QTY	Part Number	H/C
1	CYLINDER HEAD ASSY., L.	3 3A	-----	-----	AC	1	12020-MCS-000	7122724
		4 4A	-----	-----	A	1	12020-MCS-000	7122724
2	GUIDE, VALVE (OS)	3 3A	-----	-----	AC	8	12205-MCS-305	7122732
		4 4A	-----	-----	A	8	12205-MCS-305	7122732
3	GASKET, L. CYLINDER HEAD	3 3A	-----	-----	AC	1	12252-MCS-003	7122765
		4 4A	-----	-----	A	1	12252-MCS-003	7122765
4	GASKET, PLUG HOLE.....	3 3A	-----	-----	AC	2	12395-MCS-000	7122849
		4 4A	-----	-----	A	2	12395-MCS-000	7122849
5	INSULATOR, THROTTLE BODY	3 3A	-----	-----	AC	2	16211-MCS-000	7123649
		4 4A	-----	-----	A	2	16211-MCS-000	7123649
6	BAND A, INSULATOR	3 3A	-----	-----	AC	2	16217-MCS-000	7123656
		4 4A	-----	-----	A	2	16217-MCS-000	7123656
7	BAND B, INSULATOR	3 3A	-----	-----	AC	2	16218-MCS-000	7123664
		4 4A	-----	-----	A	2	16218-MCS-000	7123664
8	NUT, SQUARE (5MM)	3 3A	-----	-----	AC	4	16222-MV4-300	3694882
		4 4A	-----	-----	A	4	16222-MV4-300	3694882
9	TUBE, BRAKE PEDAL SPRING	3 3A	-----	-----	AC	2	46515-MN1-670	2698611
		4 4A	-----	-----	A	2	46515-MN1-670	2698611
10	BOLT, RECESSED (5X28).....	3 3A	-----	-----	AC	4	90005-MAS-E00	5738133
		4 4A	-----	-----	A	4	90005-MAS-E00	5738133
11	BOLT-WASHER (10X105)	3 3A	-----	-----	AC	4	90007-MAT-000	5215983

LEFT CYLINDER HEAD



MCS4-E0201A

MCS4E0201A

3 =ST1300'03
 3A=ST1300A'03
 4 =ST1300'04
 4A=ST1300A'04

E-2-1

 Engine
 Serial Number

Ref	Description	Model	From	To	AREA	QTY	Part Number	H/C
11	BOLT-WASHER (10X105)	4 4A	-----	-----	A	4	90007-MAT-000	5215983
12	BOLT-WASHER (10X90)	3 3A	-----	-----	AC	2	90007-MCS-000	7128556
		4 4A	-----	-----	A	2	90007-MCS-000	7128556
13	BOLT, FLANGE (6X48)	3 3A	-----	-----	AC	8	90018-425-000	0717256
		4 4A	-----	-----	A	8	90018-425-000	0717256
14	BOLT, FLANGE (6X39.5)	3 3A	-----	-----	AC	4	90019-MA6-000	2410504
		4 4A	-----	-----	A	4	90019-MA6-000	2410504
15	BOLT, STUD (8X24).....	3 3A	-----	-----	AC	4	90035-MM5-000	2551794
		4 4A	-----	-----	A	4	90035-MM5-000	2551794
16	WASHER, SEALING (6.5MM)	3 3A	-----	-----	AC	4	90463-ML7-000	2408680
		4 4A	-----	-----	A	4	90463-ML7-000	2408680
17	PIN, DOWEL (8X16).....	3 3A	-----	-----	AC	4	90702-HC4-000	3415064
		4 4A	-----	-----	A	4	90702-HC4-000	3415064
	PIN, DOWEL (8X16).....	3 3A	-----	-----	AC	4	94301-08160	1846997
		4 4A	-----	-----	A	4	94301-08160	1846997
18	PIN A, DOWEL (8X14)	3 3A	-----	-----	AC	2	94301-08140	0069310
		4 4A	-----	-----	A	2	94301-08140	0069310
19	PIN A, DOWEL (10X16)	3 3A	-----	-----	AC	2	94301-10160	0058206
		4 4A	-----	-----	A	2	94301-10160	0058206
20	PIN A, DOWEL (12X20)	3 3A	-----	-----	AC	2	94301-12200	0165324
		4 4A	-----	-----	A	2	94301-12200	0165324

LEFT CYLINDER HEAD

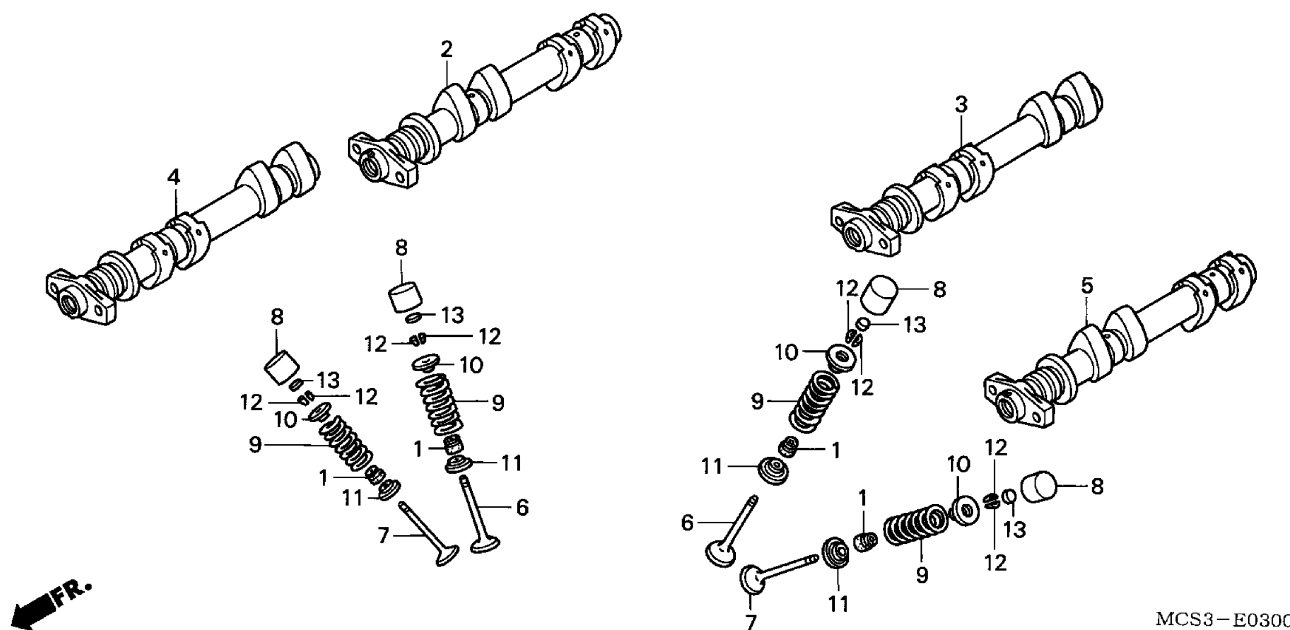
3 =ST1300'03
 3A=ST1300A'03
 4 =ST1300'04
 4A=ST1300A'04

E-2-1

 Engine
 Serial Number

Ref	Description	Model	From	To	AREA	QTY	Part Number	H/C
21	BOLT, FLANGE (6X40)	3 3A	-----	-----	AC	2	95701-06040-00	2410942
		4 4A	-----	-----	A	2	95701-06040-00	2410942
22	SPARK PLUG (CR7EH9) (NGK)	3 3A	-----	-----	AC	2	98059-57916	2909570
		4 4A	-----	-----	A	2	98059-57916	2909570
	SPARK PLUG (U22FER9) (DENSO)	3 3A	-----	-----	AC	2	98059-57926	2909588
		4 4A	-----	-----	A	2	98059-57926	2909588
	SPARK PLUG (CR8EH9) (NGK)	3 3A	-----	-----	AC	(2)	98059-58916	2909596
		4 4A	-----	-----	A	(2)	98059-58916	2909596
	SPARK PLUG (U24FER9) (DENSO)	3 3A	-----	-----	AC	2	98059-58926	2909604
		3 3A	-----	-----	AC	(2)	98059-58926	2909604
		4 4A	-----	-----	A	2	98059-58926	2909604
		4 4A	-----	-----	A	(2)	98059-58926	2909604
	SPARK PLUG (CR9EH9) (NGK)	3 3A	-----	-----	AC	2	98059-59910	2909612
		3 3A	-----	-----	AC	(2)	98059-59910	2909612
		4 4A	-----	-----	A	2	98059-59910	2909612
		4 4A	-----	-----	A	(2)	98059-59910	2909612
	SPARK PLUG (CR9EH9) (NGK)	3 3A	-----	-----	AC	2	98059-59916	2909620
		3 3A	-----	-----	AC	(2)	98059-59916	2909620
		4 4A	-----	-----	A	2	98059-59916	2909620
		4 4A	-----	-----	A	(2)	98059-59916	2909620
	SPARK PLUG (U27FER9) (DENSO)	3 3A	-----	-----	AC	2	98059-59926	2909646
		3 3A	-----	-----	AC	(2)	98059-59926	2909646
		4 4A	-----	-----	A	2	98059-59926	2909646
		4 4A	-----	-----	A	(2)	98059-59926	2909646

CAMSHAFT • VALVE



MCS3-E0300

MCS3E0300

3 =ST1300'03
 3A=ST1300A'03
 4 =ST1300'04
 4A=ST1300A'04

E-3

 Engine
 Serial Number

Ref	Description	Model	From	To	AREA	QTY	Part Number	H/C
1	SEAL, VALVE STEM (NOK).....	3 3A	-----	-----	AC	16	12209-MA6-005	1445543
		4 4A	-----	-----	A	16	12209-MA6-005	1445543
2	CAMSHAFT, R. IN.....	3 3A	-----	-----	AC	1	14110-MCS-010	7123284
		4 4A	-----	-----	A	1	14110-MCS-010	7123284
3	CAMSHAFT, L. IN.....	3 3A	-----	-----	AC	1	14120-MCS-000	7123292
		4 4A	-----	-----	A	1	14120-MCS-000	7123292
4	CAMSHAFT, R. EX.	3 3A	-----	-----	AC	1	14130-MCS-000	7123300
		4 4A	-----	-----	A	1	14130-MCS-000	7123300
5	CAMSHAFT, L. EX.	3 3A	-----	-----	AC	1	14140-MCS-000	7123318
		4 4A	-----	-----	A	1	14140-MCS-000	7123318
6	VALVE, IN.	3 3A	-----	-----	AC	8	14711-MCS-000	7123409
		4 4A	-----	-----	A	8	14711-MCS-000	7123409
7	VALVE, EX.	3 3A	-----	-----	AC	8	14721-MCS-000	7123417
		4 4A	-----	-----	A	8	14721-MCS-000	7123417
8	LIFTER, VALVE	3 3A	-----	-----	AC	16	14731-MT4-000	3465705
		4 4A	-----	-----	A	16	14731-MT4-000	3465705
9	SPRING, VALVE	3 3A	-----	-----	AC	16	14751-MCS-000	7123425
		4 4A	-----	-----	A	16	14751-MCS-000	7123425
10	RETAINER, VALVE SPRING.....	3 3A	-----	-----	AC	16	14771-MAT-000	5212832
		4 4A	-----	-----	A	16	14771-MAT-000	5212832
11	SEAT, VALVE SPRING	3 3A	-----	-----	AC	16	14775-MT3-000	3482601

CAMSHAFT • VALVE

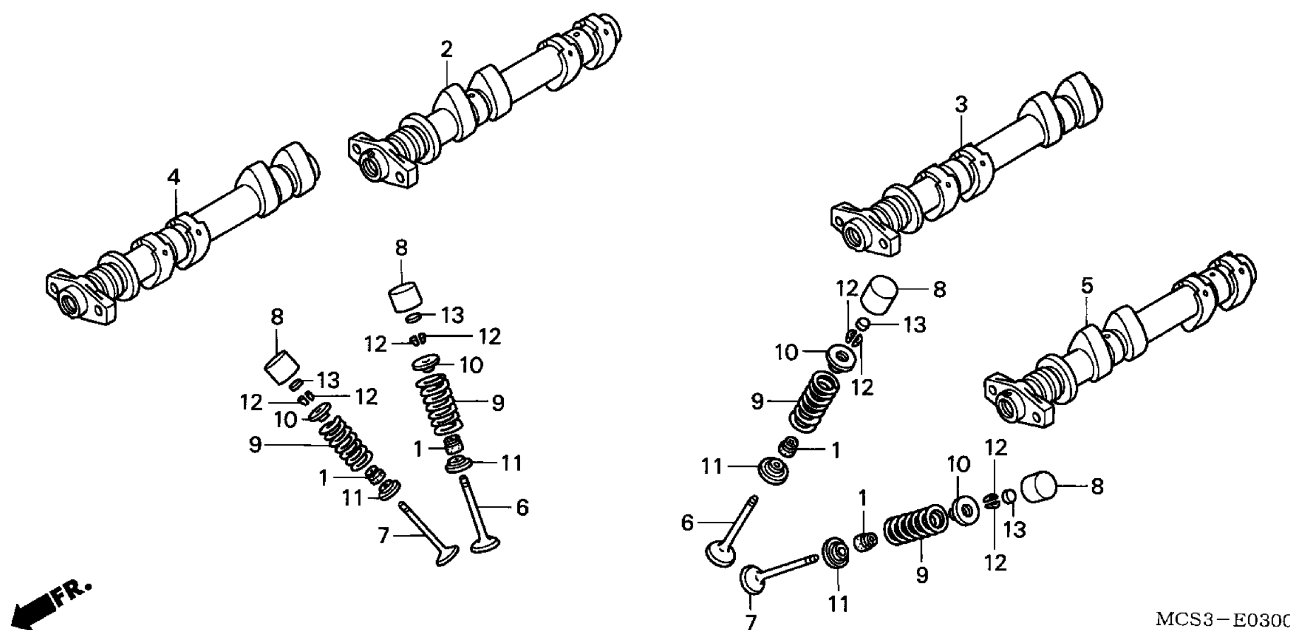
3 =ST1300'03
 3A=ST1300A'03
 4 =ST1300'04
 4A=ST1300A'04

E-3

 Engine
 Serial Number

Ref	Description	Model	From	To	AREA	QTY	Part Number	H/C
11	SEAT, VALVE SPRING	4 4A	-----	-----	A	16	14775-MT3-000	3482601
12	COTTER, VALVE	3 3A	-----	-----	AC	32	14781-MAT-000	5212840
		4 4A	-----	-----	A	32	14781-MAT-000	5212840
13	SHIM, TAPPET (1.200)	3 3A	-----	-----	AC	16	14901-KT7-013	4064283
		4 4A	-----	-----	A	16	14901-KT7-013	4064283
	SHIM, TAPPET (1.225)	3 3A	-----	-----	AC	16	14902-KT7-013	4105565
		4 4A	-----	-----	A	16	14902-KT7-013	4105565
	SHIM, TAPPET (1.250)	3 3A	-----	-----	AC	16	14903-KT7-013	4105573
		4 4A	-----	-----	A	16	14903-KT7-013	4105573
	SHIM, TAPPET (1.275)	3 3A	-----	-----	AC	16	14904-KT7-013	4105581
		4 4A	-----	-----	A	16	14904-KT7-013	4105581
	SHIM, TAPPET (1.300)	3 3A	-----	-----	AC	16	14905-KT7-013	4105599
		4 4A	-----	-----	A	16	14905-KT7-013	4105599
	SHIM, TAPPET (1.325)	3 3A	-----	-----	AC	16	14906-KT7-013	4105607
		4 4A	-----	-----	A	16	14906-KT7-013	4105607
	SHIM, TAPPET (1.350)	3 3A	-----	-----	AC	16	14907-KT7-013	4105615
		4 4A	-----	-----	A	16	14907-KT7-013	4105615
	SHIM, TAPPET (1.375)	3 3A	-----	-----	AC	16	14908-KT7-013	4105623
		4 4A	-----	-----	A	16	14908-KT7-013	4105623
	SHIM, TAPPET (1.400)	3 3A	-----	-----	AC	16	14909-KT7-013	4105631
		4 4A	-----	-----	A	16	14909-KT7-013	4105631
	SHIM, TAPPET (1.425)	3 3A	-----	-----	AC	16	14910-KT7-013	4105649
		4 4A	-----	-----	A	16	14910-KT7-013	4105649
	SHIM, TAPPET (1.450)	3 3A	-----	-----	AC	16	14911-KT7-013	4105656
		4 4A	-----	-----	A	16	14911-KT7-013	4105656
	SHIM, TAPPET (1.475)	3 3A	-----	-----	AC	16	14912-KT7-013	4105664
		4 4A	-----	-----	A	16	14912-KT7-013	4105664
	SHIM, TAPPET (1.500)	3 3A	-----	-----	AC	16	14913-KT7-013	4105672
		4 4A	-----	-----	A	16	14913-KT7-013	4105672
	SHIM, TAPPET (1.525)	3 3A	-----	-----	AC	16	14914-KT7-013	4105680
		4 4A	-----	-----	A	16	14914-KT7-013	4105680
	SHIM, TAPPET (1.550)	3 3A	-----	-----	AC	16	14915-KT7-013	4105698
		4 4A	-----	-----	A	16	14915-KT7-013	4105698
	SHIM, TAPPET (1.575)	3 3A	-----	-----	AC	16	14916-KT7-013	4105706
		4 4A	-----	-----	A	16	14916-KT7-013	4105706
	SHIM, TAPPET (1.600)	3 3A	-----	-----	AC	16	14917-KT7-013	4105714
		4 4A	-----	-----	A	16	14917-KT7-013	4105714
	SHIM, TAPPET (1.625)	3 3A	-----	-----	AC	16	14918-KT7-013	4105722
		4 4A	-----	-----	A	16	14918-KT7-013	4105722
	SHIM, TAPPET (1.650)	3 3A	-----	-----	AC	16	14919-KT7-013	4105730

CAMSHAFT • VALVE



MCS3-E0300

MCS3E0300

3 =ST1300'03
 3A=ST1300A'03
 4 =ST1300'04
 4A=ST1300A'04

E-3

 Engine
 Serial Number

Ref	Description	Model	From	To	AREA	QTY	Part Number	H/C
13	SHIM, TAPPET (1.650)	4 4A	-----	-----	A	16	14919-KT7-013	4105730
	SHIM, TAPPET (1.675)	3 3A	-----	-----	AC	16	14920-KT7-013	4105748
		4 4A	-----	-----	A	16	14920-KT7-013	4105748
	SHIM, TAPPET (1.700)	3 3A	-----	-----	AC	16	14921-KT7-013	4105755
		4 4A	-----	-----	A	16	14921-KT7-013	4105755
	SHIM, TAPPET (1.725)	3 3A	-----	-----	AC	16	14922-KT7-013	4105763
		4 4A	-----	-----	A	16	14922-KT7-013	4105763
	SHIM, TAPPET (1.750)	3 3A	-----	-----	AC	16	14923-KT7-013	4105771
		4 4A	-----	-----	A	16	14923-KT7-013	4105771
	SHIM, TAPPET (1.775)	3 3A	-----	-----	AC	16	14924-KT7-013	4105789
		4 4A	-----	-----	A	16	14924-KT7-013	4105789
	SHIM, TAPPET (1.800)	3 3A	-----	-----	AC	16	14925-KT7-013	4105797
		4 4A	-----	-----	A	16	14925-KT7-013	4105797
	SHIM, TAPPET (1.825)	3 3A	-----	-----	AC	16	14926-KT7-013	4105805
		4 4A	-----	-----	A	16	14926-KT7-013	4105805
	SHIM, TAPPET (1.850)	3 3A	-----	-----	AC	16	14927-KT7-013	4105813
		4 4A	-----	-----	A	16	14927-KT7-013	4105813
	SHIM, TAPPET (1.875)	3 3A	-----	-----	AC	16	14928-KT7-013	4105821
		4 4A	-----	-----	A	16	14928-KT7-013	4105821
	SHIM, TAPPET (1.900)	3 3A	-----	-----	AC	16	14929-KT7-013	4105839
		4 4A	-----	-----	A	16	14929-KT7-013	4105839

CAMSHAFT • VALVE

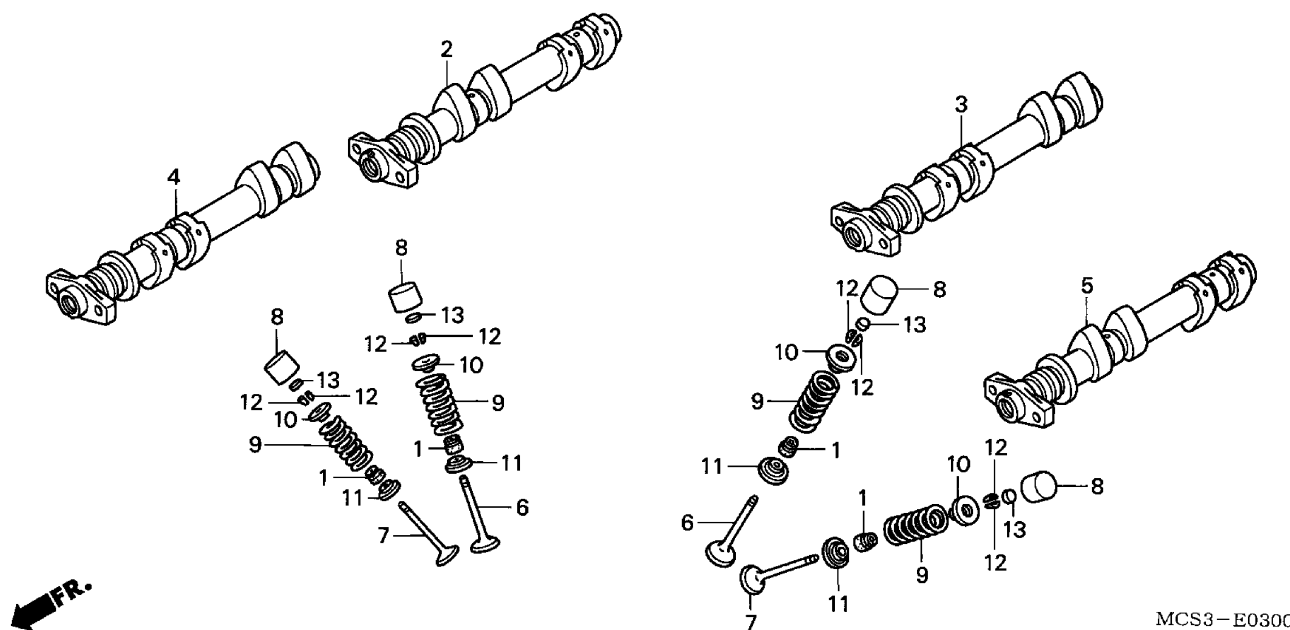
3 =ST1300'03
 3A=ST1300A'03
 4 =ST1300'04
 4A=ST1300A'04

E-3

 Engine
 Serial Number

Ref	Description	Model	From	To	AREA	QTY	Part Number	H/C
13	SHIM, TAPPET (1.925)	3 3A	-----	-----	AC	16	14930-KT7-013	4105847
		4 4A	-----	-----	A	16	14930-KT7-013	4105847
	SHIM, TAPPET (1.950)	3 3A	-----	-----	AC	16	14931-KT7-013	4105854
		4 4A	-----	-----	A	16	14931-KT7-013	4105854
	SHIM, TAPPET (1.975)	3 3A	-----	-----	AC	16	14932-KT7-013	4105862
		4 4A	-----	-----	A	16	14932-KT7-013	4105862
	SHIM, TAPPET (2.000)	3 3A	-----	-----	AC	16	14933-KT7-013	4105870
		4 4A	-----	-----	A	16	14933-KT7-013	4105870
	SHIM, TAPPET (2.025)	3 3A	-----	-----	AC	16	14934-KT7-013	4105888
		4 4A	-----	-----	A	16	14934-KT7-013	4105888
	SHIM, TAPPET (2.050)	3 3A	-----	-----	AC	16	14935-KT7-013	4105896
		4 4A	-----	-----	A	16	14935-KT7-013	4105896
	SHIM, TAPPET (2.075)	3 3A	-----	-----	AC	16	14936-KT7-013	4105904
		4 4A	-----	-----	A	16	14936-KT7-013	4105904
	SHIM, TAPPET (2.100)	3 3A	-----	-----	AC	16	14937-KT7-013	4105912
		4 4A	-----	-----	A	16	14937-KT7-013	4105912
	SHIM, TAPPET (2.125)	3 3A	-----	-----	AC	16	14938-KT7-013	4105920
		4 4A	-----	-----	A	16	14938-KT7-013	4105920
	SHIM, TAPPET (2.150)	3 3A	-----	-----	AC	16	14939-KT7-013	4105938
		4 4A	-----	-----	A	16	14939-KT7-013	4105938
	SHIM, TAPPET (2.175)	3 3A	-----	-----	AC	16	14940-KT7-013	4105946
		4 4A	-----	-----	A	16	14940-KT7-013	4105946
	SHIM, TAPPET (2.200)	3 3A	-----	-----	AC	16	14941-KT7-013	4105953
		4 4A	-----	-----	A	16	14941-KT7-013	4105953
	SHIM, TAPPET (2.225)	3 3A	-----	-----	AC	16	14942-KT7-013	4105961
		4 4A	-----	-----	A	16	14942-KT7-013	4105961
	SHIM, TAPPET (2.250)	3 3A	-----	-----	AC	16	14943-KT7-013	4105979
		4 4A	-----	-----	A	16	14943-KT7-013	4105979
	SHIM, TAPPET (2.275)	3 3A	-----	-----	AC	16	14944-KT7-013	4105987
		4 4A	-----	-----	A	16	14944-KT7-013	4105987
	SHIM, TAPPET (2.300)	3 3A	-----	-----	AC	16	14945-KT7-013	4105995
		4 4A	-----	-----	A	16	14945-KT7-013	4105995
	SHIM, TAPPET (2.325)	3 3A	-----	-----	AC	16	14946-KT7-013	4106001
		4 4A	-----	-----	A	16	14946-KT7-013	4106001
	SHIM, TAPPET (2.350)	3 3A	-----	-----	AC	16	14947-KT7-013	4106019
		4 4A	-----	-----	A	16	14947-KT7-013	4106019
	SHIM, TAPPET (2.375)	3 3A	-----	-----	AC	16	14948-KT7-013	4106027
		4 4A	-----	-----	A	16	14948-KT7-013	4106027
	SHIM, TAPPET (2.400)	3 3A	-----	-----	AC	16	14949-KT7-013	4106035
		4 4A	-----	-----	A	16	14949-KT7-013	4106035

CAMSHAFT • VALVE



MCS3-E0300

MCS3E0300

3 =ST1300'03
 3A=ST1300A'03
 4 =ST1300'04
 4A=ST1300A'04

E-3

 Engine
 Serial Number

Ref	Description	Model	From	To	AREA	QTY	Part Number	H/C
13	SHIM, TAPPET (2.425)	3 3A	-----	-----	AC	16	14950-KT7-013	4106043
		4 4A	-----	-----	A	16	14950-KT7-013	4106043
	SHIM, TAPPET (2.450)	3 3A	-----	-----	AC	16	14951-KT7-013	4106050
		4 4A	-----	-----	A	16	14951-KT7-013	4106050
	SHIM, TAPPET (2.475)	3 3A	-----	-----	AC	16	14952-KT7-013	4106068
		4 4A	-----	-----	A	16	14952-KT7-013	4106068
	SHIM, TAPPET (2.500)	3 3A	-----	-----	AC	16	14953-KT7-013	4106076
		4 4A	-----	-----	A	16	14953-KT7-013	4106076
	SHIM, TAPPET (2.525)	3 3A	-----	-----	AC	16	14954-KT7-013	4106084
		4 4A	-----	-----	A	16	14954-KT7-013	4106084
	SHIM, TAPPET (2.550)	3 3A	-----	-----	AC	16	14955-KT7-013	4106092
		4 4A	-----	-----	A	16	14955-KT7-013	4106092
	SHIM, TAPPET (2.575)	3 3A	-----	-----	AC	16	14956-KT7-013	4106100
		4 4A	-----	-----	A	16	14956-KT7-013	4106100
	SHIM, TAPPET (2.600)	3 3A	-----	-----	AC	16	14957-KT7-013	4106118
		4 4A	-----	-----	A	16	14957-KT7-013	4106118
	SHIM, TAPPET (2.625)	3 3A	-----	-----	AC	16	14958-KT7-013	4106126
		4 4A	-----	-----	A	16	14958-KT7-013	4106126
	SHIM, TAPPET (2.650)	3 3A	-----	-----	AC	16	14959-KT7-013	4106134
		4 4A	-----	-----	A	16	14959-KT7-013	4106134
	SHIM, TAPPET (2.675)	3 3A	-----	-----	AC	16	14960-KT7-013	4106142

CAMSHAFT • VALVE

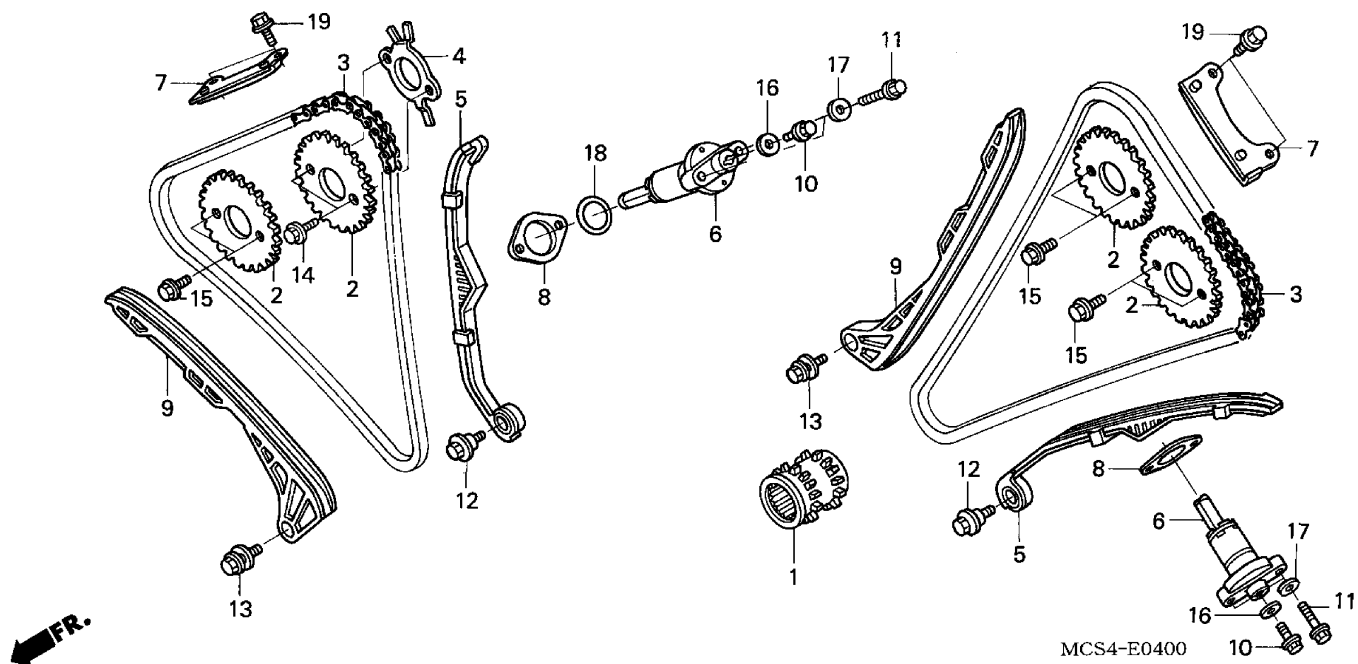
3 =ST1300'03
 3A=ST1300A'03
 4 =ST1300'04
 4A=ST1300A'04

E-3

 Engine
 Serial Number

Ref	Description	Model	From	To	AREA	QTY	Part Number	H/C
13	SHIM, TAPPET (2.675)	4 4A	-----	-----	A	16	14960-KT7-013	4106142
	SHIM, TAPPET (2.700)	3 3A	-----	-----	AC	16	14961-KT7-013	4106159
		4 4A	-----	-----	A	16	14961-KT7-013	4106159
	SHIM, TAPPET (2.725)	3 3A	-----	-----	AC	16	14962-KT7-013	4106167
		4 4A	-----	-----	A	16	14962-KT7-013	4106167
	SHIM, TAPPET (2.750)	3 3A	-----	-----	AC	16	14963-KT7-013	4106175
		4 4A	-----	-----	A	16	14963-KT7-013	4106175
	SHIM, TAPPET (2.775)	3 3A	-----	-----	AC	16	14964-KT7-013	4106183
		4 4A	-----	-----	A	16	14964-KT7-013	4106183
	SHIM, TAPPET (2.800)	3 3A	-----	-----	AC	16	14965-KT7-013	4106191
		4 4A	-----	-----	A	16	14965-KT7-013	4106191
	SHIM, TAPPET (2.825)	3 3A	-----	-----	AC	16	14966-KT7-013	3916574
		4 4A	-----	-----	A	16	14966-KT7-013	3916574
	SHIM, TAPPET (2.850)	3 3A	-----	-----	AC	16	14967-KT7-013	3916590
		4 4A	-----	-----	A	16	14967-KT7-013	3916590
	SHIM, TAPPET (2.875)	3 3A	-----	-----	AC	16	14968-KT7-013	3916608
		4 4A	-----	-----	A	16	14968-KT7-013	3916608
	SHIM, TAPPET (2.900)	3 3A	-----	-----	AC	16	14969-KT7-013	4106209
		4 4A	-----	-----	A	16	14969-KT7-013	4106209

CAM CHAIN • TENSIONER



MCS4E0400

3 =ST1300'03
 3A=ST1300A'03
 4 =ST1300'04
 4A=ST1300A'04

E-4

 Engine
 Serial Number

Ref	Description	Model	From	To	AREA	QTY	Part Number	H/C
1	SPROCKET, TIMING (19T)	3 3A	-----	-----	AC	1	14312-MCS-000	7123326
		4 4A	-----	-----	A	1	14312-MCS-000	7123326
2	SPROCKET, CAM (38T)	3 3A	-----	-----	AC	4	14321-MCS-000	7123334
		4 4A	-----	-----	A	4	14321-MCS-000	7123334
3	CHAIN, CAM (138L) (BORG WARNER)	3 3A	-----	-----	AC	2	14401-MCT-003	6958326
		4 4A	-----	-----	A	2	14401-MCT-003	6958326
4	ROTOR, CAM PULSE	3 3A	-----	-----	AC	1	14405-MCS-000	7123342
		4 4A	-----	-----	A	1	14405-MCS-000	7123342
5	TENSIONER, CAM CHAIN.....	3 3A	-----	-----	AC	2	14510-MCS-000	7123359
		4 4A	-----	-----	A	2	14510-MCS-000	7123359
6	LIFTER, TENSIONER	3 3A	-----	-----	AC	2	14520-MCS-003	7123367
		4 4A	-----	-----	A	2	14520-MCS-003	7123367
7	GUIDE B, CAM CHAIN.....	3 3A	-----	-----	AC	2	14546-MCS-000	7123375
		4 4A	-----	-----	A	2	14546-MCS-000	7123375
8	GASKET, TENSIONER LIFTER.....	3 3A	-----	-----	AC	2	14560-MCS-003	7123383
		4 4A	-----	-----	A	2	14560-MCS-003	7123383
9	GUIDE, CAM CHAIN	3 3A	-----	-----	AC	2	14620-MCS-000	7123391
		4 4A	-----	-----	A	2	14620-MCS-000	7123391
10	BOLT, FLANGE (6X10) (NSHF).....	3 3A	-----	-----	AC	2	90004-GHB-600	4938304
		4 4A	-----	-----	A	2	90004-GHB-600	4938304
11	BOLT, FLANGE (6X25) (NSHF).....	3 3A	-----	-----	AC	4	90004-GHB-670	4774170

CAM CHAIN • TENSIONER

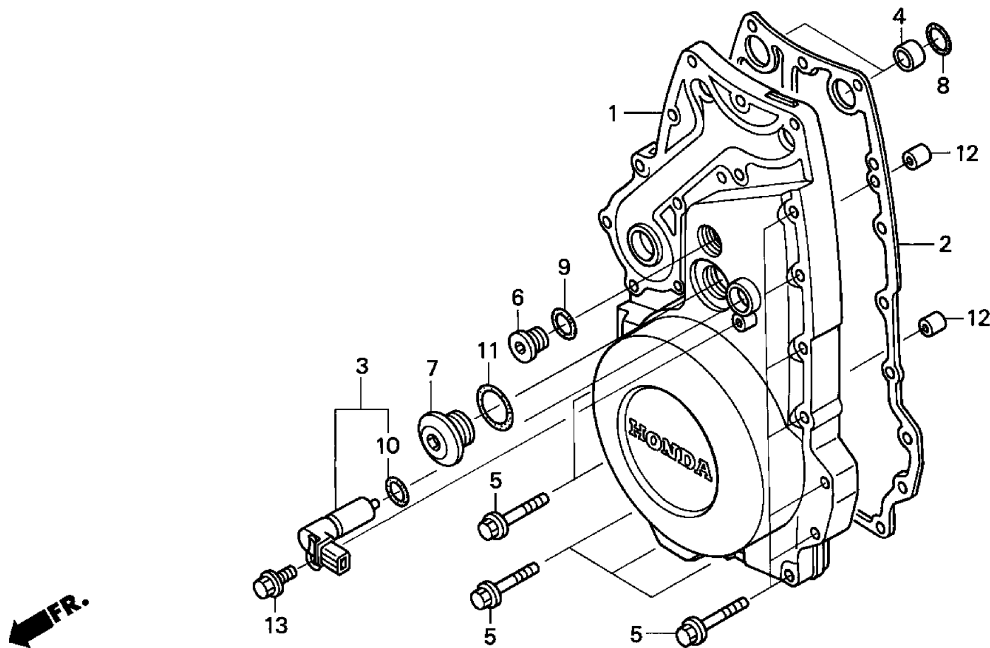
3 =ST1300'03
 3A=ST1300A'03
 4 =ST1300'04
 4A=ST1300A'04

E-4

 Engine
 Serial Number

Ref	Description	Model	From	To	AREA	QTY	Part Number	H/C
11	BOLT, FLANGE (6X25) (NSHF).....	4 4A	-----	-----	A	4	90004-GHB-670	4774170
12	BOLT, TENSIONER PIVOT	3 3A	-----	-----	AC	2	90011-MCS-000	7128564
		4 4A	-----	-----	A	2	90011-MCS-000	7128564
13	BOLT-WASHER (6X12)	3 3A	-----	-----	AC	2	90021-MM5-000	2551760
		4 4A	-----	-----	A	2	90021-MM5-000	2551760
14	BOLT, UBS (7X15).....	3 3A	-----	-----	AC	2	90026-MM8-000	2566990
		4 4A	-----	-----	A	2	90026-MM8-000	2566990
15	BOLT, SPECIAL FLANGE (7X13)	3 3A	-----	-----	AC	6	90086-MZ8-H00	5825823
		4 4A	-----	-----	A	6	90086-MZ8-H00	5825823
16	WASHER, SEALING (6MM).....	3 3A	-----	-----	AC	2	90442-397-000	0687616
		4 4A	-----	-----	A	2	90442-397-000	0687616
17	WASHER, SEALING	3 3A	-----	-----	AC	4	90488-425-000	0742833
		4 4A	-----	-----	A	4	90488-425-000	0742833
18	O-RING (23X2.4)	3 3A	-----	-----	AC	1	91304-GC8-003	1452002
		4 4A	-----	-----	A	1	91304-GC8-003	1452002
19	BOLT, FLANGE (6X14)	3 3A	-----	-----	AC	4	95701-06014-00	2410884
		4 4A	-----	-----	A	4	95701-06014-00	2410884

FRONT CRANKCASE COVER



MCS3-E0500

MCS3E0500

3 =ST1300'03
3A=ST1300A'03
4 =ST1300'04
4A=ST1300A'04

E-5

Engine
Serial Number

Ref	Description	Model	From	To	AREA	QTY	Part Number	H/C
1	COVER, FR. CRANKCASE	3 3A	-----	-----	AC	1	11341-MCS-010	7122690
		4 4A	-----	-----	A	1	11341-MCS-010	7122690
2	GASKET, FR. CRANKCASE COVER	3 3A	-----	-----	AC	1	11394-MCS-000	7122708
		4 4A	-----	-----	A	1	11394-MCS-000	7122708
3	GENERATOR ASSY., PULSE	3 3A	-----	-----	AC	1	30300-MCS-003	7125065
		4 4A	-----	-----	A	1	30300-MCS-003	7125065
4	COLLAR, FR. FORK (OUTER).....	3 3A	-----	-----	AC	2	51486-087-711	5317961
		4 4A	-----	-----	A	2	51486-087-711	5317961
5	BOLT, FLANGE (6X40) (NSHF).....	3 3A	-----	-----	AC	12	90004-GHB-710	4774212
		4 4A	-----	-----	A	12	90004-GHB-710	4774212
6	CAP (14MM).....	3 3A	-----	-----	AC	1	90084-KY2-000	3117728
		4 4A	-----	-----	A	1	90084-KY2-000	3117728
7	CAP (30MM).....	3 3A	-----	-----	AC	1	90087-KT7-000	2544542
		4 4A	-----	-----	A	1	90087-KT7-000	2544542
8	O-RING (19.9X3.1).....	3 3A	-----	-----	AC	2	91301-MCF-000	6431662
		4 4A	-----	-----	A	2	91301-MCF-000	6431662
9	O-RING (13.8X2.5).....	3 3A	-----	-----	AC	1	91303-377-000	0499525
		4 4A	-----	-----	A	1	91303-377-000	0499525
10	O-RING (16X2.1)	3 3A	-----	-----	AC	1	91309-PX4-003	3301793
		4 4A	-----	-----	A	1	91309-PX4-003	3301793
11	O-RING (30MM)	3 3A	-----	-----	AC	1	91356-425-003	1718485

FRONT CRANKCASE COVER

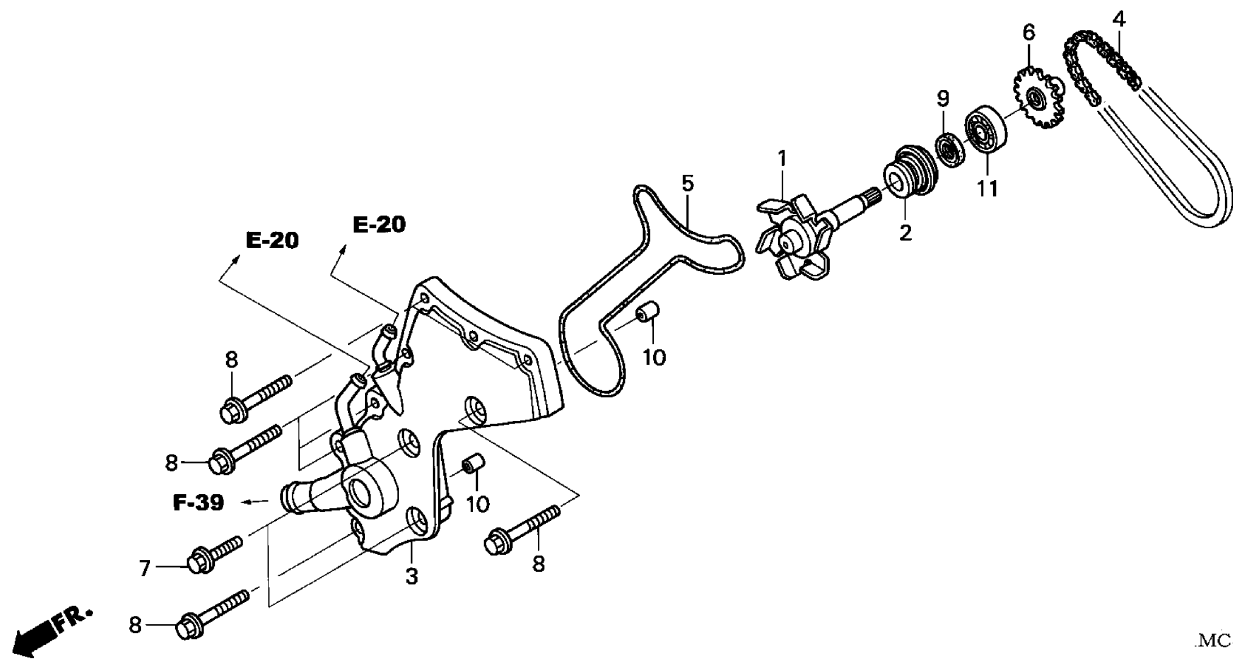
3 =ST1300'03
 3A=ST1300A'03
 4 =ST1300'04
 4A=ST1300A'04

E-5

 Engine
 Serial Number

Ref	Description	Model	From	To	AREA	QTY	Part Number	H/C
11	O-RING (30MM)	4 4A	-----	-----	A	1	91356-425-003	1718485
	O-RING (29.7X2.4) (NOK)	3 3A	-----	-----	AC	1	91356-425-005	1702943
		4 4A	-----	-----	A	1	91356-425-005	1702943
12	PIN A, DOWEL (8X14)	3 3A	-----	-----	AC	2	94301-08140	0069310
		4 4A	-----	-----	A	2	94301-08140	0069310
13	BOLT, FLANGE (6X18)	3 3A	-----	-----	AC	1	95700-06018-00	0481184
		4 4A	-----	-----	A	1	95700-06018-00	0481184
	BOLT, FLANGE (6X18)	3 3A	-----	-----	AC	1	95701-06018-00	2410900
		4 4A	-----	-----	A	1	95701-06018-00	2410900

WATER PUMP



MCS3-E0600

MCS3E0600

3 =ST1300'03 3A=ST1300A'03 4 =ST1300'04 4A=ST1300A'04	E-6	
Engine Serial Number		

Ref	Description	Model	From	To	AREA	QTY	Part Number	H/C
1	IMPELLER, WATER PUMP	3 3A	-----	-----	AC	1	19210-MCS-000	7124266
		4 4A	-----	-----	A	1	19210-MCS-000	7124266
2	SEAL, MECHANICAL	3 3A	-----	-----	AC	1	19217-MAL-300	5362751
		4 4A	-----	-----	A	1	19217-MAL-300	5362751
3	COVER, WATER PUMP.....	3 3A	-----	-----	AC	1	19220-MCS-010	7124274
		4 4A	-----	-----	A	1	19220-MCS-010	7124274
4	CHAIN, WATER PUMP DRIVE	3 3A	-----	-----	AC	1	19225-MCS-003	7124282
		4 4A	-----	-----	A	1	19225-MCS-003	7124282
5	GASKET, WATER PUMP	3 3A	-----	-----	AC	1	19226-MCS-000	7124290
		4 4A	-----	-----	A	1	19226-MCS-000	7124290
6	SPROCKET, WATER PUMP DRIVEN (20T)	3 3A	-----	-----	AC	1	19240-MCS-000	7124316
		4 4A	-----	-----	A	1	19240-MCS-000	7124316
7	BOLT, FLANGE (6X28) (NSHF).....	3 3A	-----	-----	AC	2	90004-GHB-680	4774188
		4 4A	-----	-----	A	2	90004-GHB-680	4774188
8	BOLT, FLANGE (6X40) (NSHF).....	3 3A	-----	-----	AC	8	90004-GHB-710	4774212
		4 4A	-----	-----	A	8	90004-GHB-710	4774212
9	OIL SEAL (12X22X5)	3 3A	-----	-----	AC	1	91201-148-003	0665653
		4 4A	-----	-----	A	1	91201-148-003	0665653
	OIL SEAL (12X22X5)	3 3A	-----	-----	AC	1	91201-965-000	1404771
		4 4A	-----	-----	A	1	91201-965-000	1404771
10	PIN A, DOWEL (8X14)	3 3A	-----	-----	AC	2	94301-08140	0069310

WATER PUMP

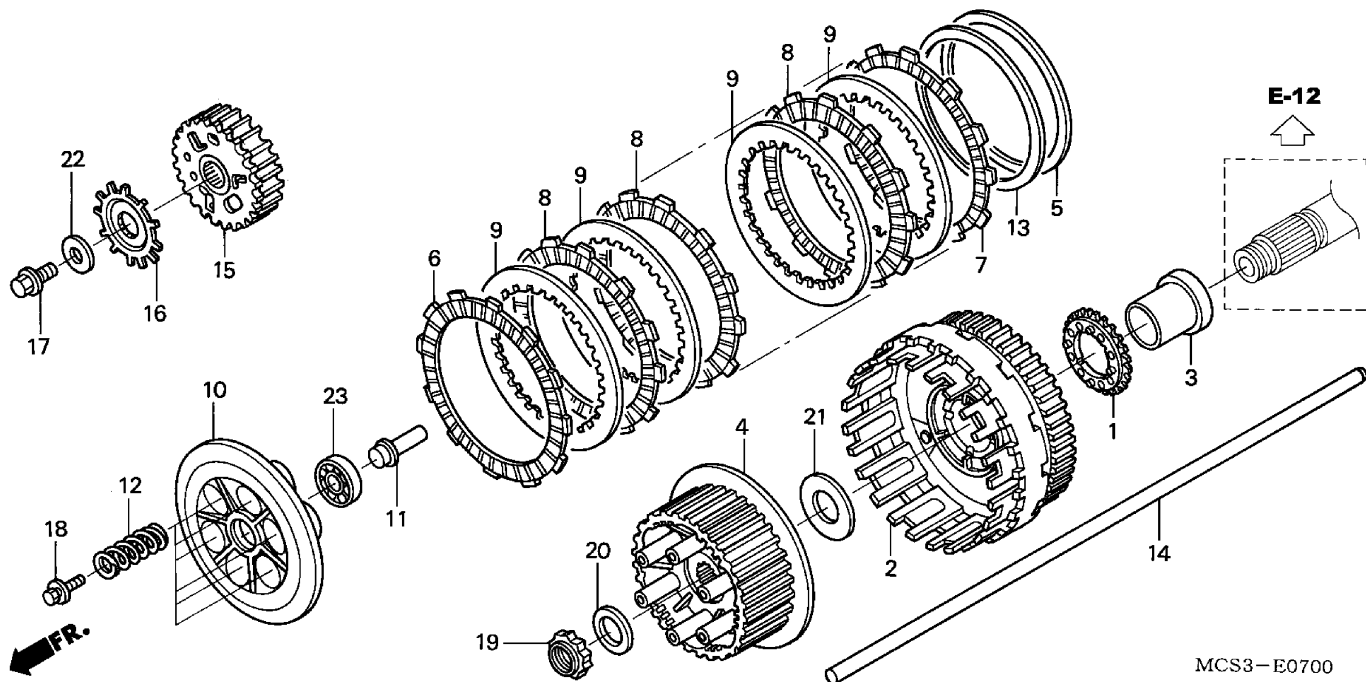
3 =ST1300'03
 3A=ST1300A'03
 4 =ST1300'04
 4A=ST1300A'04

E-6

Engine
 Serial Number

Ref	Description	Model	From	To	AREA	QTY	Part Number	H/C
10	PIN A, DOWEL (8X14)	4 4A	-----	-----	A	2	94301-08140	0069310
11	BEARING, RADIAL BALL (6200)	3 3A	-----	-----	AC	1	96100-62003-00	5365705
		4 4A	-----	-----	A	1	96100-62003-00	5365705

CLUTCH



MCS3-E0700

MCS3E0700

3 =ST1300'03
 3A=ST1300A'03
 4 =ST1300'04
 4A=ST1300A'04

E-7

 Engine
 Serial Number

Ref	Description	Model	From	To	AREA	QTY	Part Number	H/C
1	SPROCKET, WATER PUMP DRIVE (33T)	3 3A	-----	-----	AC	1	19230-MCS-000	7124308
		4 4A	-----	-----	A	1	19230-MCS-000	7124308
2	CLUTCH OUTER	3 3A	-----	-----	AC	1	22100-MCS-000	7124548
		4 4A	-----	-----	A	1	22100-MCS-000	7124548
3	COLLAR, CLUTCH (OUTER)..... COLLAR, CLUTCH (OUTER).....	3 3A	-----	-----	AC	1	22116-MCS-000	7124555
		4 4A	-----	-----	A	1	22116-MCS-700	7682800
4	CENTER, CLUTCH	3 3A	-----	-----	AC	1	22120-MCS-000	7124563
		4 4A	-----	-----	A	1	22120-MCS-000	7124563
5	SEAT, JUDDER SPRING.....	3 3A	-----	-----	AC	1	22125-MAT-000	5213707
		4 4A	-----	-----	A	1	22125-MAT-000	5213707
6	DISK, CLUTCH FRICTION.....	3 3A	-----	-----	AC	1	22201-MCA-000	6618490
		4 4A	-----	-----	A	1	22201-MCA-000	6618490
7	DISK B, CLUTCH FRICTION	3 3A	-----	-----	AC	1	22202-MCS-000	7124571
		4 4A	-----	-----	A	1	22202-MCS-000	7124571
8	DISK A, CLUTCH FRICTION	3 3A	-----	-----	AC	6	22203-MCA-000	6618516
		4 4A	-----	-----	A	6	22203-MCA-000	6618516
9	PLATE A, CLUTCH	3 3A	-----	-----	AC	7	22321-MN5-000	2804706
		4 4A	-----	-----	A	7	22321-MN5-000	2804706
10	PLATE, CLUTCH PRESSURE.....	3 3A	-----	-----	AC	1	22350-MCH-000	6702047
		4 4A	-----	-----	A	1	22350-MCH-000	6702047
11	PIECE, CLUTCH JOINT.....	3 3A	-----	-----	AC	1	22366-MS2-611	3373362

CLUTCH

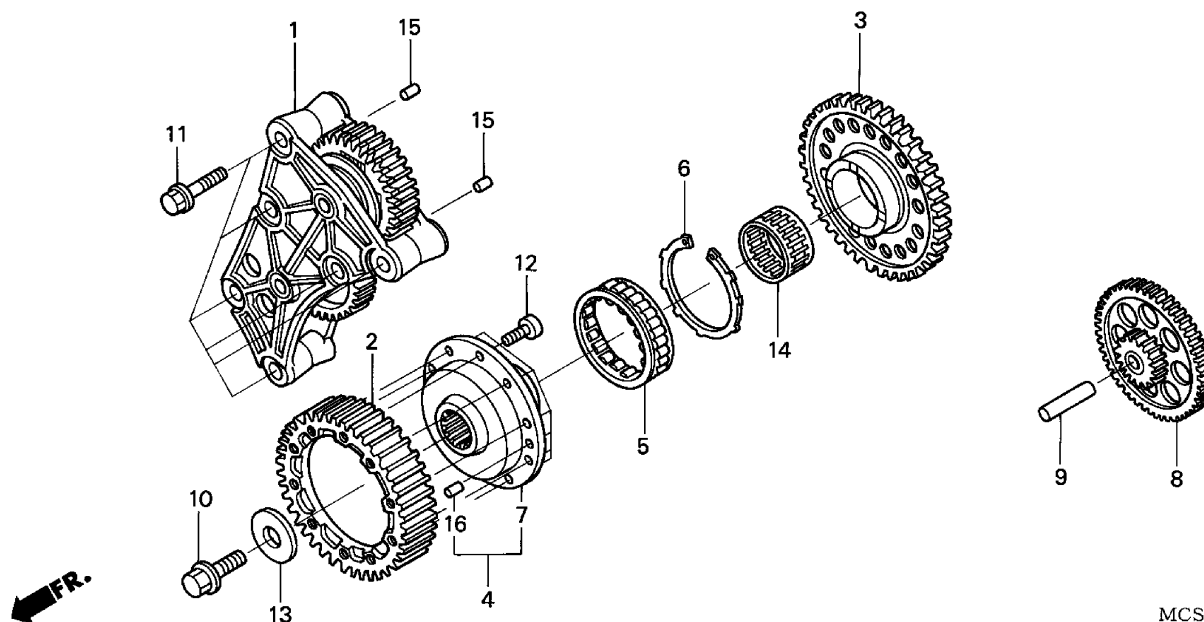
3 =ST1300'03
 3A=ST1300A'03
 4 =ST1300'04
 4A=ST1300A'04

E-7

 Engine
 Serial Number

Ref	Description	Model	From	To	AREA	QTY	Part Number	H/C
11	PIECE, CLUTCH JOINT	4 4A	-----	-----	A	1	22366-MS2-611	3373362
12	SPRING, CLUTCH	3 3A	-----	-----	AC	6	22401-MCS-000	7124589
		4 4A	-----	-----	A	6	22401-MCS-000	7124589
13	SPRING, JUDDER	3 3A	-----	-----	AC	1	22402-MAT-000	5213772
		4 4A	-----	-----	A	1	22402-MAT-000	5213772
14	ROD, CLUTCH LIFTER	3 3A	-----	-----	AC	1	22851-MCS-000	7124597
		4 4A	-----	-----	A	1	22851-MCS-000	7124597
15	GEAR ASSY., PRIMARY DRIVE (42T)	3 3A	-----	-----	AC	1	23100-MCS-000	7124670
		4 4A	-----	-----	A	1	23100-MCS-000	7124670
16	ROTOR, PULSER	3 3A	-----	-----	AC	1	30291-MCS-000	7125057
		4 4A	-----	-----	A	1	30291-MCS-000	7125057
17	BOLT, FLANGE (12X30)	3 3A	-----	-----	AC	1	90005-MN5-000	2810570
		4 4A	-----	-----	A	1	90005-MN5-000	2810570
18	BOLT-WASHER (6X35)	3 3A	-----	-----	AC	6	90022-MAT-E00	6114482
		4 4A	-----	-----	A	6	90022-MAT-E00	6114482
19	NUT, LOCK (25MM)	3 3A	-----	-----	AC	1	90231-MS2-610	3377561
		4 4A	-----	-----	A	1	90231-MS2-610	3377561
20	WASHER (25.1X37X5).....	3 3A	-----	-----	AC	1	90401-MBB-000	5365531
		4 4A	-----	-----	A	1	90401-MBB-000	5365531
21	WASHER, THRUST (28.2X56X2)	3 3A	-----	-----	AC	1	90401-MS2-610	3377603
		4 4A	-----	-----	A	1	90401-MS2-610	3377603
22	WASHER (12.5X36X6).....	3 3A	-----	-----	AC	1	90402-MBB-000	5365549
		4 4A	-----	-----	A	1	90402-MBB-000	5365549
23	BEARING, RADIAL BALL (16003)	3 3A	-----	-----	AC	1	91008-KK6-000	2043123
		4 4A	-----	-----	A	1	91008-KK6-000	2043123
	BEARING, RADIAL BALL (16003)	3 3A	-----	-----	AC	1	91008-362-000	0334854
		4 4A	-----	-----	A	1	91008-362-000	0334854
	BEARING, RADIAL BALL (16003)	3 3A	-----	-----	AC	1	91010-HC0-003	2519544
		4 4A	-----	-----	A	1	91010-HC0-003	2519544
	BEARING, RADIAL BALL (16003)	3 3A	-----	-----	AC	1	91011-KK6-013	5017322
		4 4A	-----	-----	A	1	91011-KK6-013	5017322

STARTING CLUTCH



MCS3-E0800

MCS3E0800

3 =ST1300'03
 3A=ST1300A'03
 4 =ST1300'04
 4A=ST1300A'04

E-8

 Engine
 Serial Number

Ref	Description	Model	From	To	AREA	QTY	Part Number	H/C
1	GEAR TRAIN	3 3A	-----	-----	AC	1	13320-MCS-010	7123144
		4 4A	-----	-----	A	1	13320-MCS-010	7123144
2	GEAR, ALTERNATOR DRIVE (60T)	3 3A	-----	-----	AC	1	13321-MCS-000	7123151
		4 4A	-----	-----	A	1	13321-MCS-000	7123151
3	GEAR, STARTING DRIVEN (48T)	3 3A	-----	-----	AC	1	28110-MCS-000	7124993
		4 4A	-----	-----	A	1	28110-MCS-000	7124993
4	CLUTCH OUTER, STARTING	3 3A	-----	-----	AC	1	28120-MCS-000	7125008
		4 4A	-----	-----	A	1	28120-MCS-000	7125008
5	CLUTCH, ONE-WAY	3 3A	-----	-----	AC	1	28126-MN5-004	7125016
		4 4A	-----	-----	A	1	28126-MN5-004	7125016
6	RING, FRICTION	3 3A	-----	-----	AC	1	28127-MN5-004	7125024
		4 4A	-----	-----	A	1	28127-MN5-004	7125024
7	CLUTCH OUTER, STARTING	3 3A	-----	-----	AC	1	28128-MCS-000	7125032
		4 4A	-----	-----	A	1	28128-MCS-000	7125032
8	GEAR, STARTER REDUCTION (15T/91T)	3 3A	-----	-----	AC	1	28130-MCS-010	7125040
		4 4A	-----	-----	A	1	28130-MCS-010	7125040
9	SHAFT, REDUCTION GEAR	3 3A	-----	-----	AC	1	28132-KN6-930	2917490
		4 4A	-----	-----	A	1	28132-KN6-930	2917490
10	BOLT, FLANGE (12X30)	3 3A	-----	-----	AC	1	90005-MN5-000	2810570
		4 4A	-----	-----	A	1	90005-MN5-000	2810570
11	BOLT A, MOUNTING BRACKET	3 3A	-----	-----	AC	6	90008-PR3-000	3167319

STARTING CLUTCH

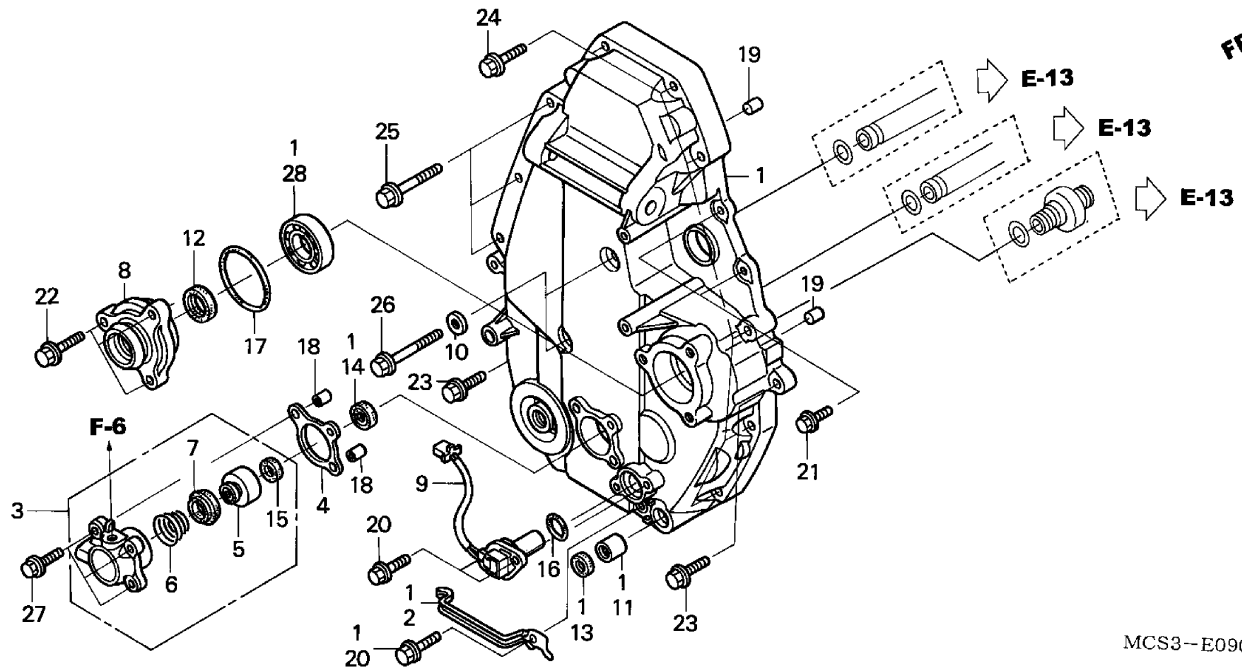
3 =ST1300'03
 3A=ST1300A'03
 4 =ST1300'04
 4A=ST1300A'04

E-8

Engine
 Serial Number

Ref	Description	Model	From	To	AREA	QTY	Part Number	H/C
11	BOLT A, MOUNTING BRACKET	4 4A	-----	-----	A	6	90008-PR3-000	3167319
12	BOLT, TORX (6MM).....	3 3A	-----	-----	AC	10	90085-MCS-000	7128598
		4 4A	-----	-----	A	10	90085-MCS-000	7128598
13	WASHER (12.5X36X6).....	3 3A	-----	-----	AC	1	90402-MBB-000	5365549
		4 4A	-----	-----	A	1	90402-MBB-000	5365549
14	BEARING, NEEDLE (36X41X18.3)	3 3A	-----	-----	AC	1	91027-MCS-003	7128994
		4 4A	-----	-----	A	1	91027-MCS-003	7128994
15	PIN, DOWEL (8X10).....	3 3A	-----	-----	AC	2	94302-08100	0440479
		4 4A	-----	-----	A	2	94302-08100	0440479
16	PIN, DOWEL (5X8).....	3 3A	-----	-----	AC	1	94303-05080	0876862
		4 4A	-----	-----	A	1	94303-05080	0876862

REAR CRANKCASE COVER



MCS3--E0900 A

MCS3E0900A

3 =ST1300'03
 3A=ST1300A'03
 4 =ST1300'04
 4A=ST1300A'04

E-9

 Engine
 Serial Number

Ref	Description	Model	From	To	AREA	QTY	Part Number	H/C
1	CASE, RR.	3 3A	-----	-----	AC	1	21110-MCS-010	7229784
		4 4A	-----	-----	A	1	21110-MCS-010	7229784
2	CLAMP B, DRAIN HOSE	3 3A	-----	-----	AC	1	21114-MCS-000	7124522
		4 4A	-----	-----	A	1	21114-MCS-000	7124522
3	CYLINDER ASSY., CLUTCH SLAVE.....	3 3A	-----	-----	AC	1	22860-MCS-000	7124605
		4 4A	-----	-----	A	1	22860-MCS-000	7124605
4	GASKET, SLAVE CYLINDER	3 3A	-----	-----	AC	1	22862-MW7-650	3939824
		4 4A	-----	-----	A	1	22862-MW7-650	3939824
5	PISTON, SLAVE CYLINDER	3 3A	-----	-----	AC	1	22863-MJ8-003	1763416
		4 4A	-----	-----	A	1	22863-MJ8-003	1763416
6	SPRING, SLAVE CYLINDER	3 3A	-----	2103303	AC	1	22864-MT7-006	4482949
		3 3A	2103304	-----	AC	1	22864-MT7-016	7494735
4	SPRING, SLAVE CYLINDER	4 4A	-----	-----	A	1	22864-MT7-016	7494735
		4 4A	-----	-----	A	1	22864-MT7-016	7494735
7	CUP, PISTON.....	3 3A	-----	-----	AC	1	22865-MJ8-003	1763424
		4 4A	-----	-----	A	1	22865-MJ8-003	1763424
8	HOLDER, FINAL SHAFT BEARING.....	3 3A	-----	-----	AC	1	23751-MCS-000	7124878
		4 4A	-----	-----	A	1	23751-MCS-000	7124878
9	SENSOR ASSY., SPEED.....	3 3A	-----	-----	AC	1	37700-MCS-003	7125693
		4 4A	-----	-----	A	1	37700-MCS-003	7125693
10	WASHER, SEALING (8.5MM)	3 3A	-----	-----	AC	2	90463-MCS-000	7128929
		4 4A	-----	-----	A	2	90463-MCS-000	7128929

REAR CRANKCASE COVER

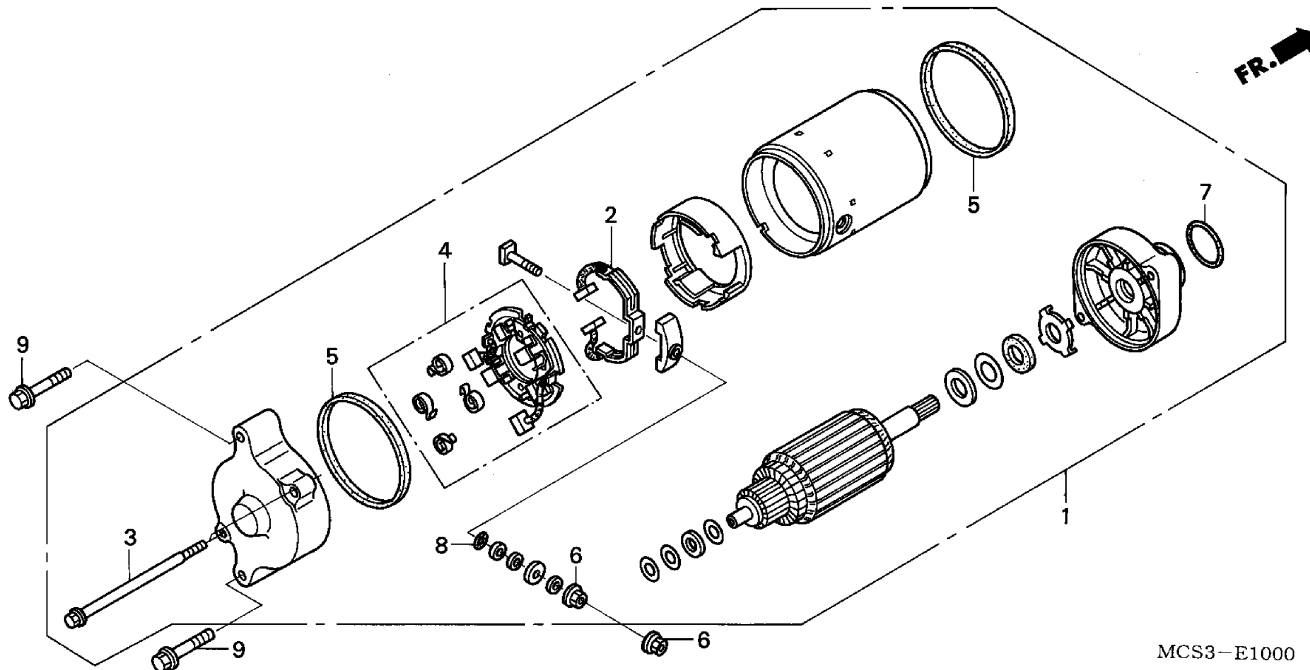
3 =ST1300'03
 3A=ST1300A'03
 4 =ST1300'04
 4A=ST1300A'04

E-9

 Engine
 Serial Number

Ref	Description	Model	From	To	AREA	QTY	Part Number	H/C
11	BEARING, NEEDLE (14X22X16)	3 3A	-----	-----	AC	1	91106-KM1-013	4639944
		4 4A	-----	-----	A	1	91106-KM1-013	4639944
12	OIL SEAL (28X46X7)	3 3A	-----	-----	AC	1	91201-MV1-003	5392147
		4 4A	-----	-----	A	1	91201-MV1-003	5392147
13	OIL SEAL (14X22X5)	3 3A	-----	-----	AC	1	91203-KK3-830	2735249
		4 4A	-----	-----	A	1	91203-KK3-830	2735249
14	OIL SEAL (8X25X8) (ARAI)	3 3A	-----	-----	AC	1	91204-MB0-013	2952943
		4 4A	-----	-----	A	1	91204-MB0-013	2952943
15	OIL SEAL (8X18X5) (NISSIN)	3 3A	-----	-----	AC	1	91209-MB0-003	1243872
		4 4A	-----	-----	A	1	91209-MB0-003	1243872
16	O-RING (18.1X3.6).....	3 3A	-----	-----	AC	1	91302-MAL-601	4639985
		4 4A	-----	-----	A	1	91302-MAL-601	4639985
17	O-RING (66X2.5)	3 3A	-----	-----	AC	1	91351-881-000	0499533
		4 4A	-----	-----	A	1	91351-881-000	0499533
18	PIN A, DOWEL (8X10)	3 3A	-----	-----	AC	2	94301-08100	0081711
		4 4A	-----	-----	A	2	94301-08100	0081711
19	PIN, DOWEL (10X16).....	3 3A	-----	-----	AC	2	94303-10160	0690628
		4 4A	-----	-----	A	2	94303-10160	0690628
20	BOLT, FLANGE (6X14)	3 3A	-----	-----	AC	3	95701-06014-00	2410884
		4 4A	-----	-----	A	3	95701-06014-00	2410884
21	BOLT, FLANGE (6X20)	3 3A	-----	-----	AC	2	95701-06020-00	2105815
		4 4A	-----	-----	A	2	95701-06020-00	2105815
22	BOLT, FLANGE (8X28)	3 3A	-----	-----	AC	3	95701-08028-00	2581387
		4 4A	-----	-----	A	3	95701-08028-00	2581387
23	BOLT, FLANGE (8X32)	3 3A	-----	-----	AC	2	95701-08032-00	2751725
		4 4A	-----	-----	A	2	95701-08032-00	2751725
24	BOLT, FLANGE (8X40)	3 3A	-----	-----	AC	11	95701-08040-00	2298404
		4 4A	-----	-----	A	11	95701-08040-00	2298404
25	BOLT, FLANGE (8X75)	3 3A	-----	-----	AC	3	95701-08075-00	2488534
		4 4A	-----	-----	A	3	95701-08075-00	2488534
26	BOLT, FLANGE (8X85)	3 3A	-----	-----	AC	2	95701-08085-00	3488319
		4 4A	-----	-----	A	2	95701-08085-00	3488319
27	BOLT, FLANGE (6X22)	3 3A	-----	-----	AC	3	96001-06022-00	2112191
		4 4A	-----	-----	A	3	96001-06022-00	2112191
28	BEARING, RADIAL BALL (6206)	3 3A	-----	-----	AC	1	96100-62063-00	7129158
		4 4A	-----	-----	A	1	96100-62063-00	7129158

STARTING MOTOR



MCS3-E1000

MCS3E1000

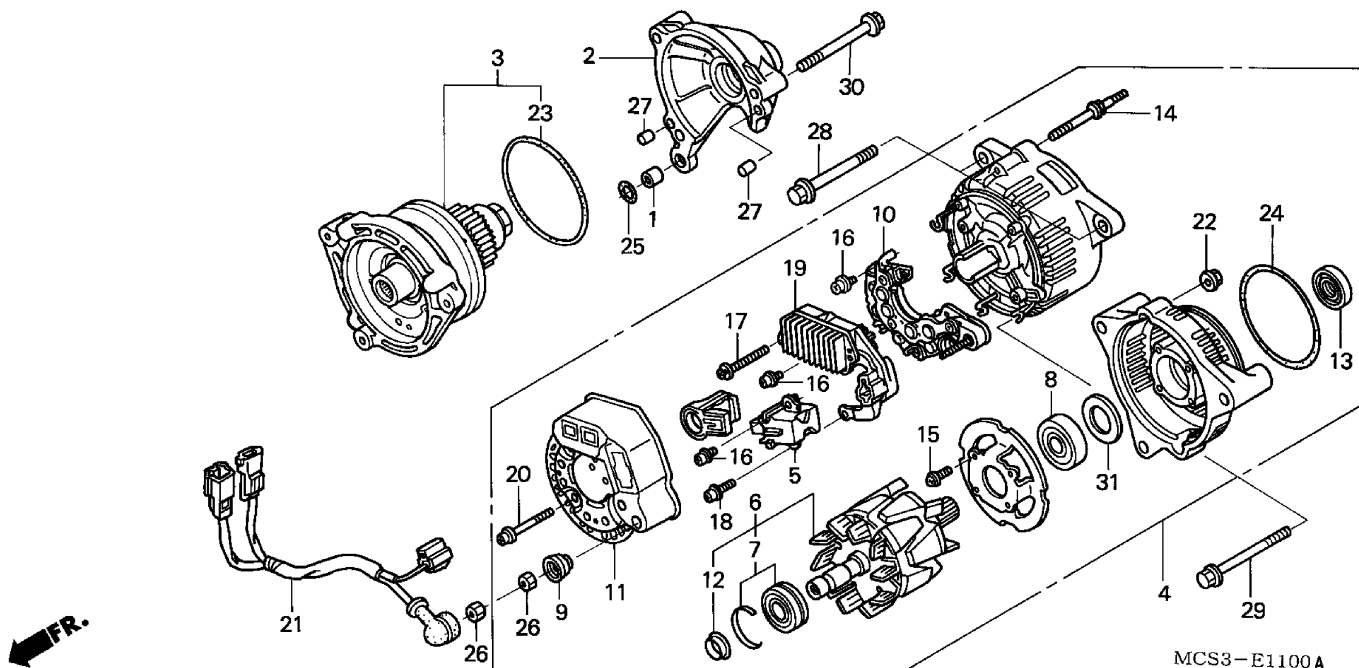
3 =ST1300'03
3A=ST1300A'03
4 =ST1300'04
4A=ST1300A'04

E-10

Engine
Serial Number

Ref	Description	Model	From	To	AREA	QTY	Part Number	H/C
1	MOTOR ASSY., STARTER (MITSUBA).....	3 3A	-----	-----	AC	1	31200-MCS-003	7125206
		4 4A	-----	-----	A	1	31200-MCS-003	7125206
2	TERMINAL SET, BRUSH.....	3 3A	-----	-----	AC	1	31201-MR6-008	2826824
		4 4A	-----	-----	A	1	31201-MR6-008	2826824
3	BOLT, SETTING.....	3 3A	-----	-----	AC	2	31205-MR1-008	2855286
		4 4A	-----	-----	A	2	31205-MR1-008	2855286
4	HOLDER SET, BRUSH	3 3A	-----	-----	AC	1	31206-MR6-008	2826865
		4 4A	-----	-----	A	1	31206-MR6-008	2826865
5	RING.....	3 3A	-----	-----	AC	2	31207-KS5-901	2541985
		4 4A	-----	-----	A	2	31207-KS5-901	2541985
6	NUT-WASHER (6MM)	3 3A	-----	-----	AC	2	90071-MB0-000	1243534
		4 4A	-----	-----	A	2	90071-MB0-000	1243534
7	O-RING (24.4X3.1) (ARAI).....	3 3A	-----	-----	AC	1	91309-425-003	1113422
		4 4A	-----	-----	A	1	91309-425-003	1113422
	O-RING (24.4X3.1).....	3 3A	-----	-----	AC	1	91312-MG7-003	2618221
		4 4A	-----	-----	A	1	91312-MG7-003	2618221
8	O-RING.....	3 3A	-----	-----	AC	1	91320-MB0-000	1292184
		4 4A	-----	-----	A	1	91320-MB0-000	1292184
9	BOLT, FLANGE (6X35)	3 3A	-----	-----	AC	2	95701-06035-00	2105864
		4 4A	-----	-----	A	2	95701-06035-00	2105864

ALTERNATOR



MCS3-E1100A

MCS3E1100A

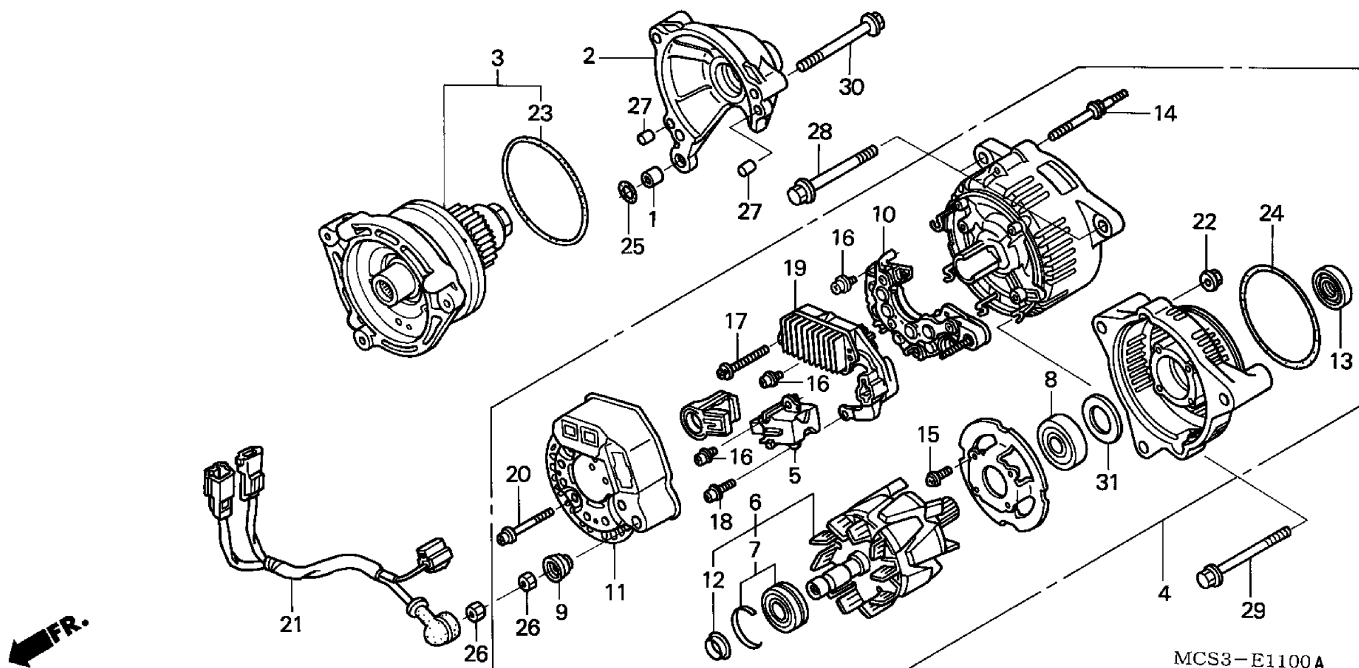
3 =ST1300'03
 3A=ST1300A'03
 4 =ST1300'04
 4A=ST1300A'04

E-11

 Engine
 Serial Number

Ref	Description	Model	From	To	AREA	QTY	Part Number	H/C
1	ORIFICE (1.2MM).....	3 3A	-----	-----	AC	1	11104-MCS-000	7122625
		4 4A	-----	-----	A	1	11104-MCS-000	7122625
2	HOLDER, ALTERNATOR BEARING	3 3A	-----	-----	AC	1	11203-MCS-000	7122633
		4 4A	-----	-----	A	1	11203-MCS-000	7122633
3	GEAR ASSY., ALTERNATOR	3 3A	-----	-----	AC	1	13430-MCS-020	7325178
		4 4A	-----	-----	A	1	13430-MCS-020	7325178
4	ALTERNATOR ASSY.	3 3A	-----	-----	AC	1	31100-MCS-003	7125164
		4 4A	-----	-----	A	1	31100-MCS-003	7125164
5	HOLDER ASSY., BRUSH.....	3 3A	-----	-----	AC	1	31105-MAJ-G41	5036769
		4 4A	-----	-----	A	1	31105-MAJ-G41	5036769
6	ROTOR ASSY.....	3 3A	-----	-----	AC	1	31110-MCS-003	7125172
		4 4A	-----	-----	A	1	31110-MCS-003	7125172
7	BEARING, RR.	3 3A	-----	-----	AC	1	31111-MAJ-G41	5036777
		4 4A	-----	-----	A	1	31111-MAJ-G41	5036777
8	BEARING, FR.	3 3A	-----	-----	AC	1	31114-MCS-003	7125180
		4 4A	-----	-----	A	1	31114-MCS-003	7125180
9	BUSH, INSULATION	3 3A	-----	-----	AC	1	31119-MAJ-G41	5036801
		4 4A	-----	-----	A	1	31119-MAJ-G41	5036801
10	RECTIFIER ASSY.....	3 3A	-----	-----	AC	1	31127-MAJ-G41	5036819
		4 4A	-----	-----	A	1	31127-MCS-003	7217060
11	COVER, RR. END	3 3A	-----	-----	AC	1	31135-MAJ-G41	5036827

ALTERNATOR



MCS3E1100A

3 =ST1300'03
 3A=ST1300A'03
 4 =ST1300'04
 4A=ST1300A'04

E-11

 Engine
 Serial Number

Ref	Description	Model	From	To	AREA	QTY	Part Number	H/C
11	COVER, RR. END	4 4A	-----	-----	A	1	31135-MAJ-G41	5036827
12	COVER, BEARING.....	3 3A	-----	-----	AC	1	31138-PD1-004	1565803
		4 4A	-----	-----	A	1	31138-PD1-004	1565803
13	OIL SEAL	3 3A	-----	-----	AC	1	31141-MCS-003	7125198
		4 4A	-----	-----	A	1	31141-MCS-003	7125198
14	BOLT, STUD	3 3A	-----	-----	AC	2	31145-PE9-941	3798097
		4 4A	-----	-----	A	2	31145-PE9-941	3798097
15	SCREW	3 3A	-----	-----	AC	4	31146-MAJ-G41	5036843
		4 4A	-----	-----	A	4	31146-MAJ-G41	5036843
16	SCREW	3 3A	-----	-----	AC	6	31147-PT0-003	3276102
		4 4A	-----	-----	A	6	31147-PT0-003	3276102
17	SCREW-WASHER (4X25)	3 3A	-----	-----	AC	2	31148-PD1-004	1565878
		4 4A	-----	-----	A	2	31148-PD1-004	1565878
18	SCREW	3 3A	-----	-----	AC	1	31149-PZ1-003	4924726
		4 4A	-----	-----	A	1	31149-PZ1-003	4924726
19	REGULATOR ASSY.	3 3A	-----	-----	AC	1	31150-PZ3-003	5023338
		4 4A	-----	-----	A	1	31150-PZ3-003	5023338
20	BOLT	3 3A	-----	-----	AC	3	31153-PZ1-003	4924734
		4 4A	-----	-----	A	3	31153-PZ1-003	4924734
21	SUB-HARNESS, ALTERNATOR	3 3A	-----	-----	AC	1	32130-MCS-000	7125289
		4 4A	-----	-----	A	1	32130-MCS-000	7125289

ALTERNATOR

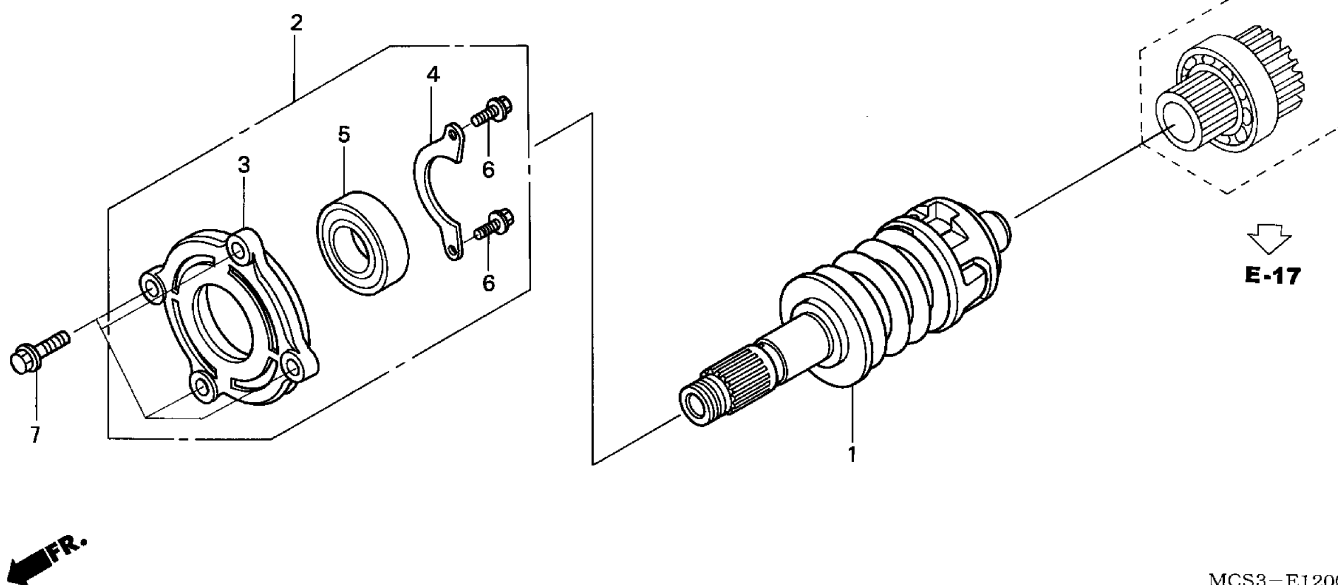
3 =ST1300'03
 3A=ST1300A'03
 4 =ST1300'04
 4A=ST1300A'04

E-11

 Engine
 Serial Number

Ref	Description	Model	From	To	AREA	QTY	Part Number	H/C
22	NUT, HEX. (5MM).....	3 3A	-----	-----	AC	2	90231-PD1-014	2957439
		4 4A	-----	-----	A	2	90231-PD1-014	2957439
23	O-RING (95.5X2.4).....	3 3A	-----	-----	AC	1	91303-MCS-003	7129059
		4 4A	-----	-----	A	1	91303-MCS-003	7129059
24	O-RING.....	3 3A	-----	-----	AC	1	91304-MAJ-G41	5036959
		4 4A	-----	-----	A	1	91304-MAJ-G41	5036959
25	O-RING (9.8X2.4).....	3 3A	-----	-----	AC	1	91305-422-000	0688986
		4 4A	-----	-----	A	1	91305-422-000	0688986
26	NUT, HEX. (6MM).....	3 3A	-----	-----	AC	2	94001-06080-0S	0590455
		4 4A	-----	-----	A	2	94001-06080-0S	0590455
27	PIN, DOWEL (8X10).....	3 3A	-----	-----	AC	2	94302-08100	0440479
		4 4A	-----	-----	A	2	94302-08100	0440479
28	BOLT, FLANGE (8X65)	3 3A	-----	-----	AC	2	95701-08065-00	2529113
		4 4A	-----	-----	A	2	95701-08065-00	2529113
29	BOLT, FLANGE (8X85)	3 3A	-----	-----	AC	1	95701-08085-00	3488319
		4 4A	-----	-----	A	1	95701-08085-00	3488319
30	BOLT, FLANGE (8X90)	3 3A	-----	-----	AC	3	95701-08090-00	6246136
		4 4A	-----	-----	A	3	95701-08090-00	6246136
31	COVER, BEARING.....	3 3A	-----	-----	AC	1	31116-MCS-003	7217052
		4 4A	-----	-----	A	1	31116-MCS-003	7217052

PRIMARY SHAFT



MCS3-E1200

MCS3E1200

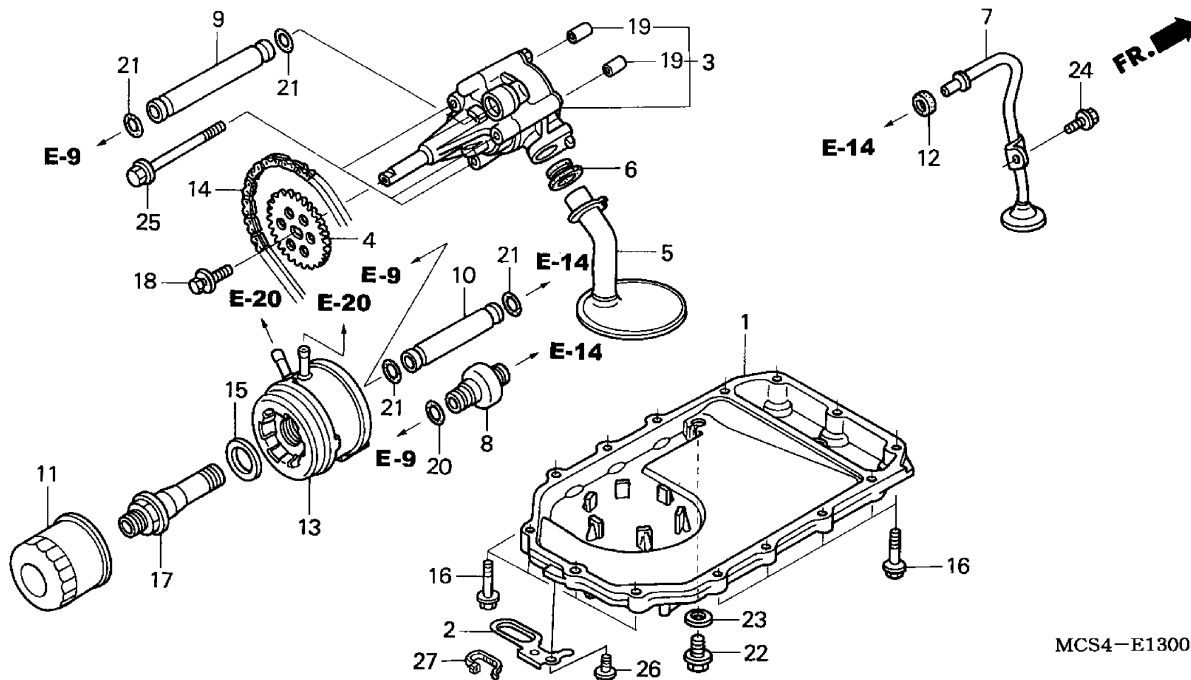
3 =ST1300'03
3A=ST1300A'03
4 =ST1300'04
4A=ST1300A'04

E-12

Engine
Serial Number

Ref	Description	Model	From	To	AREA	QTY	Part Number	H/C
1	SHAFT ASSY., PRIMARY	3 3A	-----	-----	AC	1	23110-MCS-000	7124688
		4 4A	-----	-----	A	1	23110-MCS-000	7124688
2	HOLDER, PRIMARY BEARING	3 3A	-----	-----	AC	1	23120-MCS-000	7124696
		4 4A	-----	-----	A	1	23120-MCS-000	7124696
3	HOLDER, PRIMARY BEARING	3 3A	-----	-----	AC	1	23121-MCS-000	7124704
		4 4A	-----	-----	A	1	23121-MCS-000	7124704
4	PLATE, PRIMARY BEARING SETTING	3 3A	-----	-----	AC	1	23125-MCS-000	7124712
		4 4A	-----	-----	A	1	23125-MCS-000	7124712
5	BEARING, RADIAL BALL (28X62X16LU) ..	3 3A	-----	-----	AC	1	91007-MCS-003	7128978
		4 4A	-----	-----	A	1	91007-MCS-003	7128978
6	BOLT, FLANGE (6X14)	3 3A	-----	-----	AC	2	95701-06014-00	2410884
		4 4A	-----	-----	A	2	95701-06014-00	2410884
7	BOLT, FLANGE (8X25)	3 3A	-----	-----	AC	4	95701-08025-00	2545325
		4 4A	-----	-----	A	4	95701-08025-00	2545325

OIL PUMP • OIL PAN



MCS4-E1300C

MCS4E1300C

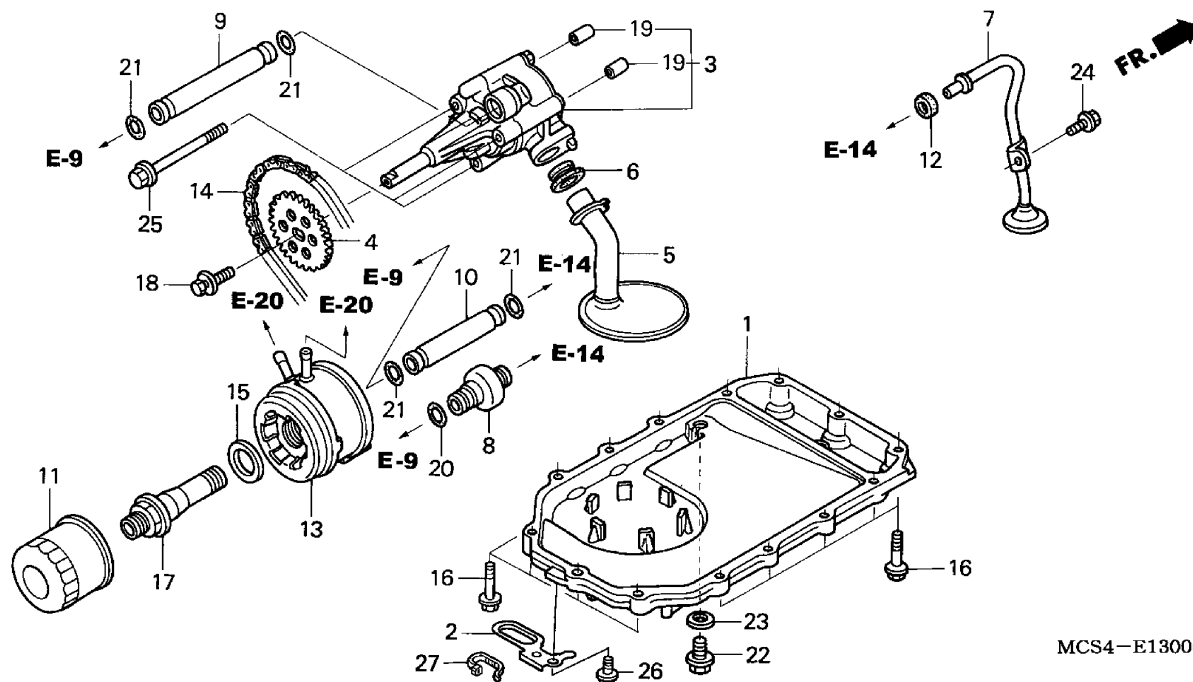
3 =ST1300'03
 3A=ST1300A'03
 4 =ST1300'04
 4A=ST1300A'04

E-13

 Engine
 Serial Number

Ref	Description	Model	From	To	AREA	QTY	Part Number	H/C
1	PAN, OIL	3 3A	-----	-----	AC	1	11210-MCS-010	7366826
		4 4A	-----	-----	A	1	11210-MCS-010	7366826
2	CLAMP A, DRAIN HOSE	3 3A	-----	-----	AC	1	11211-MCS-010	7122674
		4 4A	-----	-----	A	1	11211-MCS-010	7122674
3	PUMP ASSY., OIL	3 3A	-----	-----	AC	1	15100-MCS-010	7495344
		4 4A	-----	-----	A	1	15100-MCS-010	7495344
4	SPROCKET, OIL PUMP DRIVEN (30T).....	3 3A	-----	-----	AC	1	15134-MCS-000	7123441
		4 4A	-----	-----	A	1	15134-MCS-000	7123441
5	STRAINER, OIL	3 3A	-----	-----	AC	1	15150-MCS-000	7123458
		4 4A	-----	-----	A	1	15150-MCS-000	7123458
6	GASKET, OIL STRAINER	3 3A	-----	-----	AC	1	15154-MM5-000	2547255
		4 4A	-----	-----	A	1	15154-MM5-000	2547255
7	PIPE, OIL SCAVENGING.....	3 3A	-----	-----	AC	1	15160-MCS-000	7123466
		4 4A	-----	-----	A	1	15160-MCS-000	7123466
8	VALVE ASSY., RELIEF	3 3A	-----	-----	AC	1	15220-MW0-000	4040952
		4 4A	-----	-----	A	1	15220-MW0-000	4040952
9	PIPE A, OIL PASSAGE	3 3A	-----	-----	AC	1	15311-MCS-000	7123474
		4 4A	-----	-----	A	1	15311-MCS-000	7123474
10	PIPE B, OIL PASSAGE	3 3A	-----	-----	AC	1	15312-MCS-000	7123482
		4 4A	-----	-----	A	1	15312-MCS-000	7123482
11	FILTER, OIL (TOYO ROKI)	3 3A	-----	-----	AC	1	15410-MCJ-000	6388482

OIL PUMP • OIL PAN



MCS4-E1300C

MCS4E1300C

3 =ST1300'03
 3A=ST1300A'03
 4 =ST1300'04
 4A=ST1300A'04

E-13

 Engine
 Serial Number

Ref	Description	Model	From	To	AREA	QTY	Part Number	H/C
11	FILTER, OIL (TOYO ROKI)	4 4A	-----	-----	A	1	15410-MCJ-000	6388482
12	SEAL, RING	3 3A	-----	-----	AC	1	15433-KGB-610	6843247
		4 4A	-----	-----	A	1	15433-KGB-610	6843247
13	COOLER, OIL.....	3 3A	-----	-----	AC	1	15700-MCS-003	7123508
		4 4A	-----	-----	A	1	15700-MCS-003	7123508
14	CHAIN, WATER PUMP DRIVE	3 3A	-----	-----	AC	1	19225-MCS-003	7124282
		4 4A	-----	-----	A	1	19225-MCS-003	7124282
15	WASHER, SPRING (24MM).....	3 3A	-----	-----	AC	1	23929-PX4-700	3940079
		4 4A	-----	-----	A	1	23929-PX4-700	3940079
16	BOLT, FLANGE (6X28) (NSHF).....	3 3A	-----	-----	AC	14	90004-GHB-680	4774188
		4 4A	-----	-----	A	14	90004-GHB-680	4774188
17	BOLT, OIL COOLER	3 3A	-----	-----	AC	1	90019-MCJ-000	6397525
		4 4A	-----	-----	A	1	90019-MCJ-000	6397525
18	BOLT-WASHER (6X12)	3 3A	-----	-----	AC	1	90021-MM5-000	2551760
		4 4A	-----	-----	A	1	90021-MM5-000	2551760
19	PIN, DOWEL (8X14).....	3 3A	-----	-----	AC	2	90501-MB0-000	1852391
		4 4A	-----	-----	A	2	90501-MB0-000	1852391
20	O-RING (14.7X2.2) (ARAI).....	3 3A	-----	-----	AC	1	91313-MB0-003	1260868
		4 4A	-----	-----	A	1	91313-MB0-003	1260868
	O-RING (14.8X2.2).....	3 3A	-----	-----	AC	1	91313-MG7-004	3353620
		4 4A	-----	-----	A	1	91313-MG7-004	3353620

OIL PUMP • OIL PAN

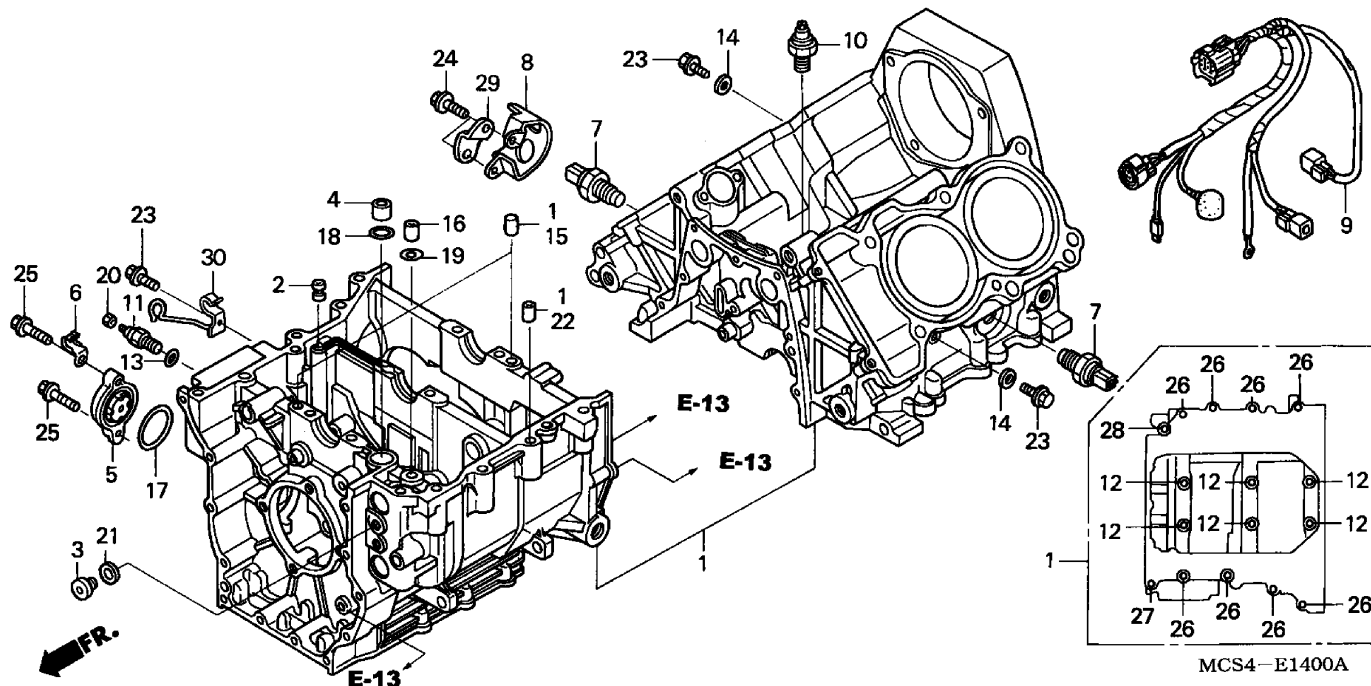
3 =ST1300'03
 3A=ST1300A'03
 4 =ST1300'04
 4A=ST1300A'04

E-13

Engine
Serial Number

Ref	Description	Model	From	To	AREA	QTY	Part Number	H/C
21	OIL SEAL, PATH PIPE (20.3MM).....	3 3A	-----	-----	AC	4	91315-MCS-003	7129067
		4 4A	-----	-----	A	4	91315-MCS-003	7129067
22	BOLT, DRAIN PLUG (14MM).....	3 3A	-----	-----	AC	1	90004-MCS-000	7367410
		4 4A	-----	-----	A	1	90004-MCS-000	7367410
23	WASHER, DRAIN PLUG (14MM).....	3 3A	-----	-----	AC	1	94109-14000	0171876
		4 4A	-----	-----	A	1	94109-14000	0171876
24	BOLT, FLANGE (6X14)	3 3A	-----	-----	AC	1	95701-06014-00	2410884
		4 4A	-----	-----	A	1	95701-06014-00	2410884
25	BOLT, FLANGE (6X80)	3 3A	-----	-----	AC	3	95701-06080-00	2519734
		4 4A	-----	-----	A	3	95701-06080-00	2519734
26	BOLT, FLANGE (6X10)	3 3A	-----	-----	AC	1	95701-06010-00	2410876
		4 4A	-----	-----	A	1	95701-06010-00	2410876
27	BAND, WIRE	3 3A	-----	-----	AC	1	90650-KV6-003	2687788
		4 4A	-----	-----	A	1	90650-KV6-003	2687788

CRANKCASE



MCS4E1400A

3 =ST1300'03
 3A=ST1300A'03
 4 =ST1300'04
 4A=ST1300A'04

E-14

 Engine
 Serial Number

Ref	Description	Model	From	To	AREA	QTY	Part Number	H/C
1	CRANKCASE SET	3 3A	-----	-----	AC	1	11000-MCS-010	7229792
		4 4A	-----	-----	A	1	11000-MCS-010	7229792
2	ORIFICE A (1.6MM)	3 3A	-----	-----	AC	1	11205-MCS-000	7122641
		4 4A	-----	-----	A	1	11205-MCS-000	7122641
3	BOLT, SEALING (14MM)	3 3A	-----	-----	AC	1	12206-MBW-000	7122740
		4 4A	-----	-----	A	1	12206-MBW-000	7122740
4	COLLAR (16X18X10)	3 3A	-----	-----	AC	1	15326-KBV-000	5361597
		4 4A	-----	-----	A	1	15326-KBV-000	5361597
5	FINDER, OIL LEVEL	3 3A	-----	-----	AC	1	15660-MCS-000	7123490
		4 4A	-----	-----	A	1	15660-MCS-000	7123490
6	CLIP B, TUBE	3 3A	-----	-----	AC	1	16106-KW7-900	4047262
		4 4A	-----	-----	A	1	16106-KW7-900	4047262
7	SENSOR ASSY., KNOCK	3 3A	-----	-----	AC	2	30530-MCS-004	7125081
		4 4A	-----	-----	A	2	30530-MCS-004	7125081
8	GUARD, SENSOR	3 3A	-----	-----	AC	1	30533-MCS-010	7367030
		4 4A	-----	-----	A	1	30533-MCS-010	7367030
9	SUB-WIRE, ENGINE	3 3A	-----	-----	AC	1	32109-MCS-000	7125271
	SUB-WIRE, ENGINE	3 3A	-----	-----	AC	1	32109-MCS-010	7217078
	SUB-WIRE, ENGINE	4 4A	-----	-----	A	1	32109-MCS-700	7679145
10	SWITCH ASSY., OIL PRESSURE (DENSO)	3 3A	-----	-----	AC	1	35500-MJ4-024	3544608

CRANKCASE

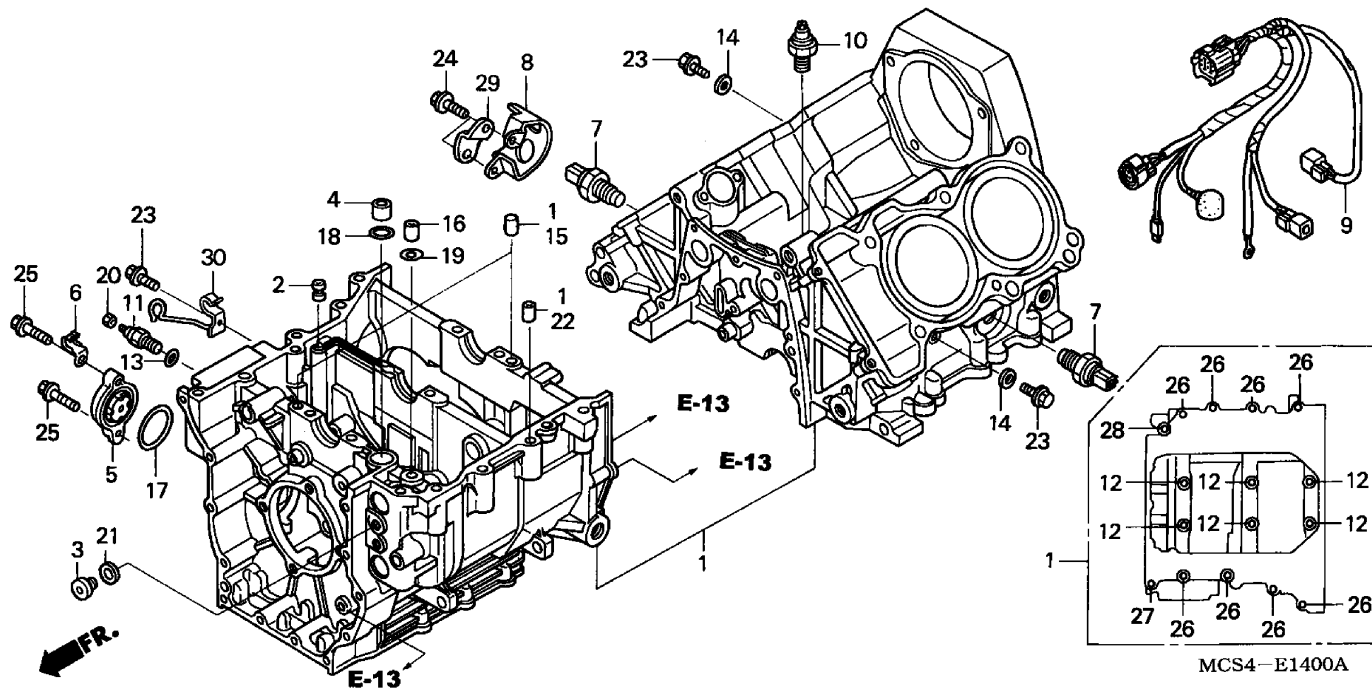
3 =ST1300'03
 3A=ST1300A'03
 4 =ST1300'04
 4A=ST1300A'04

E-14

Engine
Serial Number

Ref	Description	Model	From	To	AREA	QTY	Part Number	H/C
10	SWITCH ASSY., OIL PRESSURE (DENSO)	4 4A	-----	-----	A	1	35500-MJ4-024	3544608
11	SWITCH ASSY., NEUTRAL	3 3A	-----	-----	AC	1	35600-MK4-860	3104502
		4 4A	-----	-----	A	1	35600-MK4-860	3104502
12	BOLT, FLANGE (10X87)	3 3A	-----	-----	AC	6	90001-MCS-000	7128523
		4 4A	-----	-----	A	6	90001-MCS-000	7128523
13	WASHER, NEUTRAL	3 3A	-----	-----	AC	1	90443-MJ6-000	2544856
		4 4A	-----	-----	A	1	90443-MJ6-000	2544856
14	WASHER, SEALING (6.5MM)	3 3A	-----	-----	AC	2	90463-ML7-000	2408680
		4 4A	-----	-----	A	2	90463-ML7-000	2408680
15	PIN, DOWEL (10X16).....	3 3A	-----	-----	AC	2	90701-MV9-670	3906971
		4 4A	-----	-----	A	2	90701-MV9-670	3906971
16	PIN, DOWEL (10X10).....	3 3A	-----	-----	AC	1	90702-MJ4-000	2519445
		4 4A	-----	-----	A	1	90702-MJ4-000	2519445
17	O-RING (45X2.5) (ARAI)	3 3A	-----	-----	AC	1	91301-679-003	2007177
		4 4A	-----	-----	A	1	91301-679-003	2007177
18	O-RING (18X3) (ARAI).....	3 3A	-----	-----	AC	1	91302-KE8-003	2890754
		4 4A	-----	-----	A	1	91302-KE8-003	2890754
19	O-RING (9.8X2.4).....	3 3A	-----	-----	AC	1	91305-422-000	0688986
		4 4A	-----	-----	A	1	91305-422-000	0688986
20	NUT, FLANGE (4MM).....	3 3A	-----	-----	AC	1	94050-04000	0711549
		4 4A	-----	-----	A	1	94050-04000	0711549
21	WASHER, DRAIN PLUG (14MM).....	3 3A	-----	-----	AC	1	94109-14000	0171876
		4 4A	-----	-----	A	1	94109-14000	0171876
22	PIN A, DOWEL (10X16)	3 3A	-----	-----	AC	1	94301-10160	0058206
		4 4A	-----	-----	A	1	94301-10160	0058206
23	BOLT, FLANGE (6X12)	3 3A	-----	-----	AC	3	95701-06012-00	2105799
		4 4A	-----	-----	A	3	95701-06012-00	2105799
24	BOLT, FLANGE (6X18)	3 3A	-----	-----	AC	2	95700-06018-00	0481184
		4 4A	-----	-----	A	2	95700-06018-00	0481184
	BOLT, FLANGE (6X18)	3 3A	-----	-----	AC	2	95701-06018-00	2410900
		4 4A	-----	-----	A	2	95701-06018-00	2410900
25	BOLT, FLANGE (6X25)	3 3A	-----	-----	AC	2	95701-06025-00	2105831
		4 4A	-----	-----	A	2	95701-06025-00	2105831
26	BOLT, FLANGE (8X60)	3 3A	-----	-----	AC	8	95701-08060-00	2552578
		4 4A	-----	-----	A	8	95701-08060-00	2552578
27	BOLT, FLANGE (8X80)	3 3A	-----	-----	AC	1	95701-08080-00	2533867
		4 4A	-----	-----	A	1	95701-08080-00	2533867
28	BOLT, FLANGE (8X120)	3 3A	-----	-----	AC	1	95701-08120-00	7129125
		4 4A	-----	-----	A	1	95701-08120-00	7129125

CRANKCASE



MCS4-E1400A

MCS4E1400A

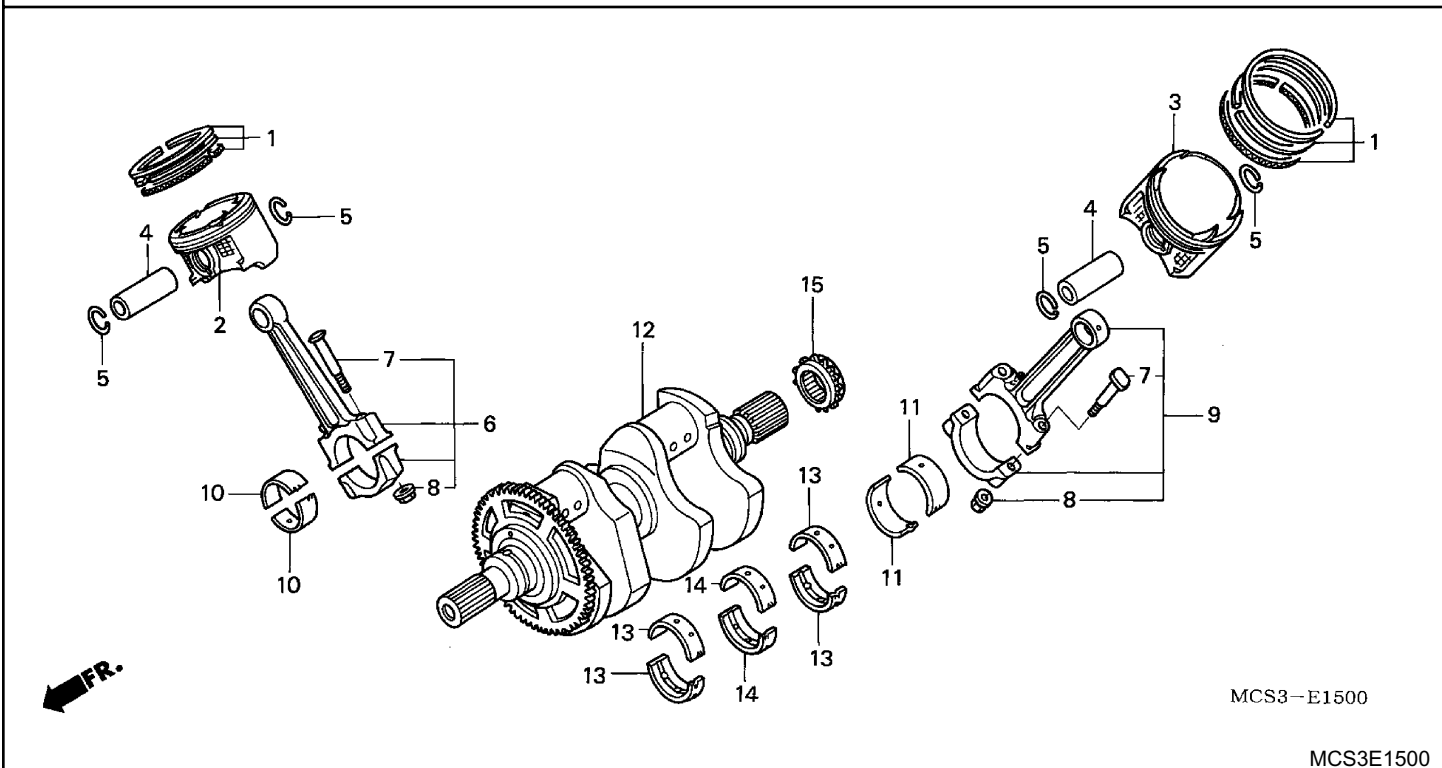
3 =ST1300'03
 3A=ST1300A'03
 4 =ST1300'04
 4A=ST1300A'04

E-14

 Engine
 Serial Number

Ref	Description	Model	From	To	AREA	QTY	Part Number	H/C
29	PLATE, SENSOR GUARD	3 3A	-----	-----	AC	1	30534-MCS-000	7683311
		4 4A	-----	-----	A	1	30534-MCS-000	7683311
30	GUIDED, KNOCK SENSOR WIRE	3 3A	-----	-----	AC	1	30535-MCS-000	7683329
		4 4A	-----	-----	A	1	30535-MCS-000	7683329

CRANK SHAFT • PISTON



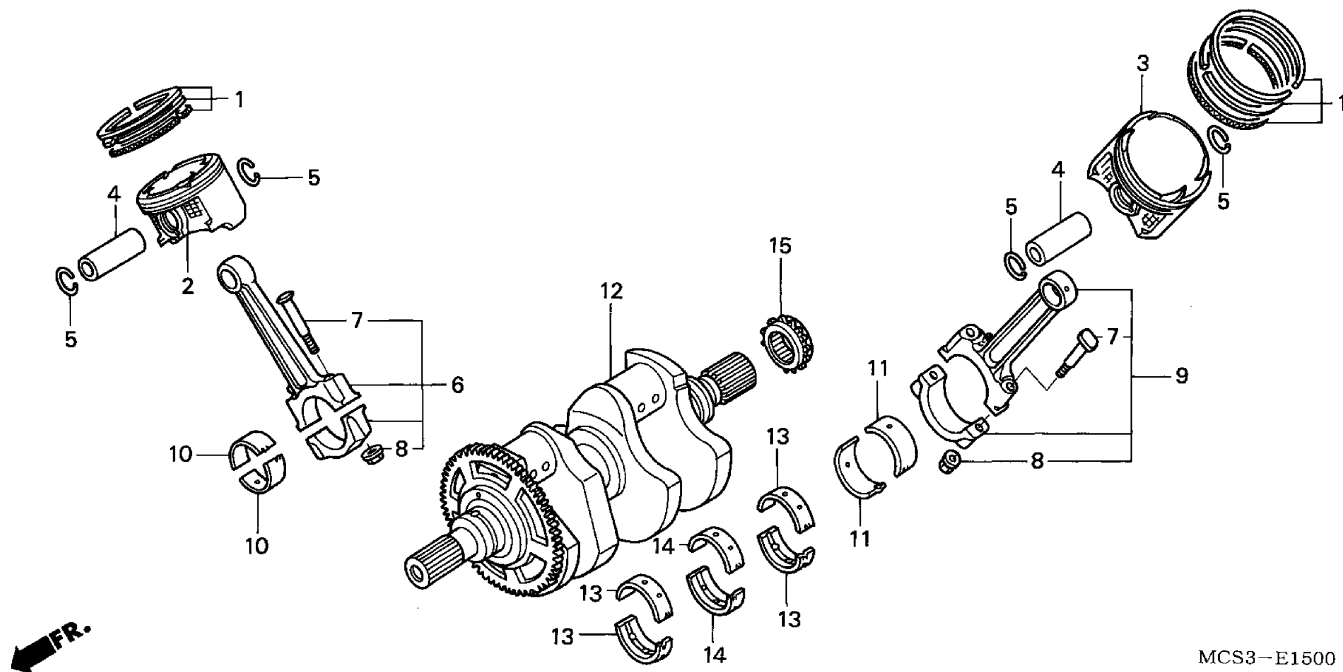
3 =ST1300'03
 3A=ST1300A'03
 4 =ST1300'04
 4A=ST1300A'04

E-15

 Engine
 Serial Number

Ref	Description	Model	From	To	AREA	QTY	Part Number	H/C
1	RING SET, PISTON (STD).....	3 3A	-----	-----	AC	4	13011-MCS-305	7122856
		4 4A	-----	-----	A	4	13011-MCS-305	7122856
	RING SET, PISTON (OS 0.25).....	3 3A	-----	-----	AC	(4)	13021-MCS-305	7122864
		4 4A	-----	-----	A	(4)	13021-MCS-305	7122864
	RING SET, PISTON (OS 0.50).....	3 3A	-----	-----	AC	(4)	13031-MCS-305	7122872
		4 4A	-----	-----	A	(4)	13031-MCS-305	7122872
2	PISTON, R.....	3 3A	-----	-----	AC	2	13101-MCS-000	7122880
		4 4A	-----	-----	A	2	13101-MCS-000	7122880
	PISTON, R. (OS 0.25)	3 3A	-----	-----	AC	(2)	13103-MCS-305	7122906
		4 4A	-----	-----	A	(2)	13103-MCS-305	7122906
	PISTON, R. (OS 0.50)	3 3A	-----	-----	AC	(2)	13104-MCS-305	7122914
		4 4A	-----	-----	A	(2)	13104-MCS-305	7122914
3	PISTON, L.....	3 3A	-----	-----	AC	2	13102-MCS-000	7122898
		4 4A	-----	-----	A	2	13102-MCS-000	7122898
	PISTON, L. (OS 0.25).....	3 3A	-----	-----	AC	(2)	13105-MCS-305	7122922
		4 4A	-----	-----	A	(2)	13105-MCS-305	7122922
	PISTON, L. (OS 0.50).....	3 3A	-----	-----	AC	(2)	13106-MCS-305	7122930
		4 4A	-----	-----	A	(2)	13106-MCS-305	7122930
4	PIN, PISTON	3 3A	-----	-----	AC	4	13111-MCS-000	7122948
		4 4A	-----	-----	A	4	13111-MCS-000	7122948
5	CLIP, PISTON PIN (19MM)	3 3A	-----	-----	AC	8	13112-MAT-000	5212451

CRANK SHAFT • PISTON



MCS3-E1500

MCS3E1500

3 =ST1300'03
 3A=ST1300A'03
 4 =ST1300'04
 4A=ST1300A'04

E-15

 Engine
 Serial Number

Ref	Description	Model	From	To	AREA	QTY	Part Number	H/C
5	CLIP, PISTON PIN (19MM)	4 4A	-----	-----	A	8	13112-MAT-000	5212451
6	ROD ASSY., R. CONNECTING	3 3A	-----	-----	AC	2	13210-MCS-000	7122955
		4 4A	-----	-----	A	2	13210-MCS-000	7122955
7	BOLT, CONNECTING ROD	3 3A	-----	-----	AC	8	13213-MCS-003	7122963
		4 4A	-----	-----	A	8	13213-MCS-003	7122963
8	NUT, CONNECTING ROD	3 3A	-----	-----	AC	8	13215-ML7-000	2402105
		4 4A	-----	-----	A	8	13215-ML7-000	2402105
9	ROD ASSY., L. CONNECTING	3 3A	-----	-----	AC	2	13220-MCS-000	7122971
		4 4A	-----	-----	A	2	13220-MCS-000	7122971
10	BEARING A, R. CONNECTING ROD (BLUE)	3 3A	-----	-----	AC	4	13224-MCS-003	7122989
		4 4A	-----	-----	A	4	13224-MCS-003	7122989
	BEARING B, R. CONNECTING ROD (BLACK)	3 3A	-----	-----	AC	4	13225-MCS-003	7122997
		4 4A	-----	-----	A	4	13225-MCS-003	7122997
	BEARING C, R. CONNECTING ROD (BROWN)	3 3A	-----	-----	AC	4	13226-MCS-003	7123003
		4 4A	-----	-----	A	4	13226-MCS-003	7123003
	BEARING D, R. CONNECTING ROD (GREEN)	3 3A	-----	-----	AC	4	13227-MCS-003	7123011
		4 4A	-----	-----	A	4	13227-MCS-003	7123011

CRANK SHAFT • PISTON

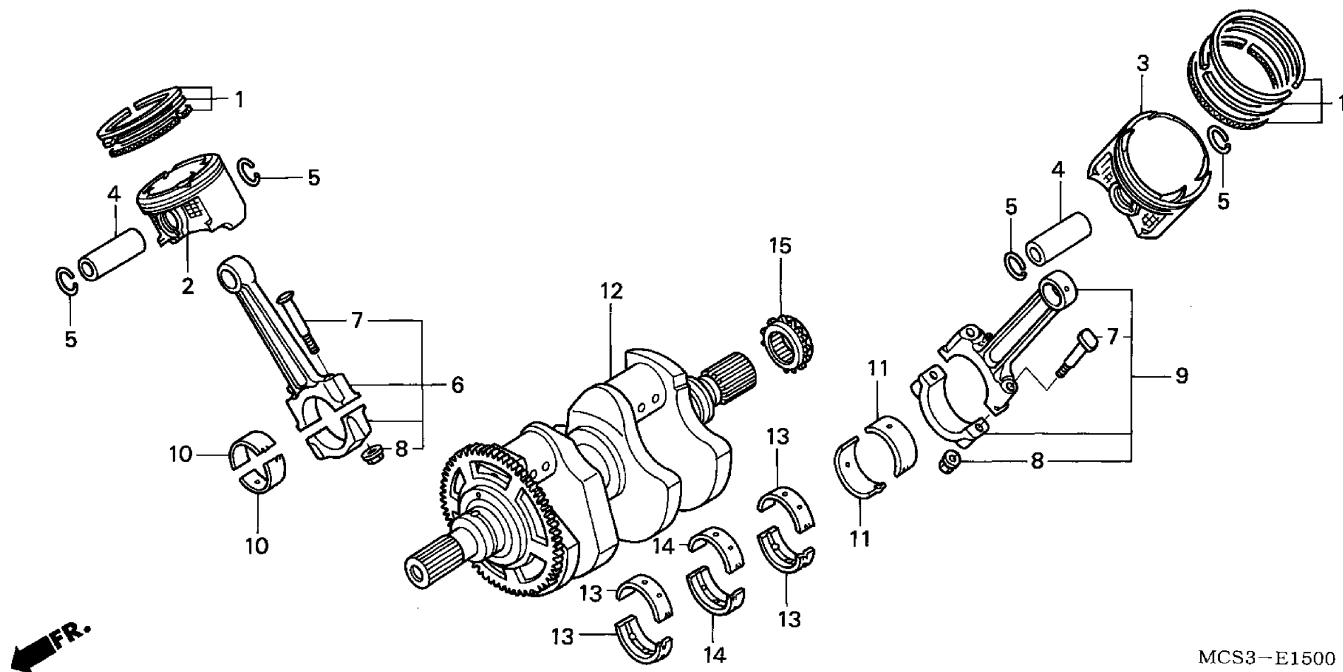
3 =ST1300'03
 3A=ST1300A'03
 4 =ST1300'04
 4A=ST1300A'04

E-15

Engine
Serial Number

Ref	Description	Model	From	To	AREA	QTY	Part Number	H/C
10	BEARING E, R. CONNECTING ROD (YELLOW)	3 3A	-----	-----	AC	4	13228-MCS-003	7123029
		4 4A	-----	-----	A	4	13228-MCS-003	7123029
11	BEARING A, L. CONNECTING ROD (BLUE)	3 3A	-----	-----	AC	4	13234-MCS-003	7123037
		4 4A	-----	-----	A	4	13234-MCS-003	7123037
	BEARING B, L. CONNECTING ROD (BLACK)	3 3A	-----	-----	AC	4	13235-MCS-003	7123045
		4 4A	-----	-----	A	4	13235-MCS-003	7123045
	BEARING C, L. CONNECTING ROD (BROWN)	3 3A	-----	-----	AC	4	13236-MCS-003	7123052
		4 4A	-----	-----	A	4	13236-MCS-003	7123052
	BEARING D, L. CONNECTING ROD (GREEN)	3 3A	-----	-----	AC	4	13237-MCS-003	7123060
		4 4A	-----	-----	A	4	13237-MCS-003	7123060
	BEARING E, L. CONNECTING ROD (YELLOW)	3 3A	-----	-----	AC	4	13238-MCS-003	7123078
		4 4A	-----	-----	A	4	13238-MCS-003	7123078
12	CRANKSHAFT	3 3A	-----	-----	AC	1	13300-MCS-000	7123086
		4 4A	-----	-----	A	1	13300-MCS-000	7123086
13	BEARING A, CRANKSHAFT (BLUE)	3 3A	-----	-----	AC	4	13313-MCS-003	7123094
		4 4A	-----	-----	A	4	13313-MCS-003	7123094
	BEARING B, CRANKSHAFT (BLACK)	3 3A	-----	-----	AC	4	13314-MCS-003	7123102
		4 4A	-----	-----	A	4	13314-MCS-003	7123102
	BEARING C, CRANKSHAFT (BROWN)	3 3A	-----	-----	AC	4	13315-MCS-003	7123110
		4 4A	-----	-----	A	4	13315-MCS-003	7123110
	BEARING D, CRANKSHAFT (GREEN)	3 3A	-----	-----	AC	4	13316-MCS-003	7123128
		4 4A	-----	-----	A	4	13316-MCS-003	7123128
	BEARING E, CRANKSHAFT (YELLOW)	3 3A	-----	-----	AC	4	13317-MCS-003	7123136
		4 4A	-----	-----	A	4	13317-MCS-003	7123136
14	BEARING A, CRANKSHAFT CENTER (BLUE)	3 3A	-----	-----	AC	2	13363-MCS-003	7123169
		4 4A	-----	-----	A	2	13363-MCS-003	7123169
	BEARING B, CRANKSHAFT CENTER (BLACK)	3 3A	-----	-----	AC	2	13364-MCS-003	7123177
		4 4A	-----	-----	A	2	13364-MCS-003	7123177
	BEARING C, CRANKSHAFT CENTER (BROWN)	3 3A	-----	-----	AC	2	13365-MCS-003	7123185
		4 4A	-----	-----	A	2	13365-MCS-003	7123185
	BEARING D, CRANKSHAFT CENTER (GREEN)	3 3A	-----	-----	AC	2	13366-MCS-003	7123193
		4 4A	-----	-----	A	2	13366-MCS-003	7123193

CRANK SHAFT • PISTON



MCS3-E1500

MCS3E1500

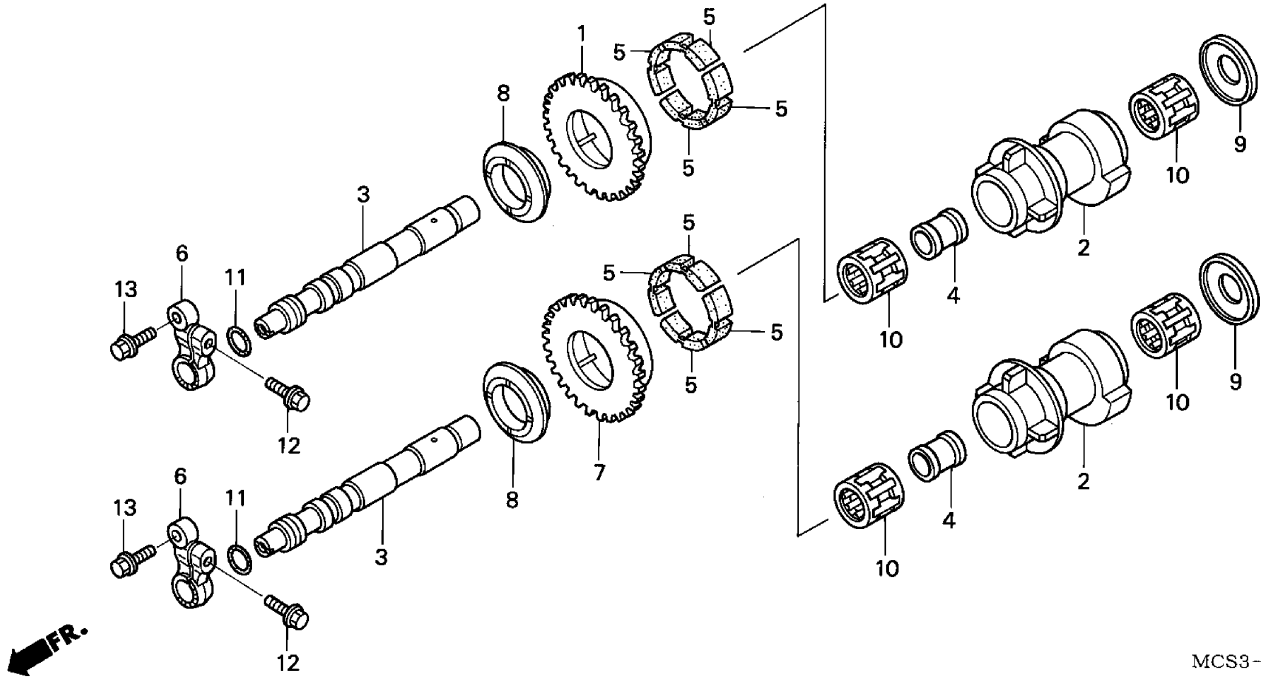
3 =ST1300'03
 3A=ST1300A'03
 4 =ST1300'04
 4A=ST1300A'04

E-15

Engine
 Serial Number

Ref	Description	Model	From	To	AREA	QTY	Part Number	H/C
14	BEARING E, CRANKSHAFT CENTER (YELLOW)	3 3A	-----	-----	AC	2	13367-MCS-003	7123201
		4 4A	-----	-----	A	2	13367-MCS-003	7123201
15	SPROCKET, OIL PUMP DRIVE (22T)	3 3A	-----	-----	AC	1	13371-MCS-000	7123219
		4 4A	-----	-----	A	1	13371-MCS-000	7123219

BALANCER SHAFT



MCS3-E1600

MCS3E1600

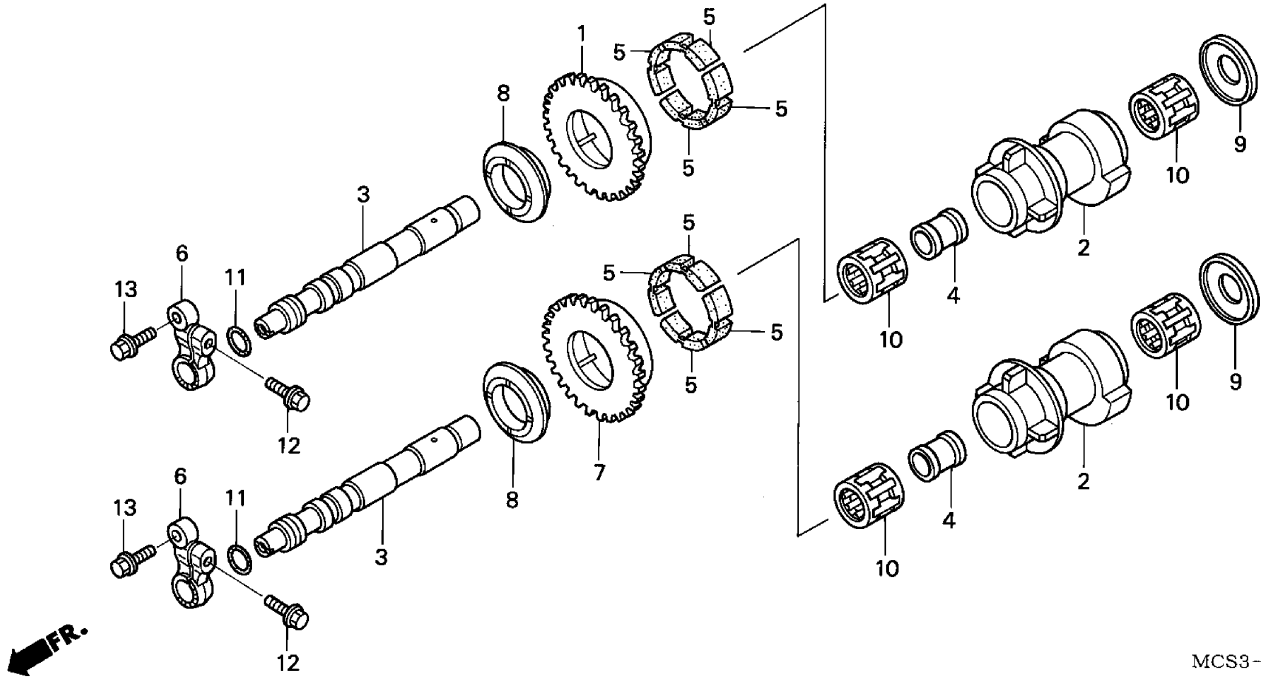
3 =ST1300'03
 3A=ST1300A'03
 4 =ST1300'04
 4A=ST1300A'04

E-16

Engine
 Serial Number

Ref	Description	Model	From	To	AREA	QTY	Part Number	H/C
1	GEAR, BALANCER (UPPER) (40T).....	3 3A	-----	-----	AC	1	13421-MCS-000	7123227
		4 4A	-----	-----	A	1	13421-MCS-000	7123227
2	WEIGHT, BALANCER	3 3A	-----	-----	AC	2	13422-MCS-000	7123235
		4 4A	-----	-----	A	2	13422-MCS-000	7123235
3	SHAFT, BALANCER.....	3 3A	-----	-----	AC	2	13426-MCS-000	7123243
		4 4A	-----	-----	A	2	13426-MCS-000	7123243
4	COLLAR, DISTANCE	3 3A	-----	-----	AC	2	13433-MCS-000	7123268
		4 4A	-----	-----	A	2	13433-MCS-000	7123268
5	RUBBER, DAMPER	3 3A	-----	-----	AC	8	13435-MAT-000	5212600
		4 4A	-----	-----	A	8	13435-MAT-000	5212600
6	HOLDER, BALANCER SHAFT.....	3 3A	-----	-----	AC	2	13436-MAT-010	5265434
		4 4A	-----	-----	A	2	13436-MAT-010	5265434
7	GEAR, BALANCER (LOWER)	3 3A	-----	-----	AC	1	13521-MCS-000	7123276
		4 4A	-----	-----	A	1	13521-MCS-000	7123276
8	WASHER A, BALANCER SIDE	3 3A	-----	-----	AC	2	90457-MCS-000	7128911
		4 4A	-----	-----	A	2	90457-MCS-000	7128911
9	WASHER B, BALANCER SIDE	3 3A	-----	-----	AC	2	90458-MAT-000	5216262
		4 4A	-----	-----	A	2	90458-MAT-000	5216262
10	BEARING A, NEEDLE (18X27X26.8).....	3 3A	-----	-----	AC	4	91014-MAT-003	5216387
		4 4A	-----	-----	A	4	91014-MAT-003	5216387
	BEARING B, NEEDLE (18X27X26.8).....	3 3A	-----	-----	AC	4	91015-MAT-003	5216395

BALANCER SHAFT



MCS3-E1600

MCS3E1600

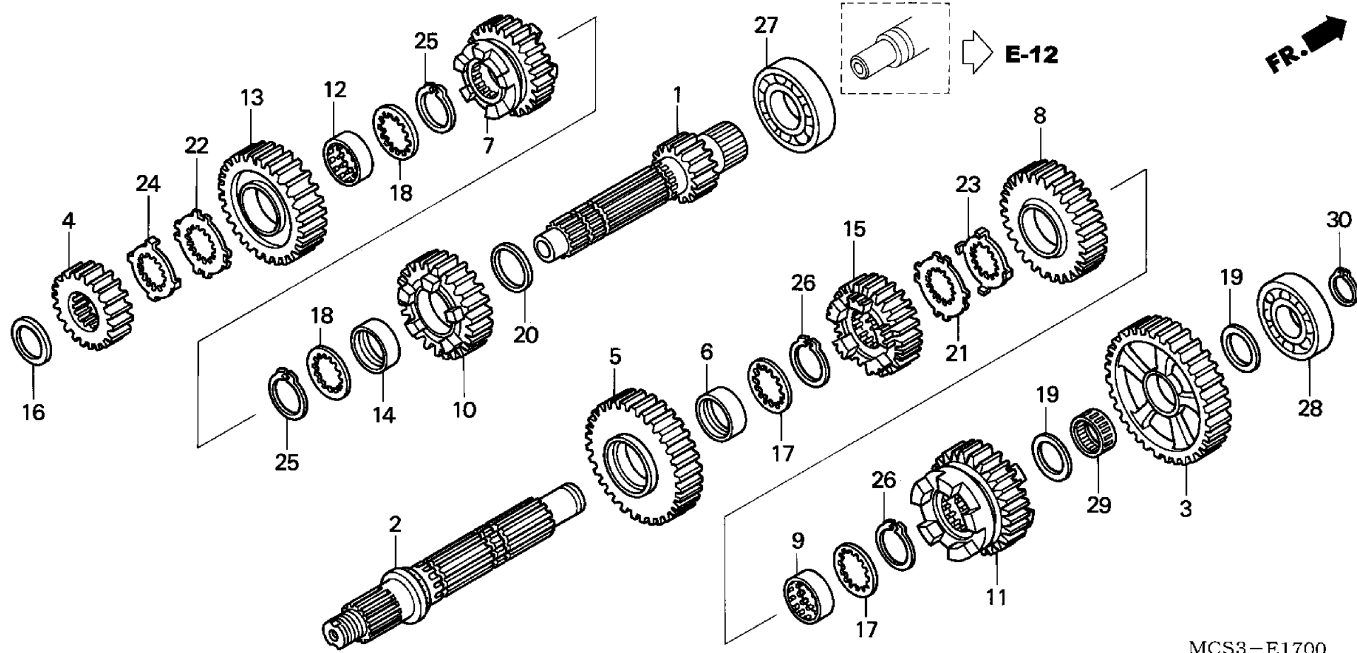
3 =ST1300'03
 3A=ST1300A'03
 4 =ST1300'04
 4A=ST1300A'04

E-16

Engine
 Serial Number

Ref	Description	Model	From	To	AREA	QTY	Part Number	H/C
10	BEARING B, NEEDLE (18X27X26.8).....	4 4A	-----	-----	A	4	91015-MAT-003	5216395
	BEARING C, NEEDLE (18X27X26.8)	3 3A	-----	-----	AC	4	91016-MAT-003	5216403
		4 4A	-----	-----	A	4	91016-MAT-003	5216403
	BEARING D, NEEDLE (18X27X26.8)	3 3A	-----	-----	AC	4	91017-MAT-003	5216411
		4 4A	-----	-----	A	4	91017-MAT-003	5216411
	BEARING E, NEEDLE (18X27X26.8).....	3 3A	-----	-----	AC	4	91018-MAT-003	5216429
		4 4A	-----	-----	A	4	91018-MAT-003	5216429
11	O-RING (15X2.5)	3 3A	-----	-----	AC	2	91302-377-000	0386995
		4 4A	-----	-----	A	2	91302-377-000	0386995
12	BOLT, FLANGE (6X18)	3 3A	-----	-----	AC	2	95700-06018-00	0481184
		4 4A	-----	-----	A	2	95700-06018-00	0481184
	BOLT, FLANGE (6X18)	3 3A	-----	-----	AC	2	95701-06018-00	2410900
		4 4A	-----	-----	A	2	95701-06018-00	2410900
13	BOLT, FLANGE (8X25)	3 3A	-----	-----	AC	2	95701-08025-00	2545325
		4 4A	-----	-----	A	2	95701-08025-00	2545325

TRANSMISSION



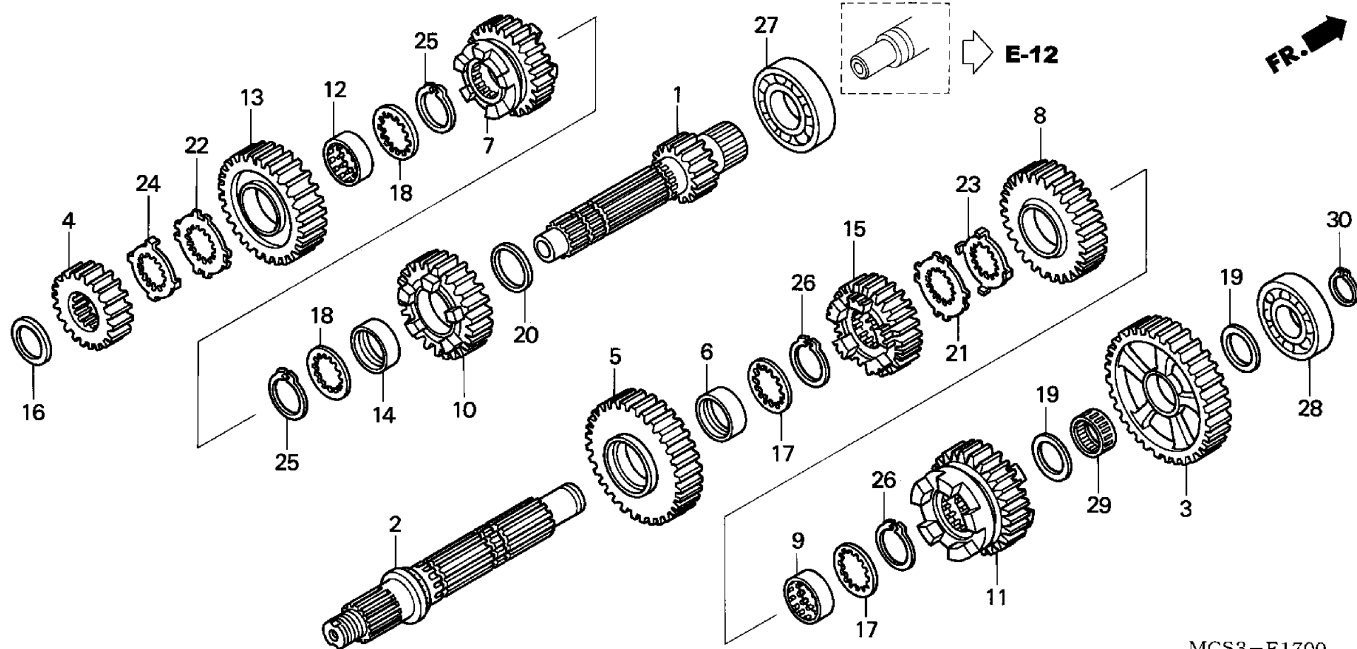
3 =ST1300'03
 3A=ST1300A'03
 4 =ST1300'04
 4A=ST1300A'04

E-17

 Engine
 Serial Number

Ref	Description	Model	From	To	AREA	QTY	Part Number	H/C
1	MAINSHAFT (14T)	3 3A	-----	-----	AC	1	23211-MCS-000	7124720
		4 4A	-----	-----	A	1	23211-MCS-000	7124720
2	COUNTERSHAFT	3 3A	-----	-----	AC	1	23220-MCS-010	7124738
		4 4A	-----	-----	A	1	23220-MCS-010	7124738
3	GEAR, COUNTERSHAFT FIRST (36T)	3 3A	-----	-----	AC	1	23421-MCS-000	7124753
		4 4A	-----	-----	A	1	23421-MCS-000	7124753
4	GEAR, MAINSHAFT SECOND (18T)	3 3A	-----	-----	AC	1	23431-MCS-000	7124761
		4 4A	-----	-----	A	1	23431-MCS-000	7124761
5	GEAR, COUNTERSHAFT SECOND (31T)	3 3A	-----	-----	AC	1	23441-MCS-000	7124779
		4 4A	-----	-----	A	1	23441-MCS-000	7124779
6	COLLAR (30X11.2)	3 3A	-----	-----	AC	1	23442-MS2-610	3373461
		4 4A	-----	-----	A	1	23442-MS2-610	3373461
7	GEAR, MAINSHAFT THIRD (21T)	3 3A	-----	-----	AC	1	23451-MCS-000	7124787
		4 4A	-----	-----	A	1	23451-MCS-000	7124787
8	GEAR, COUNTERSHAFT THIRD (27T)	3 3A	-----	-----	AC	1	23461-MCS-000	7124795
		4 4A	-----	-----	A	1	23461-MCS-000	7124795
9	COLLAR, SPLINE (30X11)	3 3A	-----	-----	AC	1	23462-MAT-000	5213897
		4 4A	-----	-----	A	1	23462-MAT-000	5213897
10	GEAR, MAINSHAFT FOURTH (24T)	3 3A	-----	-----	AC	1	23471-MCS-000	7124803
		4 4A	-----	-----	A	1	23471-MCS-000	7124803
11	GEAR, COUNTERSHAFT FOURTH (25T)	3 3A	-----	-----	AC	1	23481-MCS-000	7124811

TRANSMISSION



MCS3-E1700

MCS3E1700

3 =ST1300'03
 3A=ST1300A'03
 4 =ST1300'04
 4A=ST1300A'04

E-17

Engine
 Serial Number

Ref	Description	Model	From	To	AREA	QTY	Part Number	H/C
11	GEAR, COUNTERSHAFT FOURTH (25T)	4 4A	-----	-----	A	1	23481-MCS-000	7124811
12	COLLAR, SPLINE (28X13.5)	3 3A	-----	-----	AC	1	23482-MR7-000	3447331
		4 4A	-----	-----	A	1	23482-MR7-000	3447331
13	GEAR, MAINSHAFT FIFTH (29T)	3 3A	-----	-----	AC	1	23491-MCS-000	7124829
		4 4A	-----	-----	A	1	23491-MCS-000	7124829
14	COLLAR (28X13)	3 3A	-----	-----	AC	1	23495-MM5-000	2548907
		4 4A	-----	-----	A	1	23495-MM5-000	2548907
15	GEAR, COUNTERSHAFT FIFTH (25T)	3 3A	-----	-----	AC	1	23501-MCS-000	7124837
		4 4A	-----	-----	A	1	23501-MCS-000	7124837
16	WASHER, SPECIAL (22MM)	3 3A	-----	-----	AC	1	90451-MCS-000	7128903
		4 4A	-----	-----	A	1	90451-MCS-000	7128903
17	WASHER, SPLINE (30X36X1.5)	3 3A	-----	-----	AC	2	90452-MAT-000	5216247
		4 4A	-----	-----	A	2	90452-MAT-000	5216247
18	WASHER, SPLINE (28X34X1.5)	3 3A	-----	-----	AC	2	90452-MR7-000	3141686
		4 4A	-----	-----	A	2	90452-MR7-000	3141686
19	WASHER B, THRUST (22MM).....	3 3A	-----	-----	AC	2	90455-ML7-000	2408631
		4 4A	-----	-----	A	2	90455-ML7-000	2408631
20	WASHER, THRUST (28MM)	3 3A	-----	-----	AC	1	90458-729-920	2458610
		4 4A	-----	-----	A	1	90458-729-920	2458610
21	WASHER, SPLINE (30MM)	3 3A	-----	-----	AC	1	90463-MAT-000	5216270
		4 4A	-----	-----	A	1	90463-MAT-000	5216270

TRANSMISSION

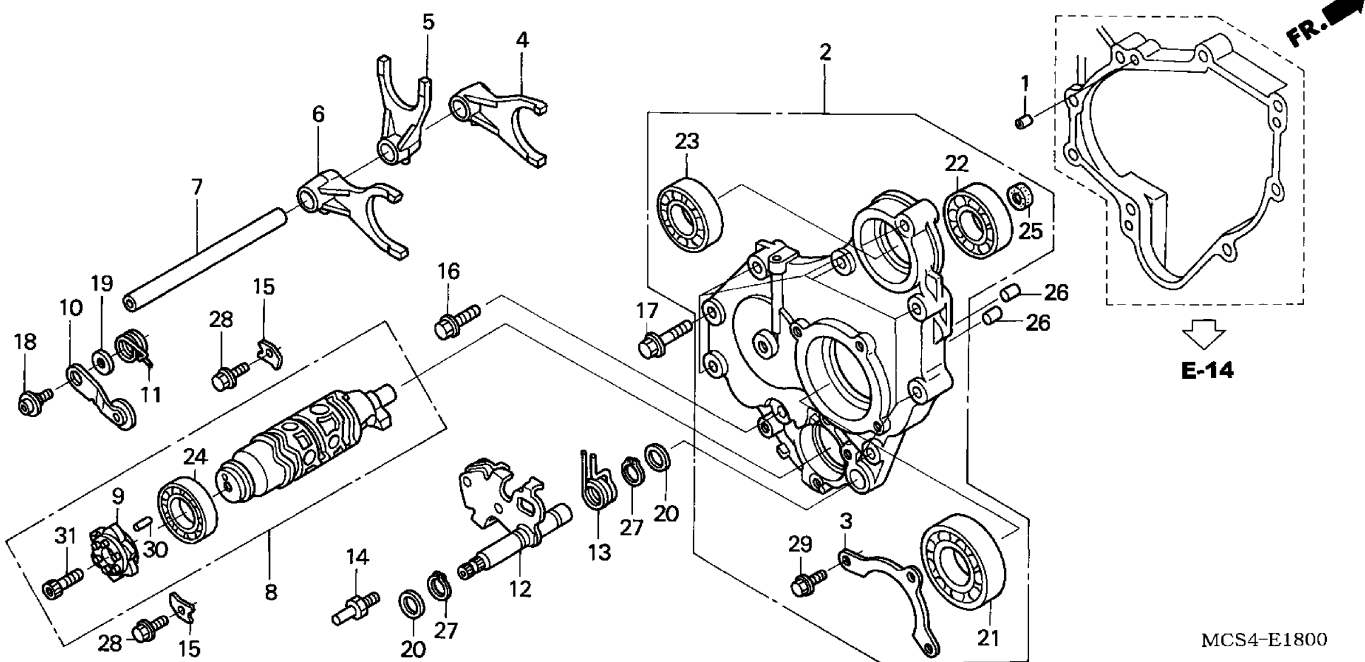
3 =ST1300'03
 3A=ST1300A'03
 4 =ST1300'04
 4A=ST1300A'04

E-17

Engine
 Serial Number

Ref	Description	Model	From	To	AREA	QTY	Part Number	H/C
22	WASHER, SPLINE (28MM)	3 3A	-----	-----	AC	1	90463-MR7-000	3453446
		4 4A	-----	-----	A	1	90463-MR7-000	3453446
23	WASHER, LOCK (30MM).....	3 3A	-----	-----	AC	1	90464-MAT-000	5216288
		4 4A	-----	-----	A	1	90464-MAT-000	5216288
24	WASHER, LOCK (28MM).....	3 3A	-----	-----	AC	1	90464-MR7-000	3453453
		4 4A	-----	-----	A	1	90464-MR7-000	3453453
25	CIRCLIP (28MM)	3 3A	-----	-----	AC	2	90602-MM5-000	2552024
		4 4A	-----	-----	A	2	90602-MM5-000	2552024
	CIRCLIP (28MM)	3 3A	-----	-----	AC	2	90603-MN4-000	2545002
		4 4A	-----	-----	A	2	90603-MN4-000	2545002
26	CIRCLIP (30MM)	3 3A	-----	-----	AC	2	90604-MM5-000	2552032
		4 4A	-----	-----	A	2	90604-MM5-000	2552032
27	BEARING, RADIAL BALL (31X65X16).....	3 3A	-----	-----	AC	1	91002-MCS-003	7128945
		4 4A	-----	-----	A	1	91002-MCS-003	7128945
28	BEARING, SPECIAL RADIAL BALL (63/22)	3 3A	-----	-----	AC	1	91003-MCS-003	7128952
		4 4A	-----	-----	A	1	91003-MCS-003	7128952
29	BEARING, NEEDLE (22X26X11).....	3 3A	-----	-----	AC	1	91026-MB4-003	1431451
		4 4A	-----	-----	A	1	91026-MB4-003	1431451
30	CIRCLIP (OUTER) (22MM)	3 3A	-----	-----	AC	1	94510-22000	0128157
		4 4A	-----	-----	A	1	94510-22000	0128157

GEARSHIFT DRUM



MCS4-E1800

MCS4E1800

3 =ST1300'03
 3A=ST1300A'03
 4 =ST1300'04
 4A=ST1300A'04

E-18

Engine
 Serial Number

Ref	Description	Model	From	To	AREA	QTY	Part Number	H/C
1	ORIFICE B (1.6MM)	3 3A	-----	-----	AC	1	11206-MCS-000	7122658
		4 4A	-----	-----	A	1	11206-MCS-000	7122658
2	HOLDER, TRANSMISSION BEARING	3 3A	-----	-----	AC	1	21120-MCS-000	7124530
		4 4A	-----	-----	A	1	21120-MCS-000	7124530
3	PLATE, COUNTERSHAFT BEARING SETTING	3 3A	-----	-----	AC	1	23222-MCS-000	7124746
		4 4A	-----	-----	A	1	23222-MCS-000	7124746
4	FORK, FR. GEARSHIFT	3 3A	-----	-----	AC	1	24211-MCS-000	7124886
		4 4A	-----	-----	A	1	24211-MCS-000	7124886
5	FORK, CENTER GEARSHIFT	3 3A	-----	-----	AC	1	24212-MCS-000	7124894
		4 4A	-----	-----	A	1	24212-MCS-000	7124894
6	SWINGARM, GEARSHIFT	3 3A	-----	-----	AC	1	24213-MCS-000	7124902
		4 4A	-----	-----	A	1	24213-MCS-000	7124902
7	SHAFT, GEARSHIFT FORK	3 3A	-----	-----	AC	1	24261-MCS-000	7124910
		4 4A	-----	-----	A	1	24261-MCS-000	7124910
8	DRUM, GEARSHIFT	3 3A	-----	-----	AC	1	24310-MCS-000	7124936
		4 4A	-----	-----	A	1	24310-MCS-000	7124936
9	CENTER, SHIFT DRUM.....	3 3A	-----	-----	AC	1	24315-MAS-E00	5737713
		4 4A	-----	-----	A	1	24315-MAS-E00	5737713
10	ARM, GEARSHIFT DRUM STOPPER	3 3A	-----	-----	AC	1	24430-096-700	2273522
		4 4A	-----	-----	A	1	24430-096-700	2273522

GEARSHIFT DRUM

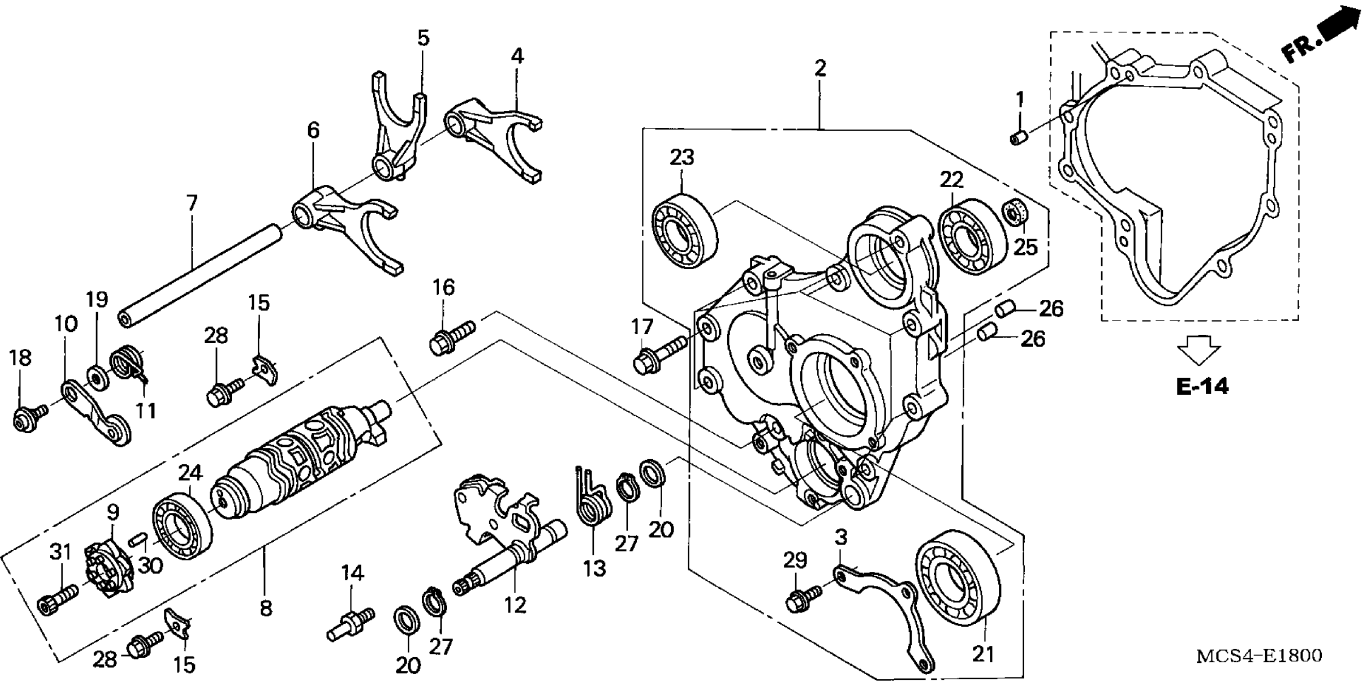
3 =ST1300'03
 3A=ST1300A'03
 4 =ST1300'04
 4A=ST1300A'04

E-18

Engine
Serial Number

Ref	Description	Model	From	To	AREA	QTY	Part Number	H/C
11	SPRING, GEARSHIFT DRUM STOPPER ..	3 3A	-----	-----	AC	1	24435-MCS-000	7124944
		4 4A	-----	-----	A	1	24435-MCS-000	7124944
12	SPINDLE, GEARSHIFT	3 3A	-----	-----	AC	1	24610-MCS-000	7124951
		4 4A	-----	-----	A	1	24610-MCS-000	7124951
13	SPRING, SHIFT RETURN	3 3A	-----	-----	AC	1	24651-MBB-000	5363288
		4 4A	-----	-----	A	1	24651-MBB-000	5363288
14	PIN, SHIFT RETURN SPRING.....	3 3A	-----	-----	AC	1	24652-035-000	0070698
		4 4A	-----	-----	A	1	24652-035-000	0070698
15	PLATE, SHIFT DRUM BEARING SETTING	3 3A	-----	-----	AC	2	24655-MCS-000	7124969
		4 4A	-----	-----	A	2	24655-MCS-000	7124969
16	BOLT, FLANGE (8X32)	3 3A	-----	-----	AC	1	90002-MCS-000	7128531
		4 4A	-----	-----	A	1	90002-MCS-000	7128531
17	BOLT, FLANGE (8X40)	3 3A	-----	-----	AC	8	90003-MCS-000	7128549
		4 4A	-----	-----	A	8	90003-MCS-000	7128549
18	PIVOT, SHIFT DRUM STOPPER ARM	3 3A	-----	-----	AC	1	90022-MY5-600	4517686
		4 4A	-----	-----	A	1	90022-MY5-600	4517686
19	WASHER, DRUM STOPPER.....	3 3A	-----	-----	AC	1	90417-360-000	0341099
		4 4A	-----	-----	A	1	90417-360-000	0341099
20	WASHER (14MM).....	3 3A	-----	-----	AC	2	90451-155-000	1032143
		4 4A	-----	-----	A	2	90451-155-000	1032143
21	BEARING, SPECIAL RADIAL BALL (63/28)	3 3A	-----	-----	AC	1	91001-MCS-003	7128937
		4 4A	-----	-----	A	1	91001-MCS-003	7128937
22	BEARING, SPECIAL RADIAL BALL (63/22)	3 3A	-----	-----	AC	1	91003-MCS-003	7128952
		4 4A	-----	-----	A	1	91003-MCS-003	7128952
23	BEARING, RADIAL BALL (22X52X15).....	3 3A	-----	-----	AC	1	91005-MCS-003	7128960
		4 4A	-----	-----	A	1	91005-MCS-003	7128960
24	BEARING, BALL (16005) (NTN CORP.)	3 3A	-----	-----	AC	1	91008-374-003	0362855
		4 4A	-----	-----	A	1	91008-374-003	0362855
25	OIL SEAL (8X16X5.5).....	3 3A	-----	-----	AC	1	91209-MCS-000	7129026
		4 4A	-----	-----	A	1	91209-MCS-000	7129026
26	PIN, DOWEL (8X14).....	3 3A	-----	-----	AC	2	94302-08140	0251777
		4 4A	-----	-----	A	2	94302-08140	0251777
27	CIRCLIP (OUTER) (14MM)	3 3A	-----	-----	AC	2	94510-14000	0213389
		4 4A	-----	-----	A	2	94510-14000	0213389
28	BOLT, FLANGE (6X12)	3 3A	-----	-----	AC	2	95701-06012-00	2105799
		4 4A	-----	-----	A	2	95701-06012-00	2105799
29	BOLT, FLANGE (6X16)	3 3A	-----	-----	AC	3	95701-06016-00	2410892
		4 4A	-----	-----	A	3	95701-06016-00	2410892
30	ROLLER (4X8)	3 3A	-----	-----	AC	1	96220-40080	1357383
		4 4A	-----	-----	A	1	96220-40080	1357383

GEARSHIFT DRUM



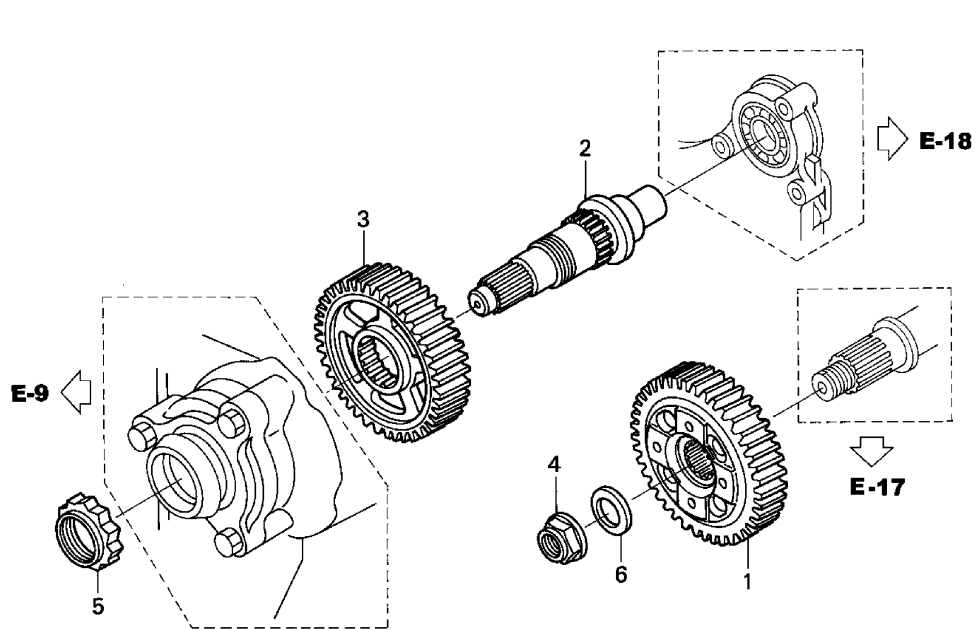
MCS4-E1800

MCS4E1800

3 =ST1300'03 3A=ST1300A'03 4 =ST1300'04 4A=ST1300A'04	E-18 Engine Serial Number	
--	-------------------------------------	--

Ref	Description	Model	From	To	AREA	QTY	Part Number	H/C
31	BOLT, SOCKET (8X20)	3 3A	-----	-----	AC	1	96600-08020-10	4046967
		4 4A	-----	-----	A	1	96600-08020-10	4046967

FINAL GEAR



MCS3-E1900

MCS3E1900

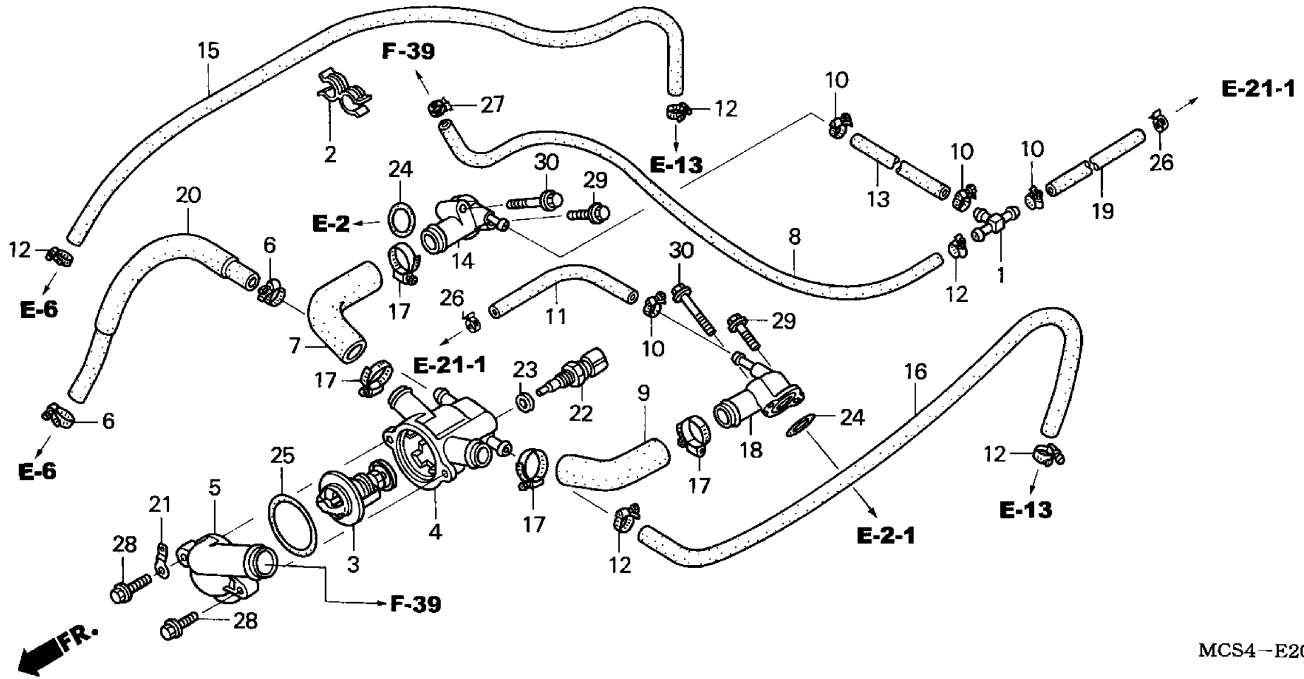
3 =ST1300'03
 3A=ST1300A'03
 4 =ST1300'04
 4A=ST1300A'04

E-19

 Engine
 Serial Number

Ref	Description	Model	From	To	AREA	QTY	Part Number	H/C
1	GEAR, FINAL DRIVE (40T)	3 3A	-----	-----	AC	1	23510-MCS-000	7124845
		4 4A	-----	-----	A	1	23510-MCS-000	7124845
2	SHAFT, FINAL GEAR.....	3 3A	-----	-----	AC	1	23521-MCS-010	7124852
		4 4A	-----	-----	A	1	23521-MCS-010	7124852
3	GEAR, FINAL DRIVEN (37T)	3 3A	-----	-----	AC	1	23531-MCS-000	7124860
		4 4A	-----	-----	A	1	23531-MCS-000	7124860
4	NUT, SPECIAL (22MM)	3 3A	-----	-----	AC	1	90205-MN5-000	2810943
		4 4A	-----	-----	A	1	90205-MN5-000	2810943
5	NUT, LOCK (30MM)	3 3A	-----	-----	AC	1	90241-MB0-000	1243559
		4 4A	-----	-----	A	1	90241-MB0-000	1243559
6	WASHER, SPRING (22MM).....	3 3A	-----	-----	AC	1	90421-MN5-003	2811057
		4 4A	-----	-----	A	1	90421-MN5-003	2811057

WATER PIPE



MCS4-E2000A

MCS4E2000A

3 =ST1300'03
 3A=ST1300A'03
 4 =ST1300'04
 4A=ST1300A'04

E-20

 Engine
 Serial Number

Ref	Description	Model	From	To	AREA	QTY	Part Number	H/C
1	JOINT, FUEL TUBE	3 3A	-----	-----	AC	1	16961-MK7-000	2313237
		4 4A	-----	-----	A	1	16961-MK7-000	2313237
2	CLIP, TUBE	3 3A	-----	-----	AC	1	17450-KY7-740	2951077
		4 4A	-----	-----	A	1	17450-KY7-740	2951077
3	THERMOSTAT	3 3A	-----	-----	AC	1	19300-MBT-003	6428387
		4 4A	-----	-----	A	1	19300-MBT-003	6428387
4	CASE, THERMOSTAT	3 3A	-----	-----	AC	1	19310-MCS-010	7124324
		4 4A	-----	-----	A	1	19310-MCS-010	7124324
5	COVER, THERMOSTAT	3 3A	-----	-----	AC	1	19315-MCS-010	7124332
		4 4A	-----	-----	A	1	19315-MCS-010	7124332
6	CLAMP, HOSE (25MM)	3 3A	-----	-----	AC	2	19504-KT7-751	7124365
		4 4A	-----	-----	A	2	19504-KT7-751	7124365
7	HOSE, R. WATER	3 3A	-----	-----	AC	1	19504-MCS-000	7124373
		3 3A	-----	-----	AC	1	19504-MCS-010	7216989
	HOSE, R. WATER	4 4A	-----	-----	A	1	19504-MCS-010	7216989
8	HOSE A, WATER	3 3A	-----	-----	AC	1	19505-MCS-010	7124381
		4 4A	-----	-----	A	1	19505-MCS-010	7124381
9	HOSE, L. WATER	3 3A	-----	-----	AC	1	19506-MCS-000	7124399
		3 3A	-----	-----	AC	1	19506-MCS-010	7216997
	HOSE, L. WATER	4 4A	-----	-----	A	1	19506-MCS-010	7216997
10	CLAMP, RADIATOR HOSE	3 3A	-----	-----	AC	4	19507-MAT-000	5319520

WATER PIPE

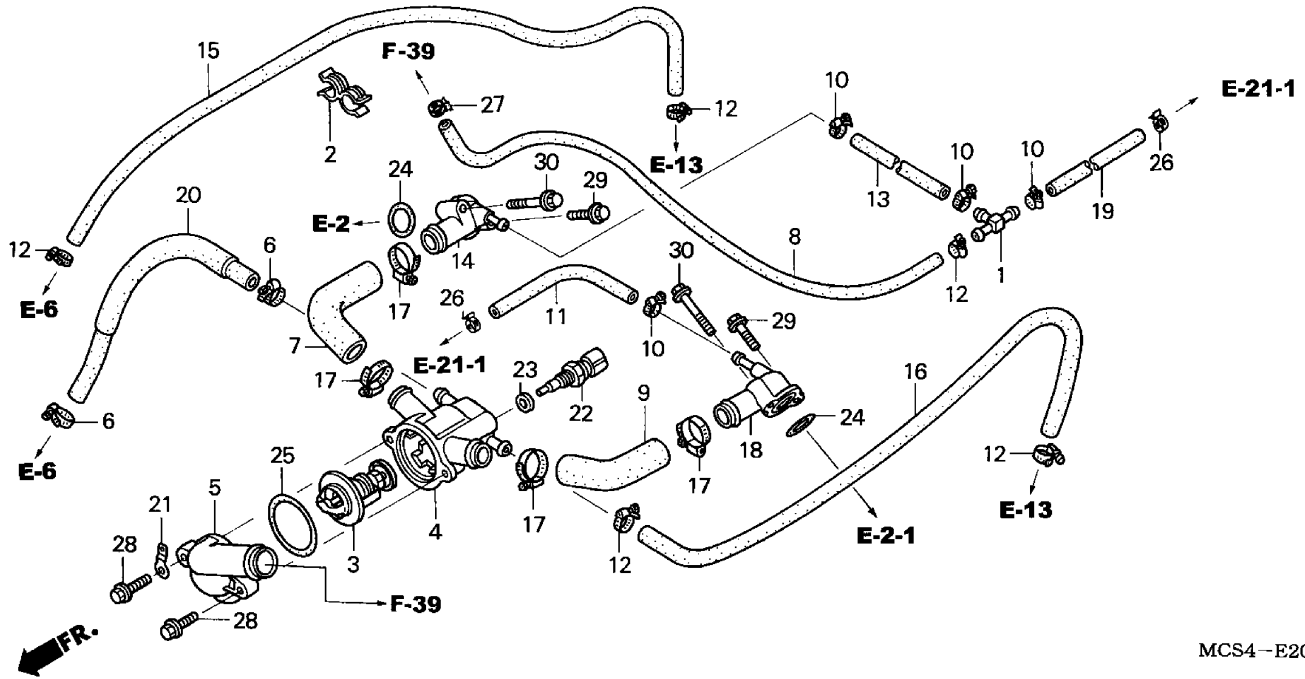
3 =ST1300'03
 3A=ST1300A'03
 4 =ST1300'04
 4A=ST1300A'04

E-20

 Engine
 Serial Number

Ref	Description	Model	From	To	AREA	QTY	Part Number	H/C
10	CLAMP, RADIATOR HOSE	4 4A	-----	-----	A	4	19507-MAT-000	5319520
11	HOSE B, WATER	3 3A	-----	-----	AC	1	19507-MCS-000	7124407
		4 4A	-----	-----	A	1	19507-MCS-000	7124407
12	CLAMP, BREATHER HOSE.....	3 3A	-----	-----	AC	5	19507-MK4-620	3246543
		4 4A	-----	-----	A	5	19507-MK4-620	3246543
13	HOSE C, WATER.....	3 3A	-----	-----	AC	1	19508-MCS-010	7124415
		4 4A	-----	-----	A	1	19508-MCS-010	7124415
14	JOINT, R. WATER	3 3A	-----	-----	AC	1	19510-MCS-000	7124423
		4 4A	-----	-----	A	1	19510-MCS-000	7124423
15	HOSE E, WATER (NA USE ALT:19513-MCS-000).....	3 3A	-----	2100300	AC	1	19511-MCS-000	7124431
		3 3A	2100301	-----	AC	1	19513-MCS-000	7217003
	HOSE E, WATER	4 4A	-----	-----	A	1	19513-MCS-000	7217003
		4 4A	-----	-----	A	1	19513-MCS-000	7217003
16	HOSE F, WATER	3 3A	-----	-----	AC	1	19512-MCS-000	7124449
		4 4A	-----	-----	A	1	19512-MCS-000	7124449
17	CLAMP, HOSE (22-29).....	3 3A	-----	-----	AC	4	19517-ML7-691	3939634
		4 4A	-----	-----	A	4	19517-ML7-691	3939634
18	JOINT, L. WATER	3 3A	-----	-----	AC	1	19520-MCS-000	7124464
		4 4A	-----	-----	A	1	19520-MCS-000	7124464
19	HOSE B, IN. MANIFOLD	3 3A	-----	-----	AC	1	19522-MZ8-H00	5825088
		4 4A	-----	-----	A	1	19522-MZ8-H00	5825088
20	HOSE G, WATER.....	3 3A	-----	-----	AC	1	19528-MCS-000	7124472
		4 4A	-----	-----	A	1	19528-MCS-000	7124472
21	CONNECTOR, GROUND.....	3 3A	-----	-----	AC	1	32152-MB3-000	1753920
		4 4A	-----	-----	A	1	32152-MB3-000	1753920
22	SENSOR ASSY., WATER TEMPERATURE	3 3A	-----	-----	AC	1	37870-MBG-003	5774591
		4 4A	-----	-----	A	1	37870-MBG-003	5774591
23	WASHER, SPECIAL (12MM)	3 3A	-----	-----	AC	1	90454-MC7-000	1210848
		4 4A	-----	-----	A	1	90454-MC7-000	1210848
24	O-RING (21.2X2.4) (ARAI).....	3 3A	-----	-----	AC	2	91331-PC9-003	1352517
		4 4A	-----	-----	A	2	91331-PC9-003	1352517
25	O-RING (43.5X2) (NOK).....	3 3A	-----	-----	AC	1	91361-SF4-951	3676939
		4 4A	-----	-----	A	1	91361-SF4-951	3676939
26	CLAMP, FUEL HOSE (D10.5)	3 3A	-----	-----	AC	2	91406-SL4-931	3778867
		4 4A	-----	-----	A	2	91406-SL4-931	3778867
27	CLIP, TUBE (D12.5).....	3 3A	-----	-----	AC	1	95002-41250-08	0665257
		4 4A	-----	-----	A	1	95002-41250-08	0665257
28	BOLT, FLANGE (6X22)	3 3A	-----	-----	AC	2	96001-06022-00	2112191
		4 4A	-----	-----	A	2	96001-06022-00	2112191
29	BOLT, FLANGE (6X25)	3 3A	-----	-----	AC	2	96001-06025-00	2105989

WATER PIPE



MCS4-E2000A

MCS4E2000A

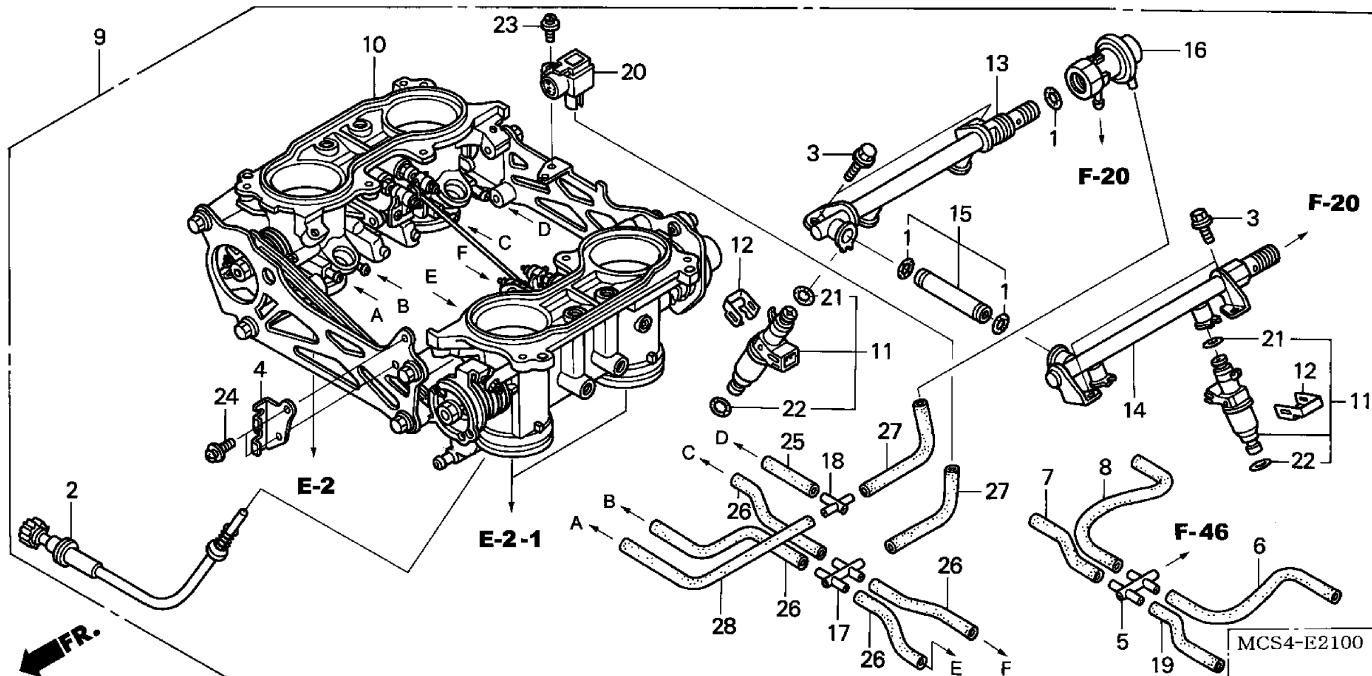
3 =ST1300'03
 3A=ST1300A'03
 4 =ST1300'04
 4A=ST1300A'04

E-20

 Engine
 Serial Number

Ref	Description	Model	From	To	AREA	QTY	Part Number	H/C
29	BOLT, FLANGE (6X25)	4 4A	-----	-----	A	2	96001-06025-00	2105989
30	BOLT, FLANGE (6X40)	3 3A	-----	-----	AC	2	96001-06040-00	2106037
		4 4A	-----	-----	A	2	96001-06040-00	2106037

THROTTLE BODY (ASSY.)



MCS4E2100

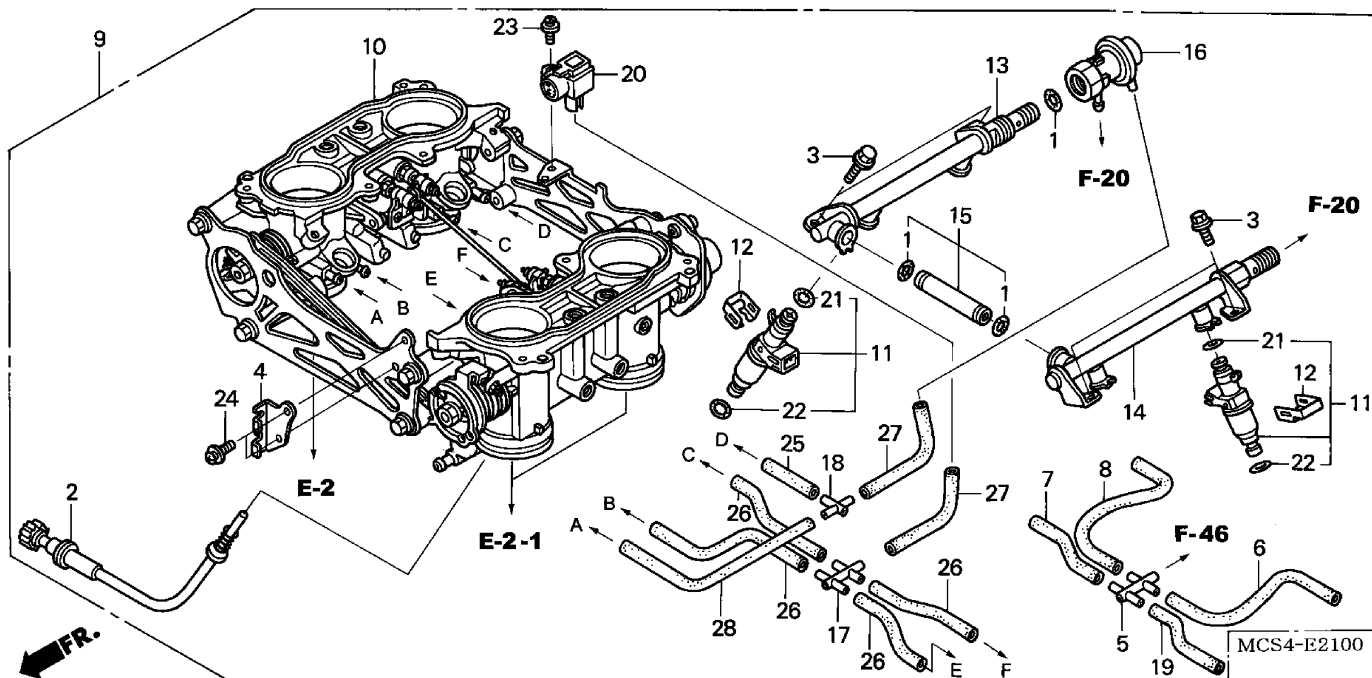
3 =ST1300'03
 3A=ST1300A'03
 4 =ST1300'04
 4A=ST1300A'04

E-21

 Engine
 Serial Number

Ref	Description	Model	From	To	AREA	QTY	Part Number	H/C
1	GASKET SET	3 3A	-----	-----	AC	1	16010-MCS-003	7123516
		4 4A	-----	-----	A	1	16010-MCS-003	7123516
2	SCREW SET, STOP.....	3 3A	-----	-----	AC	1	16029-MCS-003	7123599
		4 4A	-----	-----	A	1	16029-MCS-003	7123599
3	BOLT, FLANGE (6X12)	3 3A	-----	-----	AC	4	16080-MCJ-003	6393656
		4 4A	-----	-----	A	4	16080-MCJ-003	6393656
4	STAY, WIRE.....	3 3A	-----	-----	AC	1	16169-MCW-003	6979868
		4 4A	-----	-----	A	1	16169-MCW-003	6979868
5	JOINT (T)	3 3A	-----	-----	AC	1	16180-ME5-761	1669258
		4 4A	-----	-----	A	1	16180-ME5-761	1669258
6	TUBE	3 3A	-----	-----	AC	1	16197-MBW-L11	6647531
		4 4A	-----	-----	A	1	16197-MBW-L11	6647531
7	TUBE	3 3A	-----	-----	AC	1	16198-MCW-L01	7002223
		4 4A	-----	-----	A	1	16198-MCW-L01	7002223
8	TUBE	3 3A	-----	-----	AC	1	16199-MCW-L01	7007990
		4 4A	-----	-----	A	1	16199-MCW-L01	7007990
9	BODY ASSY., THROTTLE (GQ35B A)	3 3A	-----	-----	AC	1	16400-MCS-771	7123672
		4 4A	-----	-----	A	1	16400-MCS-771	7123672
10	BODY ASSY., THROTTLE.....	3 3A	-----	-----	AC	1	16401-MCS-771	7123680
		4 4A	-----	-----	A	1	16401-MCS-771	7123680
11	INJECTOR ASSY., FUEL.....	3 3A	-----	-----	AC	4	16450-MCS-003	7123698

THROTTLE BODY (ASSY.)



MCS4E2100

3 =ST1300'03
 3A=ST1300A'03
 4 =ST1300'04
 4A=ST1300A'04

E-21

 Engine
 Serial Number

Ref	Description	Model	From	To	AREA	QTY	Part Number	H/C
11	INJECTOR ASSY., FUEL	4 4A	-----	-----	A	4	16450-MCS-003	7123698
12	CLIP, INJECTOR	3 3A	-----	-----	AC	4	16451-PLC-000	6450951
		4 4A	-----	-----	A	4	16451-PLC-000	6450951
13	PIPE, R. FUEL	3 3A	-----	-----	AC	1	16610-MCS-003	7123706
		4 4A	-----	-----	A	1	16610-MCS-003	7123706
14	PIPE, L. FUEL	3 3A	-----	-----	AC	1	16620-MCS-003	7123714
		4 4A	-----	-----	A	1	16620-MCS-003	7123714
15	PIPE SET, FUEL	3 3A	-----	-----	AC	1	16630-MCS-003	7123722
		4 4A	-----	-----	A	1	16630-MCS-003	7123722
16	REGULATOR ASSY., PRESSURE	3 3A	-----	-----	AC	1	16740-MCF-013	7424682
		4 4A	-----	-----	A	1	16740-MCF-013	7424682
17	JOINT (5WAY)	3 3A	-----	-----	AC	1	17201-MCJ-003	6393813
		4 4A	-----	-----	A	1	17201-MCJ-003	6393813
18	JOINT, VACUUM TUBE (A)	3 3A	-----	-----	AC	1	17201-MG9-000	1523992
		4 4A	-----	-----	A	1	17201-MG9-000	1523992
19	TUBE	3 3A	-----	-----	AC	1	19199-MCW-L01	6980551
		4 4A	-----	-----	A	1	19199-MCW-L01	6980551
20	SENSOR, MAP	3 3A	-----	-----	AC	1	37830-MCF-003	6395339
		4 4A	-----	-----	A	1	37830-MCF-003	6395339
21	O-RING (7.47X3.6)	3 3A	-----	-----	AC	4	91301-PLC-000	6579874
		4 4A	-----	-----	A	4	91301-PLC-000	6579874

THROTTLE BODY (ASSY.)

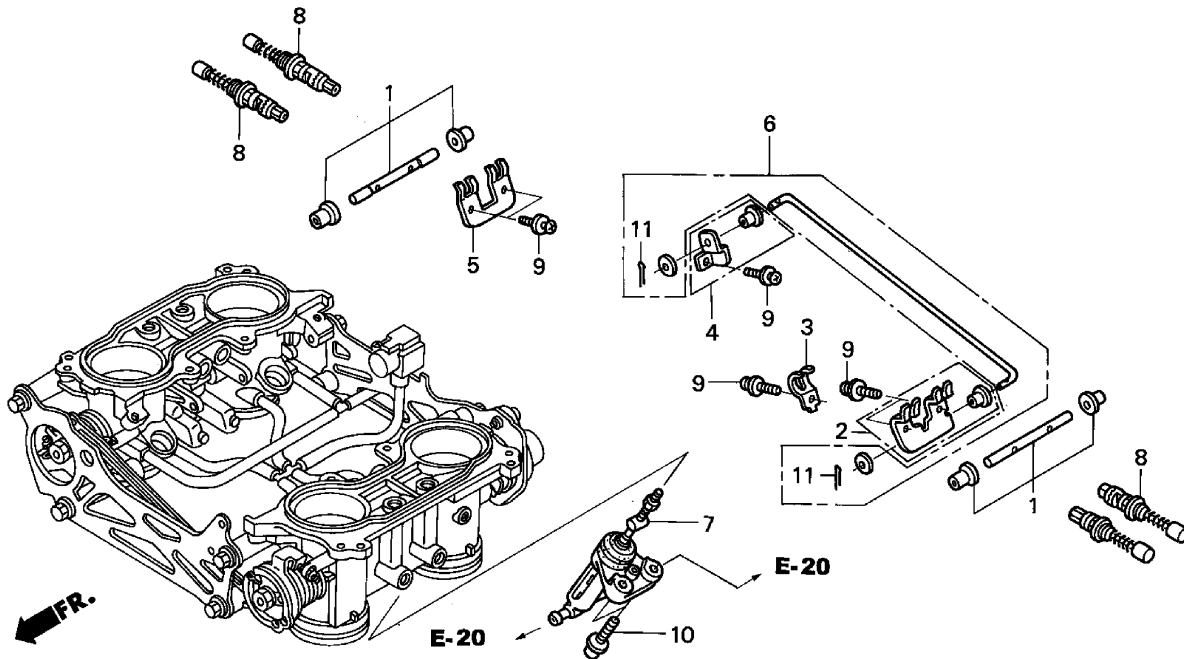
3 =ST1300'03
 3A=ST1300A'03
 4 =ST1300'04
 4A=ST1300A'04

E-21

 Engine
 Serial Number

Ref	Description	Model	From	To	AREA	QTY	Part Number	H/C
22	O-RING (7.45X3.61)	3 3A	-----	-----	AC	4	91302-PNA-003	6753552
		4 4A	-----	-----	A	4	91302-PNA-003	6753552
23	SCREW-WASHER (4X12)	3 3A	-----	-----	AC	1	93892-04012-00	0485946
		4 4A	-----	-----	A	1	93892-04012-00	0485946
	SCREW-WASHER (4X12)	3 3A	-----	-----	AC	1	93892-04012-10	1376003
		4 4A	-----	-----	A	1	93892-04012-10	1376003
24	SCREW-WASHER (5X10)	3 3A	-----	-----	AC	2	93892-05010-00	0672618
		4 4A	-----	-----	A	2	93892-05010-00	0672618
	SCREW-WASHER (5X10)	3 3A	-----	-----	AC	2	93892-05010-10	1171875
		4 4A	-----	-----	A	2	93892-05010-10	1171875
25	BULK HOSE, VACUUM (3.5X1000) (3.5X40)	3 3A	-----	-----	AC	1	95005-35001-20M	5137153
		4 4A	-----	-----	A	1	95005-35001-20M	5137153
26	BULK HOSE, VACUUM (3.5X1000) (3.5X90)	3 3A	-----	-----	AC	4	95005-35001-20M	5137153
		4 4A	-----	-----	A	4	95005-35001-20M	5137153
27	BULK HOSE, VACUUM (3.5X1000) (3.5X110)	3 3A	-----	-----	AC	2	95005-35001-20M	5137153
		4 4A	-----	-----	A	2	95005-35001-20M	5137153
28	BULK HOSE, VACUUM (3.5X1000) (3.5X150)	3 3A	-----	-----	AC	1	95005-35001-20M	5137153
		4 4A	-----	-----	A	1	95005-35001-20M	5137153

THROTTLE BODY (COMP.)



MCS3-E2101

MCS3E2101

3 =ST1300'03
 3A=ST1300A'03
 4 =ST1300'04
 4A=ST1300A'04

E-21-1

Engine
 Serial Number

Ref	Description	Model	From	To	AREA	QTY	Part Number	H/C
1	SHAFT SET, STARTER.....	3 3A	-----	-----	AC	2	16017-MCW-003	6979777
		4 4A	-----	-----	A	2	16017-MCW-003	6979777
2	LEVER A, STARTER	3 3A	-----	-----	AC	1	16018-MCW-003	6979785
		4 4A	-----	-----	A	1	16018-MCW-003	6979785
3	LEVER SET B, STARTER	3 3A	-----	-----	AC	1	16019-MCJ-003	6393607
		4 4A	-----	-----	A	1	16019-MCJ-003	6393607
4	LEVER B, STARTER	3 3A	-----	-----	AC	1	16019-MCW-003	6979793
		4 4A	-----	-----	A	1	16019-MCW-003	6979793
5	LEVER C, STARTER	3 3A	-----	-----	AC	1	16020-MCW-003	6979801
		4 4A	-----	-----	A	1	16020-MCW-003	6979801
6	ROD SET, STARTER.....	3 3A	-----	-----	AC	1	16025-MCS-003	7123573
		4 4A	-----	-----	A	1	16025-MCS-003	7123573
7	WAX ASSY.	3 3A	-----	-----	AC	1	16044-MCW-003	6979835
		4 4A	-----	-----	A	1	16044-MCW-003	6979835
8	VALVE SET A, STARTER	3 3A	-----	-----	AC	3	16046-MCW-003	6979843
		4 4A	-----	-----	A	3	16046-MCW-003	6979843
9	SCREW-WASHER (3X8)	3 3A	-----	-----	AC	6	93892-03008-10	6398101
		4 4A	-----	-----	A	6	93892-03008-10	6398101
10	SCREW-WASHER (6X20)	3 3A	-----	-----	AC	2	93892-06020-00	0723817
		4 4A	-----	-----	A	2	93892-06020-00	0723817
	SCREW-WASHER (6X20)	3 3A	-----	-----	AC	2	93892-06020-10	0856419

THROTTLE BODY (COMP.)

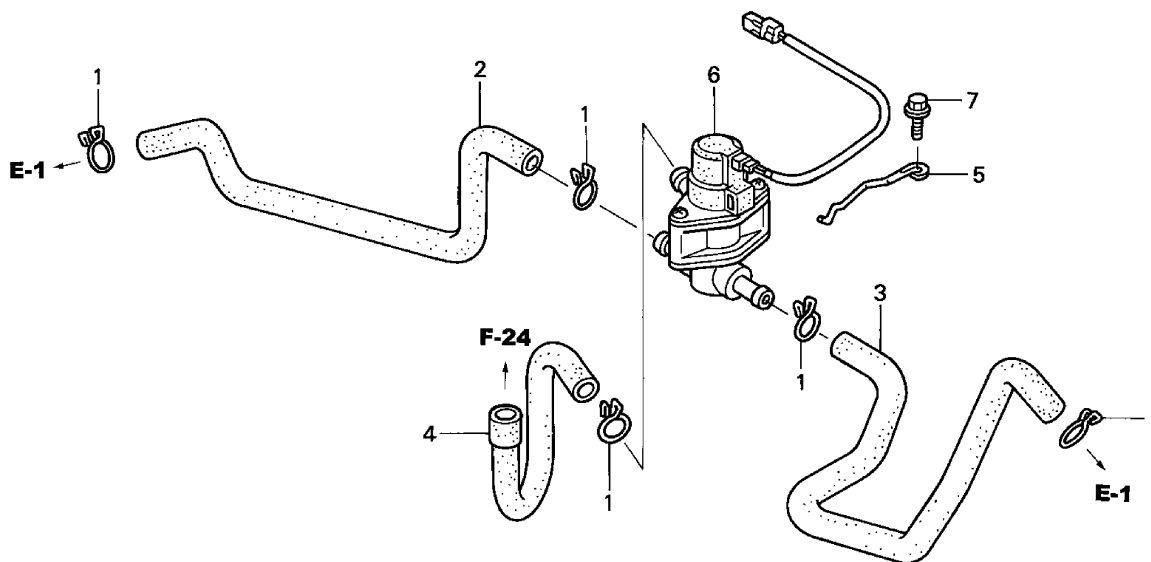
3 =ST1300'03
 3A=ST1300A'03
 4 =ST1300'04
 4A=ST1300A'04

E-21-1

Engine
Serial Number

Ref	Description	Model	From	To	AREA	QTY	Part Number	H/C
10	SCREW-WASHER (6X20)	4 4A	-----	-----	A	2	93892-06020-10	0856419
11	PIN, SPLIT (1.2)	3 3A	-----	-----	AC	2	94201-12081	6983084
		4 4A	-----	-----	A	2	94201-12081	6983084

AIR INJECTION CONT. VALVE



MCS3-E2200

MCS3E2200

3 =ST1300'03
3A=ST1300A'03
4 =ST1300'04
4A=ST1300A'04

E-22

Engine
Serial Number

Ref	Description	Model	From	To	AREA	QTY	Part Number	H/C
1	CLIP, SUB-TANK HOSE	3 3A	-----	-----	AC	5	17724-102-700	0290213
		4 4A	-----	-----	A	5	17724-102-700	0290213
2	TUBE A, AIR INJECTION CONTROL VALVE	3 3A	-----	-----	AC	1	18651-MCS-G00	7124159
		4 4A	-----	-----	A	1	18651-MCS-G00	7124159
3	TUBE B, AIR INJECTION CONTROL VALVE	3 3A	-----	-----	AC	1	18652-MCS-G00	7124167
		4 4A	-----	-----	A	1	18652-MCS-G00	7124167
4	TUBE C, AIR INJECTION CONTROL VALVE	3 3A	-----	-----	AC	1	18653-MCS-G00	7124175
		4 4A	-----	-----	A	1	18653-MCS-G00	7124175
5	STAY, AIR INJECTION CONTROL VALVE	3 3A	-----	-----	AC	1	18654-MCS-G01	7124183
		4 4A	-----	-----	A	1	18654-MCS-G01	7124183
6	VALVE ASSY., EX. AIR INJECTION	3 3A	-----	-----	AC	1	36450-MCS-000	7125503
		4 4A	-----	-----	A	1	36450-MCS-000	7125503
7	BOLT, FLANGE (6X20)	3 3A	-----	-----	AC	1	95701-06020-08	2374759
		4 4A	-----	-----	A	1	95701-06020-08	2374759

GASKET KIT A

3 =ST1300'03
 3A=ST1300A'03
 4 =ST1300'04
 4A=ST1300A'04

EOP-1

 Engine
 Serial Number

Ref	Description	Model	From	To	AREA	QTY	Part Number	H/C
1	GASKET SHEET KIT A (COMPONENT PARTS).....	3 3A	-----	-----	AC	1	06113-MCS-000	7586548
	GASKET, R. CYLINDER HEAD	3 3A	-----	-----	AC	1	12251-MCS-003	7122757
	GASKET, L. CYLINDER HEAD	3 3A	-----	-----	AC	1	12252-MCS-003	7122765
	GASKET, HEAD COVER	3 3A	-----	-----	AC	2	12391-MCS-000	7122831
	GASKET, PLUG HOLE.....	3 3A	-----	-----	AC	4	12395-MCS-000	7122849
	GASKET, EX. PIPE	3 3A	-----	-----	AC	4	18291-MN4-920	2916997
	GASKET, MUFFLER	3 3A	-----	-----	AC	2	18391-ML0-003	2540896
	GASKET, MUFFLER	3 3A	-----	-----	AC	1	18392-MK4-000	2575074
2	WASHER O-RING KIT A	3 3A	-----	-----	AC	1	06114-MCS-000	7586555
	GROMMET B, RR. COVER	3 3A	-----	-----	AC	2	11345-MB0-000	1240852
	WASHER, SEALING (6.5MM)	3 3A	-----	-----	AC	8	90463-ML7-000	2408680
	RUBBER, SETTING	3 3A	-----	-----	AC	6	90543-MV9-670	3699139
	O-RING (21.5MM)	3 3A	-----	-----	AC	1	91301-250-000	0035287
	O-RING (22X3.0)	3 3A	-----	-----	AC	1	91307-425-003	1216126
	O-RING (16X2.1)	3 3A	-----	-----	AC	1	91309-PX4-003	3301793
	O-RING (21.2X2.4) (ARAI).....	3 3A	-----	-----	AC	2	91331-PC9-003	1352517
	O-RING (43.5X2) (NOK).....	3 3A	-----	-----	AC	1	91361-SF4-951	3676939

GASKET KIT B

3 =ST1300'03
 3A=ST1300A'03
 4 =ST1300'04
 4A=ST1300A'04

EOP-2

Engine
Serial Number

Ref	Description	Model	From	To	AREA	QTY	Part Number	H/C
1	GASKET SHEET KIT B	3 3A	-----	-----	AC	1	06115-MCS-000	7588965
	GASKET, FR. CRANKCASE COVER	3 3A	-----	-----	AC	1	11394-MCS-000	7122708
	GASKET, TENSIONER LIFTER.....	3 3A	-----	-----	AC	2	14560-MCS-003	7123383
	GASKET, WATER PUMP.....	3 3A	-----	-----	AC	1	19226-MCS-000	7124290
	GASKET, SLAVE CYLINDER	3 3A	-----	-----	AC	1	22862-MW7-650	3939824
2	WASHER O-RING KIT B	3 3A	-----	-----	AC	1	06116-MCS-000	7588973
	GASKET, OIL STRAINER	3 3A	-----	-----	AC	1	15154-MM5-000	2547255
	SEAL, RING	3 3A	-----	-----	AC	1	15433-KGB-610	6843247
	WASHER, SEALING (6MM).....	3 3A	-----	-----	AC	2	90442-397-000	0687616
	WASHER, NEUTRAL	3 3A	-----	-----	AC	1	90443-MJ6-000	2544856
	WASHER, SEALING (8.5MM)	3 3A	-----	-----	AC	2	90463-MCS-000	7128929
	WASHER, SEALING (6.5MM)	3 3A	-----	-----	AC	2	90463-ML7-000	2408680
	WASHER, SEALING	3 3A	-----	-----	AC	4	90488-425-000	0742833
	O-RING (19.9X3.1).....	3 3A	-----	-----	AC	2	91301-MCF-000	6431662
	O-RING (45X2.5) (ARAI)	3 3A	-----	-----	AC	1	91301-679-003	2007177
	O-RING (18X3) (ARAI).....	3 3A	-----	-----	AC	1	91302-KE8-003	2890754
	O-RING (18.1X3.6).....	3 3A	-----	-----	AC	1	91302-MAL-601	4639985
	O-RING (15X2.5)	3 3A	-----	-----	AC	2	91302-377-000	0386995
	O-RING (95.5X2.4).....	3 3A	-----	-----	AC	1	91303-MCS-003	7129059
	O-RING (13.8X2.5).....	3 3A	-----	-----	AC	1	91303-377-000	0499525
	O-RING (23X2.4)	3 3A	-----	-----	AC	1	91304-GC8-003	1452002
	O-RING.....	3 3A	-----	-----	AC	1	91304-MAJ-G41	5036959
	O-RING (9.8X2.4).....	3 3A	-----	-----	AC	2	91305-422-000	0688986
	O-RING (16X2.1)	3 3A	-----	-----	AC	1	91309-PX4-003	3301793
	O-RING (24.4X3.1) (ARAI).....	3 3A	-----	-----	AC	1	91309-425-003	1113422
	O-RING (24.4X3.1).....	3 3A	-----	-----	AC	1	91312-MG7-003	2618221
	O-RING (14.7X2.2) (ARAI).....	3 3A	-----	-----	AC	1	91313-MB0-003	1260868
	O-RING (14.8X2.2).....	3 3A	-----	-----	AC	1	91313-MG7-004	3353620
	OIL SEAL, PATH PIPE (20.3MM).....	3 3A	-----	-----	AC	4	91315-MCS-003	7129067
	O-RING (66X2.5)	3 3A	-----	-----	AC	1	91351-881-000	0499533
	O-RING (30MM)	3 3A	-----	-----	AC	1	91356-425-003	1718485
	O-RING (29.7X2.4) (NOK)	3 3A	-----	-----	AC	1	91356-425-005	1702943
	WASHER, DRAIN PLUG (14MM).....	3 3A	-----	-----	AC	1	94109-14000	0171876

FRAME SECTION

Chapter Table of Contents

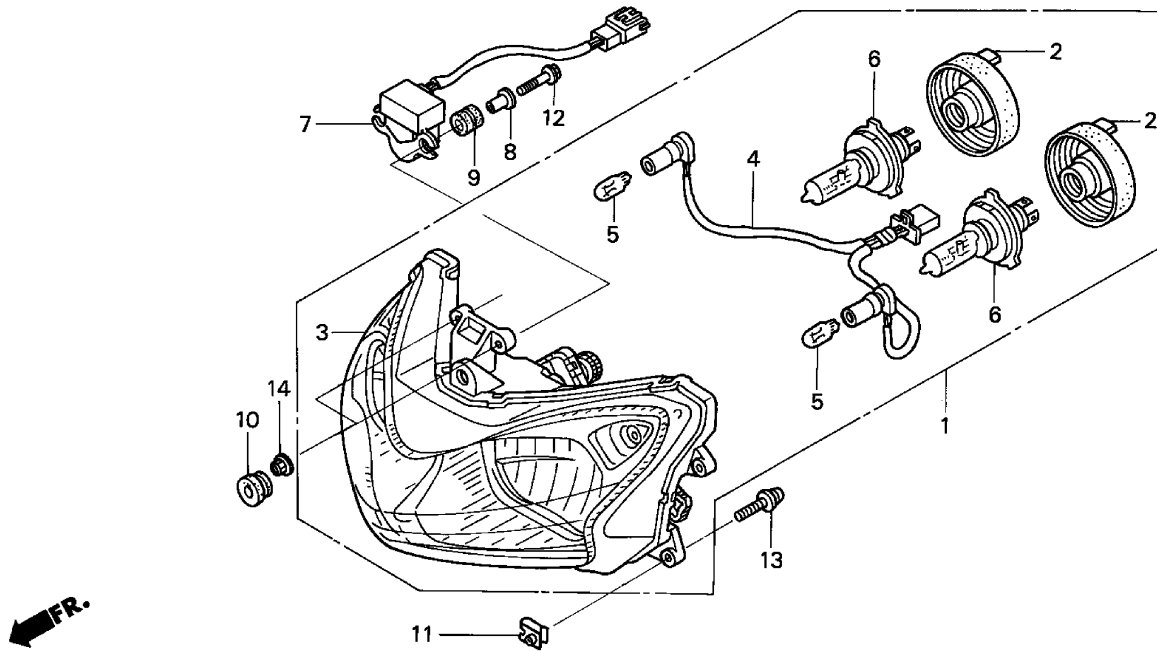
Page Title	Grid	Page
HEADLIGHT	1-E1	2-4
SPEEDOMETER.....	1-E2	2-6
SWITCH • CABLE.....	1-E3	2-8
FR. BRAKE MASTER CYLINDER (ST1300)	1-E4	2-10
FR. BRAKE MASTER CYLINDER (ST1300A)	1-E5	2-12
FRONT BRAKE HOSE (ST1300)	1-E6	2-14
FRONT BRAKE HOSE (ST1300A)	1-E7	2-16
CLUTCH MASTER CYLINDER.....	1-E9	2-20
HANDLEBAR • TOP BRIDGE.....	1-E11	2-24
STEERING STEM.....	1-E13	2-28
FRONT FENDER	1-E13	2-29
FRONT FORK.....	1-E14	2-30
R. FRONT BRAKE CALIPER	1-E15	2-33
L. FRONT BRAKE CALIPER.....	1-F1	2-36
FRONT WHEEL	1-F2	2-38
RR. BRAKE MASTER CYLINDER (ST1300)	1-F3	2-40
RR. BRAKE MASTER CYLINDER (ST1300A)	1-F4	2-43
PROPORTIONING CONTROL VALVE (ST1300).....	1-F6	2-46
PROPORTIONING CONTROL VALVE (ST1300A)	1-F7	2-48
REAR BRAKE HOSE (ST1300)	1-F8	2-50
REAR BRAKE HOSE (ST1300A)	1-F9	2-52
REAR BRAKE CALIPER.....	1-F10	2-54
REAR WHEEL.....	1-F11	2-56
FINAL DRIVEN GEAR (ST1300).....	1-F12	2-59
FINAL DRIVEN GEAR (ST1300A)	1-F15	2-64
FUEL TANK.....	1-G2	2-70
FUEL PUMP	1-G4	2-74
SEAT	1-G5	2-76
GRAB RAIL.....	1-G6	2-78
SIDE COVER • REAR COWL.....	1-G8	2-82
AIR CLEANER.....	1-G9	2-84
MUFFLER	1-G10	2-86
PEDAL.....	1-G11	2-88
STEP	1-G12	2-90
STAND	1-G13	2-93
SWINGARM	1-G14	2-95
REAR CUSHION.....	1-G15	2-97
REAR FENDER.....	1-G16	2-98
TURN SIGNAL	1-H1	2-100
REAR COMBINATION LIGHT.....	1-H1	2-101
BATTERY	1-H2	2-102
WIRE HARNESS (ST1300).....	1-H3	2-104
WIRE HARNESS (ST1300A)	1-H4	2-106
IGNITION COIL.....	1-H5	2-108
FRAME	1-H6	2-110
TOOLS	1-H8	2-114
RADIATOR	1-H9	2-116
WIND SCREEN.....	1-H10	2-118
UPPER COWL	1-H11	2-121
COWL POCKET	1-H13	2-124
LOWER COWL	1-H14	2-126
COWL STAY	1-H15	2-129
SADDLE BAG	1-H16	2-131
EVAP CANISTER	1-I2	2-135
CAUTION LABELS	1-I3	2-137

Chapter Table of Contents - *Continued*

Page Title	Grid	Page
MARKS	1-14	2-139

This page intentionally left blank.

HEADLIGHT



MCS3-F0100

MCS3F0100

3 =ST1300'03
 3A=ST1300A'03
 4 =ST1300'04
 4A=ST1300A'04

F-1

 Frame
 Serial Number

Ref	Description	Model	From	To	AREA	QTY	Part Number	H/C
1	HEADLIGHT ASSY.	3 3A	-----	-----	AC	1	33100-MCS-L01	7125339
		4 4A	-----	-----	A	1	33100-MCS-L01	7125339
2	COVER, RUBBER	3 3A	-----	-----	AC	2	33112-MBW-D21	6648679
	COVER, RUBBER	4 4A	-----	-----	A	2	33112-KPB-003	6654008
3	HEADLIGHT UNIT	3 3A	-----	-----	AC	1	33120-MCS-L01	7125347
		4 4A	-----	-----	A	1	33120-MCS-L01	7125347
4	SOCKET, POSITION LIGHT	3 3A	-----	-----	AC	1	33140-MCJ-D00	7125354
		4 4A	-----	-----	A	1	33140-MCJ-D00	7125354
5	BULB (12V5W) (ECE) (STANLEY).....	3 3A	-----	-----	AC	2	33301-SAO-741	3230877
		4 4A	-----	-----	A	2	33301-SAO-741	3230877
6	BULB, HEADLIGHT (12V45/45W)	3 3A	-----	-----	AC	2	34901-MS2-671	3387719
	BULB, HEADLIGHT (12V45/45W) (STANLEY).....	3 3A	-----	-----	AC	2	34901-MS2-672	7221609
		4 4A	-----	-----	A	2	34901-MS2-672	7221609
7	SENSOR, BANK ANGLE	3 3A	-----	-----	AC	1	35161-MCS-G01	7125487
		4 4A	-----	-----	A	1	35161-MCS-G01	7125487
8	COLLAR	3 3A	-----	-----	AC	2	35162-MN5-003	2820736
		4 4A	-----	-----	A	2	35162-MN5-003	2820736
9	GROMMET	3 3A	-----	-----	AC	2	35163-MN5-003	2820744
		4 4A	-----	-----	A	2	35163-MN5-003	2820744
10	GROMMET, SIDE COVER.....	3 3A	-----	-----	AC	1	83601-MN5-000	2810133

HEADLIGHT

3 =ST1300'03
 3A=ST1300A'03
 4 =ST1300'04
 4A=ST1300A'04

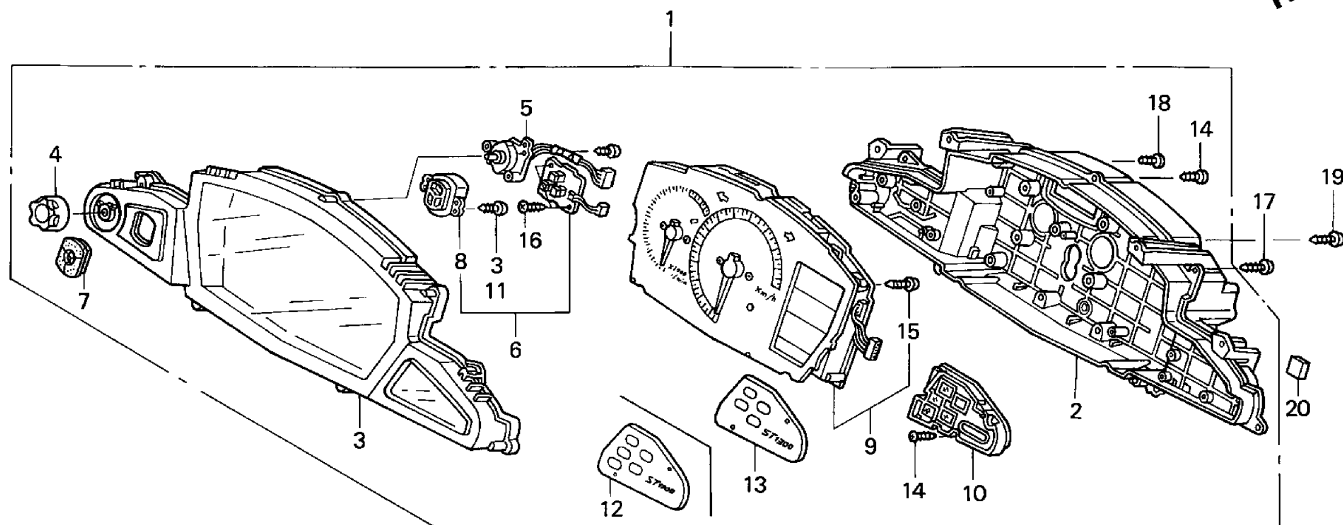
F-1

 Frame
 Serial Number

Ref	Description	Model	From	To	AREA	QTY	Part Number	H/C
10	GROMMET, SIDE COVER.....	4 4A	-----	-----	A	1	83601-MN5-000	2810133
11	NUT, FLOATING (5MM).....	3 3A	-----	-----	AC	4	90306-SAO-000	2544815
		4 4A	-----	-----	A	4	90306-SAO-000	2544815
12	SCREW-WASHER (4X30) (N/A: USE ALTERNATE P/N 93891-04030-08)	3 3A	-----	-----	AC	2	93893-04030-07	5027800
		4 4A	-----	-----	A	2	93893-04030-07	5027800
13	SCREW-WASHER (5X22)	3 3A	-----	-----	AC	4	93894-05022-07	2723955
		4 4A	-----	-----	A	4	93894-05022-07	2723955
14	NUT, FLANGE (4MM).....	3 3A	-----	-----	AC	2	94050-04000	0711549
		4 4A	-----	-----	A	2	94050-04000	0711549

SPEEDOMETER

FR.



MCS4-F0200A

MCS4F0200A

3 =ST1300'03
3A=ST1300A'03
4 =ST1300'04
4A=ST1300A'04

F-2

Frame
Serial Number

Ref	Description	Model	From	To	AREA	QTY	Part Number	H/C
1	METER ASSY., COMBINATION	3	-----	-----	AC	1	37100-MCS-771	7125552
		4	-----	-----	A	1	37100-MCS-771	7125552
	METER ASSY., COMBINATION	3A	-----	-----	AC	1	37100-MCS-L01	7125545
		4A	-----	-----	A	1	37100-MCS-L01	7125545
2	CASE ASSY. (LOWER)	3 3A	-----	-----	AC	1	37101-MCS-G01	7125560
		4 4A	-----	-----	A	1	37101-MCS-G01	7125560
3	CASE ASSY. (UPPER).....	3 3A	-----	-----	AC	1	37102-MCS-G01	7125578
		4 4A	-----	-----	A	1	37102-MCS-G01	7125578
4	KNOB ASSY.	3 3A	-----	-----	AC	1	37103-MCS-G01	7125586
		4 4A	-----	-----	A	1	37103-MCS-G01	7125586
5	SWITCH ASSY., AIMING	3 3A	-----	-----	AC	1	37104-MCS-G01	7125594
		4 4A	-----	-----	A	1	37104-MCS-G01	7125594
6	SWITCH ASSY., THREE-WAY	3 3A	-----	-----	AC	1	37105-MCS-G01	7125602
		4 4A	-----	-----	A	1	37105-MCS-G01	7125602
7	RUBBER, SWITCH.....	3 3A	-----	-----	AC	1	37107-MCS-G01	7125610
		4 4A	-----	-----	A	1	37107-MCS-G01	7125610
8	PLATE (3SW)	3 3A	-----	-----	AC	1	37108-MCS-G01	7125628
		4 4A	-----	-----	A	1	37108-MCS-G01	7125628
9	METER, COMBINATION	3 3A	-----	-----	AC	1	37110-MCS-L01	7125636
		4 4A	-----	-----	A	1	37110-MCS-L01	7125636
10	INDICATOR ASSY.	3	-----	-----	AC	1	37120-MCS-641	7125651

SPEEDOMETER

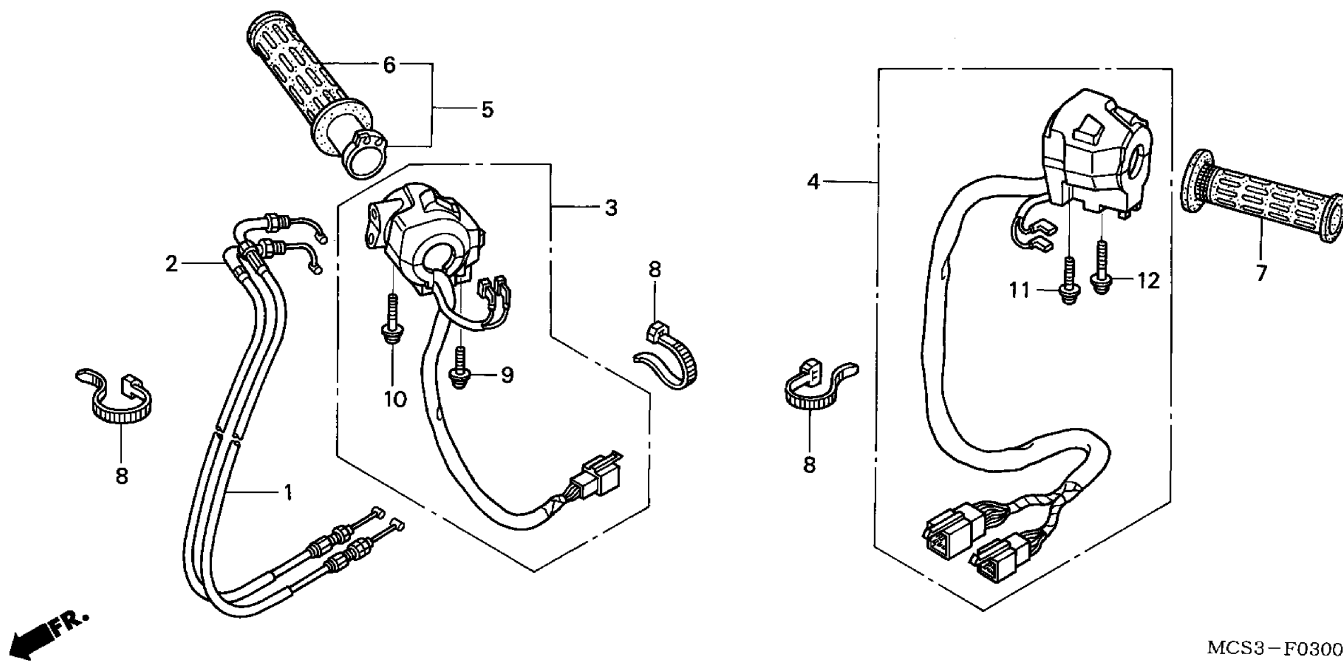
3 =ST1300'03
 3A=ST1300A'03
 4 =ST1300'04
 4A=ST1300A'04

F-2

Frame
Serial Number

Ref	Description	Model	From	To	AREA	QTY	Part Number	H/C
10	INDICATOR ASSY.	4	-----	-----	A	1	37120-MCS-641	7125651
	INDICATOR ASSY.	3A	-----	-----	AC	1	37120-MCS-G01	7125644
		4A	-----	-----	A	1	37120-MCS-G01	7125644
11	SCREW, TAPPING (3X14).....	3 3A	-----	-----	AC	2	37214-KV7-671	6628754
		4 4A	-----	-----	A	2	37214-KV7-671	6628754
12	LENS, SHEET	3A	-----	-----	AC	1	37601-MCS-L01	7125677
		4A	-----	-----	A	1	37601-MCS-L01	7125677
13	LENS, SHEET (A,CM,U WITHOUT ABS) ..	3	-----	-----	AC	1	37601-MCS-771	7125685
		4	-----	-----	A	1	37601-MCS-771	7125685
14	SCREW, TAPPING (3X14).....	3 3A	-----	-----	AC	18	90101-MCV-000	6882450
		4 4A	-----	-----	A	18	90101-MCV-000	6882450
15	SCREW, TAPPING (3X10).....	3 3A	-----	-----	AC	2	93901-22220	1256791
		4 4A	-----	-----	A	2	93901-22220	1256791
16	SCREW, TAPPING (3X12).....	3 3A	-----	-----	AC	2	93901-22320	1478098
		4 4A	-----	-----	A	2	93901-22320	1478098
17	SCREW, TAPPING (4X16).....	3 3A	-----	-----	AC	2	93903-24410	2235000
		4 4A	-----	-----	A	2	93903-24410	2235000
18	SCREW, TAPPING (4X16).....	3 3A	-----	-----	AC	9	93903-24420	0995944
		4 4A	-----	-----	A	9	93903-24420	0995944
19	SCREW, TAPPING (5X16).....	3 3A	-----	-----	AC	4	93903-25310	0940692
	SCREW, TAPPING (5X12).....	4 4A	-----	-----	A	4	93903-25210	0562108
20	RUBBER A, SIDE COVER.....	3 3A	-----	-----	AC	2	83605-MY5-G30	6146260
		4 4A	-----	-----	A	2	83605-MY5-G30	6146260

SWITCH • CABLE



MCS3-F0300

MCS3F0300

3 =ST1300'03
 3A=ST1300A'03
 4 =ST1300'04
 4A=ST1300A'04

F-3

Frame
Serial Number

Ref	Description	Model	From	To	AREA	QTY	Part Number	H/C
1	CABLE A, THROTTLE	3 3A	-----	-----	AC	1	17910-MCS-G00	7124076
		4 4A	-----	-----	A	1	17910-MCS-G00	7124076
2	CABLE B, THROTTLE	3 3A	-----	-----	AC	1	17920-MCS-G00	7124084
		4 4A	-----	-----	A	1	17920-MCS-G00	7124084
3	SWITCH SET, STARTER KILL	3 3A	-----	-----	AC	1	35013-MCS-L00	7125412
		4 4A	-----	-----	A	1	35013-MCS-L00	7125412
4	SWITCH SET, TURN SIGNAL	3	-----	-----	AC	1	35020-MCS-770	7125438
		4 4A	-----	-----	A	1	35020-MCS-L00	7125420
		3A	-----	-----	AC	1	35020-MCS-L00	7125420
5	GRIP ASSY., THROTTLE	3 3A	-----	-----	AC	1	53140-MT3-000	4199212
		4 4A	-----	-----	A	1	53140-MT3-000	4199212
6	GRIP, R. HANDLE	3 3A	-----	-----	AC	1	53165-422-000	0692566
		4 4A	-----	-----	A	1	53165-422-000	0692566
7	GRIP, L. HANDLE	3 3A	-----	-----	AC	1	53166-422-000	0692574
		4 4A	-----	-----	A	1	53166-422-000	0692574
8	BAND, WIRE	3 3A	-----	-----	AC	3	90650-KV6-003	2687788
		4 4A	-----	-----	A	3	90650-KV6-003	2687788
9	SCREW-WASHER (5X20)	3 3A	-----	-----	AC	1	93892-05020-07	1078351
		4 4A	-----	-----	A	1	93892-05020-07	1078351
10	SCREW-WASHER (5X25)	3 3A	-----	-----	AC	1	93892-05025-07	1113539
		4 4A	-----	-----	A	1	93892-05025-07	1113539

SWITCH • CABLE

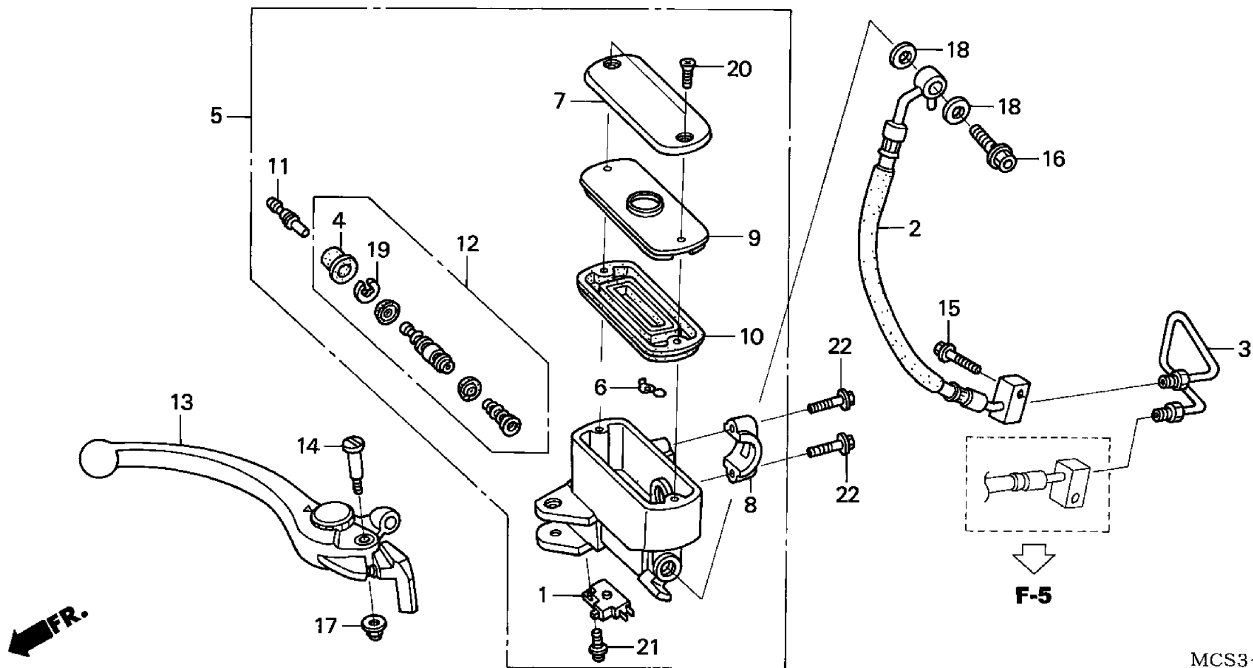
3 =ST1300'03
 3A=ST1300A'03
 4 =ST1300'04
 4A=ST1300A'04

F-3

Frame
Serial Number

Ref	Description	Model	From	To	AREA	QTY	Part Number	H/C
11	SCREW-WASHER (5X35)	3	-----	-----	AC	1	93892-05035-07	0692681
	SCREW-WASHER (5X20)	4 4A	-----	-----	A	1	93892-05020-07	1078351
		3A	-----	-----	AC	1	93892-05020-07	1078351
12	SCREW-WASHER (5X45)	3	-----	-----	AC	1	93892-05045-07	0692699
	SCREW-WASHER (5X40)	4 4A	-----	-----	A	1	93892-05040-07	1078369
		3A	-----	-----	AC	1	93892-05040-07	1078369

FR. BRAKE MASTER CYLINDER (ST1300)



MCS3-F0400

MCS3F0400

3 =ST1300'03
 3A=ST1300A'03
 4 =ST1300'04
 4A=ST1300A'04

F-4

Frame
 Serial Number

Ref	Description	Model	From	To	AREA	QTY	Part Number	H/C
1	SWITCH ASSY., FR. STOP	3	-----	-----	AC	1	35340-MM5-600	2542421
		4	-----	-----	A	1	35340-MM5-600	2542421
2	HOSE A, FR. BRAKE	3	-----	-----	AC	1	45125-MCS-G02	7126485
		4	-----	-----	A	1	45125-MCS-G02	7126485
3	PIPE A, FR. BRAKE	3	-----	-----	AC	1	45126-MCS-610	7126501
		4	-----	-----	A	1	45126-MCS-610	7126501
4	BOOT	3	-----	-----	AC	1	45504-410-003	1211820
		4	-----	-----	A	1	45504-410-003	1211820
5	MASTER CYLINDER SUB-ASSY., FR. (NISSIN)	3	-----	-----	AC	1	45510-MAJ-G41	4980165
		4	-----	-----	A	1	45510-MCS-761	7679236
6	PROTECTOR	3	-----	-----	AC	1	45512-MA6-006	1235688
		4	-----	-----	A	1	45512-MA6-006	1235688
7	CAP, MASTER CYLINDER (NISSIN)	3	-----	-----	AC	1	45513-MM5-016	7088354
		4	-----	-----	A	1	45513-MR1-016	7091945
8	HOLDER, MASTER CYLINDER	3	-----	-----	AC	1	45517-166-006	1082338
		4	-----	-----	A	1	45517-MCS-761	7679244
9	PLATE, DIAPHRAGM (NISSIN)	3	-----	-----	AC	1	45518-MM5-006	2550325
		4	-----	-----	A	1	45518-MM5-006	2550325
10	DIAPHRAGM (NISSIN)	3	-----	-----	AC	1	45520-MM5-006	2550333

FR. BRAKE MASTER CYLINDER (ST1300)

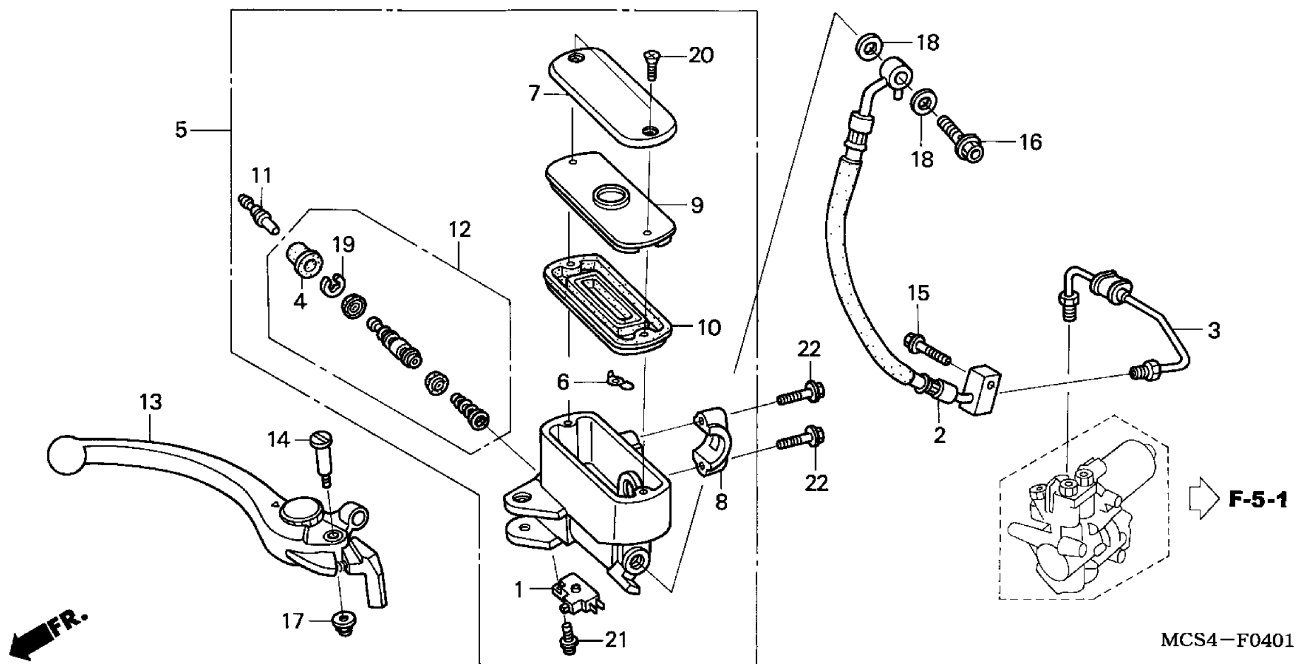
3 =ST1300'03
 3A=ST1300A'03
 4 =ST1300'04
 4A=ST1300A'04

F-4

 Frame
 Serial Number

Ref	Description	Model	From	To	AREA	QTY	Part Number	H/C
10	DIAPHRAGM (NISSIN).....	4	-----	-----	A	1	45520-MM5-006	2550333
11	ROD, PUSH	3	-----	-----	AC	1	45525-MAJ-G41	4980173
		4	-----	-----	A	1	45525-MAJ-G41	4980173
12	PISTON SET, FR. MASTER CYLINDER	3	-----	-----	AC	1	45530-MAJ-G41	4980181
		4	-----	-----	A	1	45530-MAJ-G41	4980181
13	LEVER ASSY., R. HANDLE	3	-----	-----	AC	1	53170-MCS-G01	7127186
		4	-----	-----	A	1	53170-MCS-G01	7127186
14	BOLT, R. HANDLEBAR PIVOT	3	-----	-----	AC	1	90114-MA5-671	0952416
		4	-----	-----	A	1	90114-MA5-671	0952416
15	BOLT, FLANGE (6X28)	3	-----	-----	AC	1	90114-MCS-G00	7128689
		4	-----	-----	A	1	90114-MCS-G00	7128689
16	BOLT, OIL (10X22).....	3	-----	-----	AC	1	90145-MS9-612	5369418
		4	-----	-----	A	1	90145-MS9-612	5369418
17	NUT, CAP (6MM)	3	-----	-----	AC	1	90201-415-000	0670729
		4	-----	-----	A	1	90201-415-000	0670729
18	WASHER, OIL BOLT	3	-----	-----	AC	2	90545-300-000	0189902
		4	-----	-----	A	2	90545-300-000	0189902
19	CIRCLIP	3	-----	-----	AC	1	90651-MA5-671	1251404
		4	-----	-----	A	1	90651-MA5-671	1251404
20	SCREW, FLAT (4X12)	3	-----	-----	AC	2	93600-04012-0G	1218601
	SCREW, FLAT (4X12)	3	-----	-----	AC	2	93600-04012-1G	1237346
	SCREW, FLAT (4X12)	4	-----	-----	A	2	90158-MT7-000	6627319
21	SCREW-WASHER (4X12)	3	-----	-----	AC	1	93893-04012-07	1374008
		4	-----	-----	A	1	93893-04012-07	1374008
	SCREW-WASHER (4X12)	3	-----	-----	AC	1	93893-04012-17	1237353
		4	-----	-----	A	1	93893-04012-17	1237353
22	BOLT, FLANGE (6X22)	3	-----	-----	AC	2	96001-06022-07	2105971
	BOLT, FLANGE (6X22)	4	-----	-----	A	2	90010-GHB-660	7027881

FR. BRAKE MASTER CYLINDER (ST1300A)



MCS4-F0401

MCS4F0401

3 =ST1300'03
3A=ST1300A'03
4 =ST1300'04
4A=ST1300A'04

F-4-1

Frame
Serial Number

Ref	Description	Model	From	To	AREA	QTY	Part Number	H/C
1	SWITCH ASSY., FR. STOP	3A	-----	-----	AC	1	35340-MM5-600	2542421
		4A	-----	-----	A	1	35340-MM5-600	2542421
2	HOSE A, FR. BRAKE	3A	-----	-----	AC	1	45125-MCS-G02	7126485
		4A	-----	-----	A	1	45125-MCS-G02	7126485
3	PIPE A, FR. BRAKE	3A	-----	-----	AC	1	45126-MCS-G02	7126493
		4A	-----	-----	A	1	45126-MCS-G02	7126493
4	BOOT	3A	-----	-----	AC	1	45504-410-003	1211820
		4A	-----	-----	A	1	45504-410-003	1211820
5	MASTER CYLINDER SUB-ASSY., FR. (NISSIN)	3A	-----	-----	AC	1	45510-MAJ-G41	4980165
		4A	-----	-----	A	1	45510-MCS-761	7679236
6	PROTECTOR	3A	-----	-----	AC	1	45512-MA6-006	1235688
		4A	-----	-----	A	1	45512-MA6-006	1235688
7	CAP, MASTER CYLINDER (NISSIN)	3A	-----	-----	AC	1	45513-MM5-016	7088354
		4A	-----	-----	A	1	45513-MR1-016	7091945
8	HOLDER, MASTER CYLINDER	3A	-----	-----	AC	1	45517-166-006	1082338
		4A	-----	-----	A	1	45517-MCS-761	7679244
9	PLATE, DIAPHRAGM (NISSIN)	3A	-----	-----	AC	1	45518-MM5-006	2550325
		4A	-----	-----	A	1	45518-MM5-006	2550325
10	DIAPHRAGM (NISSIN)	3A	-----	-----	AC	1	45520-MM5-006	2550333

FR. BRAKE MASTER CYLINDER (ST1300A)

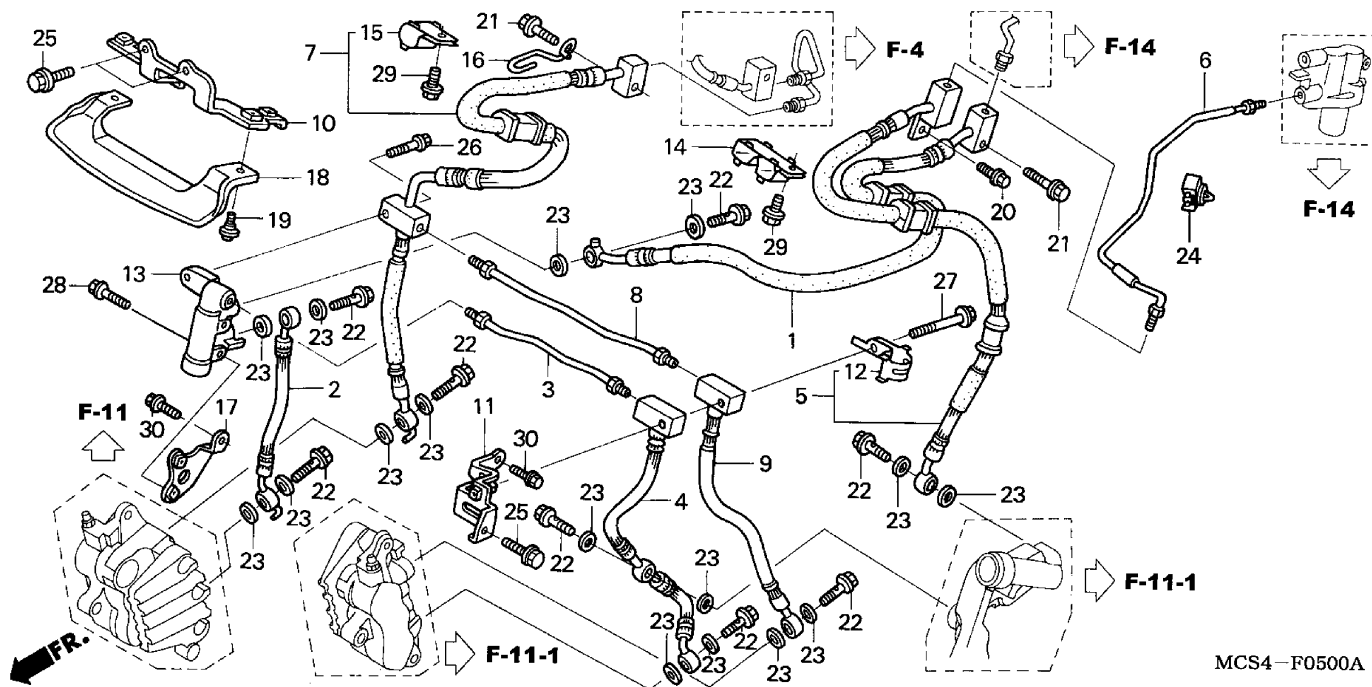
3 =ST1300'03
 3A=ST1300A'03
 4 =ST1300'04
 4A=ST1300A'04

F-4-1

Frame
Serial Number

Ref	Description	Model	From	To	AREA	QTY	Part Number	H/C
10	DIAPHRAGM (NISSIN).....	4A	-----	-----	A	1	45520-MM5-006	2550333
11	ROD, PUSH	3A	-----	-----	AC	1	45525-MAJ-G41	4980173
		4A	-----	-----	A	1	45525-MAJ-G41	4980173
12	PISTON SET, FR. MASTER CYLINDER	3A	-----	-----	AC	1	45530-MAJ-G41	4980181
		4A	-----	-----	A	1	45530-MAJ-G41	4980181
13	LEVER ASSY., R. HANDLE	3A	-----	-----	AC	1	53170-MCS-G01	7127186
		4A	-----	-----	A	1	53170-MCS-G01	7127186
14	BOLT, R. HANDLEBAR PIVOT	3A	-----	-----	AC	1	90114-MA5-671	0952416
		4A	-----	-----	A	1	90114-MA5-671	0952416
15	BOLT, FLANGE (6X28)	3A	-----	-----	AC	1	90114-MCS-G00	7128689
		4A	-----	-----	A	1	90114-MCS-G00	7128689
16	BOLT, OIL (10X22).....	3A	-----	-----	AC	1	90145-MS9-612	5369418
		4A	-----	-----	A	1	90145-MS9-612	5369418
17	NUT, CAP (6MM)	3A	-----	-----	AC	1	90201-415-000	0670729
		4A	-----	-----	A	1	90201-415-000	0670729
18	WASHER, OIL BOLT	3A	-----	-----	AC	2	90545-300-000	0189902
		4A	-----	-----	A	2	90545-300-000	0189902
19	CIRCLIP	3A	-----	-----	AC	1	90651-MA5-671	1251404
		4A	-----	-----	A	1	90651-MA5-671	1251404
20	SCREW, FLAT (4X12)	3A	-----	-----	AC	2	93600-04012-0G	1218601
	SCREW, FLAT (4X12)	3A	-----	-----	AC	2	93600-04012-1G	1237346
	SCREW, FLAT (4X12)	4A	-----	-----	A	2	90158-MT7-000	6627319
21	SCREW-WASHER (4X12)	3A	-----	-----	AC	1	93893-04012-07	1374008
		4A	-----	-----	A	1	93893-04012-07	1374008
	SCREW-WASHER (4X12)	3A	-----	-----	AC	1	93893-04012-17	1237353
		4A	-----	-----	A	1	93893-04012-17	1237353
22	BOLT, FLANGE (6X22)	3A	-----	-----	AC	2	96001-06022-07	2105971
		4A	-----	-----	A	2	90010-GHB-660	7027881

FRONT BRAKE HOSE (ST1300)



MCS4-F0500A

MCS4F0500A

3 =ST1300'03
 3A=ST1300A'03
 4 =ST1300'04
 4A=ST1300A'04

F-5

 Frame
 Serial Number

Ref	Description	Model	From	To	AREA	QTY	Part Number	H/C
1	HOSE B, SUB-BRAKE	3	-----	-----	AC	1	43323-MCS-G01	7126170
		4	-----	-----	A	1	43323-MCS-G01	7126170
2	HOSE C, SUB-BRAKE	3	-----	-----	AC	1	43324-MCS-G02	7126188
		4	-----	-----	A	1	43324-MCS-G02	7126188
3	PIPE C, SUB-BRAKE	3	-----	-----	AC	1	43325-MCS-G00	7126196
		4	-----	-----	A	1	43325-MCS-G00	7126196
4	HOSE D, SUB-BRAKE	3	-----	-----	AC	1	43326-MCS-G01	7126204
		4	-----	-----	A	1	43326-MCS-G01	7126204
5	HOSE A, SECOND BRAKE MASTER CYLINDER	3	-----	-----	AC	1	43330-MCS-G02	7126212
		4	-----	-----	A	1	43330-MCS-G02	7126212
6	PIPE A, SECOND BRAKE MASTER CYLINDER	3	-----	-----	AC	1	43331-MCS-G02	7126220
		4	-----	-----	A	1	43331-MCS-G02	7126220
7	HOSE B, FR. BRAKE	3	-----	-----	AC	1	45128-MCS-G02	7126527
		4	-----	-----	A	1	45128-MCS-G02	7126527
8	PIPE C, FR. BRAKE	3	-----	-----	AC	1	45129-MCS-G00	7126535
		4	-----	-----	A	1	45129-MCS-G00	7126535
9	HOSE C, FR. BRAKE	3	-----	-----	AC	1	45131-MCS-G01	7126543
		4	-----	-----	A	1	45131-MCS-G01	7126543
10	STAY A, FR. BRAKE HOSE	3	-----	-----	AC	1	45156-MCS-G00	7126568

FRONT BRAKE HOSE (ST1300)

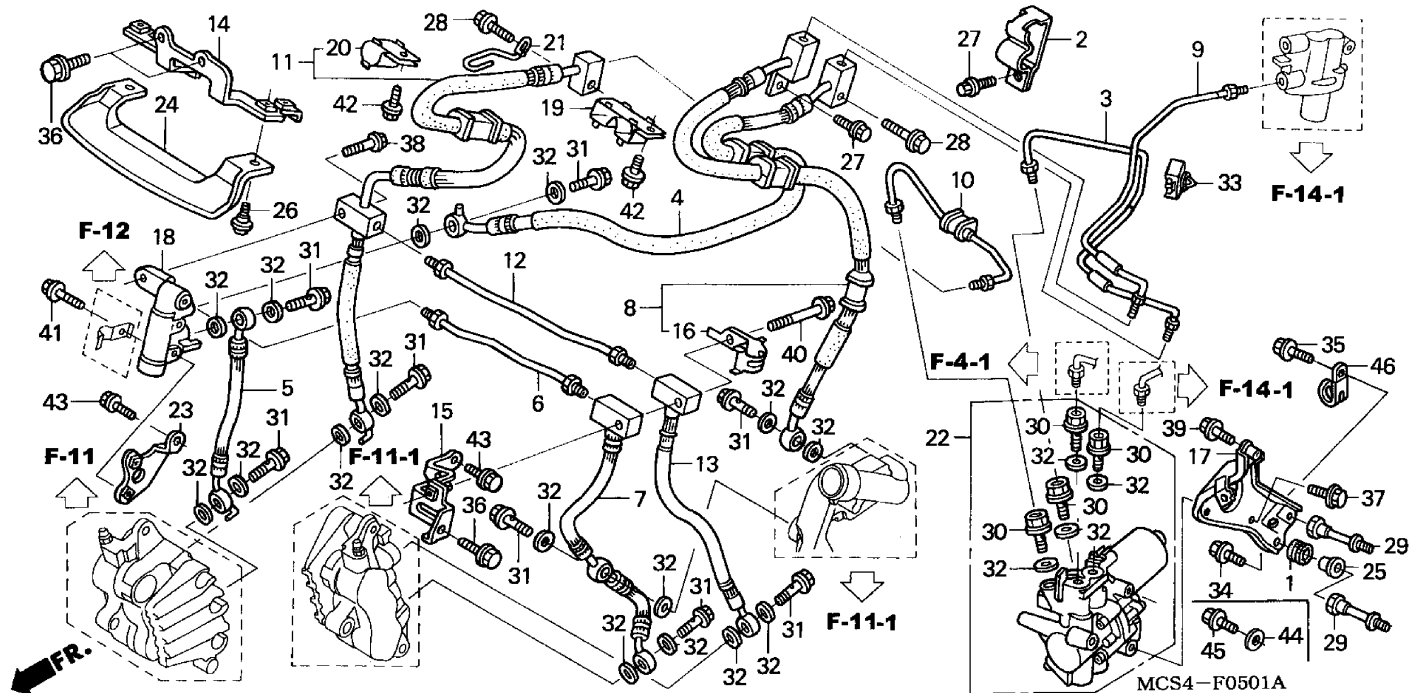
3 =ST1300'03
 3A=ST1300A'03
 4 =ST1300'04
 4A=ST1300A'04

F-5

Frame
Serial Number

Ref	Description	Model	From	To	AREA	QTY	Part Number	H/C
10	STAY A, FR. BRAKE HOSE.....	4	-----	-----	A	1	45156-MCS-760	7679228
11	STAY B, FR. BRAKE HOSE.....	3	-----	-----	AC	1	45157-MCS-G00	7126576
		4	-----	-----	A	1	45157-MCS-G00	7126576
12	CLAMP, FR. BRAKE HOSE.....	3	-----	-----	AC	1	45158-MCS-G00	7126592
		4	-----	-----	A	1	45158-MCS-G00	7126592
13	DELAY VALVE ASSY.	3	-----	-----	AC	1	46300-MCS-G01	7126683
		4	-----	-----	A	1	46300-MCS-G01	7126683
14	CLAMP, BRAKE HOSE	3	-----	-----	AC	1	52115-MAT-000	5215264
		4	-----	-----	A	1	52115-MAT-000	5215264
15	CLAMP, BRAKE HOSE	3	-----	-----	AC	1	52115-ML8-670	2143956
		4	-----	-----	A	1	52115-ML8-670	2143956
16	GUIDE, THROTTLE CABLE.....	3	-----	-----	AC	1	53121-MCS-G00	7127160
		4	-----	-----	A	1	53121-MCS-G00	7127160
17	STAY, FR. FENDER.....	3	-----	-----	AC	1	61103-MCS-G00	7127236
		4	-----	-----	A	1	61103-MCS-G00	7127236
18	GUIDE, AIR CENTER.....	3	-----	-----	AC	1	61403-MCS-G00	7127244
19	BOLT, STATOR COVER SETTING	3	-----	-----	AC	2	90018-ZA5-000	1268101
20	BOLT, FLANGE (6X12)	3	-----	-----	AC	1	90103-MCS-G00	7128622
		4	-----	-----	A	1	90103-MCS-G00	7128622
21	BOLT, FLANGE (6X28)	3	-----	-----	AC	2	90114-MCS-G00	7128689
		4	-----	-----	A	2	90114-MCS-G00	7128689
22	BOLT, OIL (10X22).....	3	-----	-----	AC	8	90145-MS9-612	5369418
		4	-----	-----	A	8	90145-MS9-612	5369418
23	WASHER, OIL BOLT	3	-----	-----	AC	16	90545-300-000	0189902
		4	-----	-----	A	16	90545-300-000	0189902
24	CLAMP, BRAKE PIPE (6.8X2)	3	-----	-----	AC	1	90661-MCA-003	6622161
		4	-----	-----	A	1	90661-MCA-003	6622161
25	BOLT, FLANGE (6X14)	3	-----	-----	AC	3	95701-06014-07	2621035
		4	-----	-----	A	3	95701-06014-07	2621035
26	BOLT, FLANGE (6X25)	3	-----	-----	AC	1	95701-06025-07	2449122
		4	-----	-----	A	1	95701-06025-07	2449122
27	BOLT, FLANGE (6X45)	3	-----	-----	AC	1	95701-06045-07	2410967
		4	-----	-----	A	1	95701-06045-07	2410967
28	BOLT, FLANGE (6X38)	3	-----	-----	AC	2	95801-06038-07	4980827
		4	-----	-----	A	2	95801-06038-07	4980827
29	BOLT, FLANGE (6X12)	3	-----	-----	AC	2	96001-06012-07	2105948
		4	-----	-----	A	2	96001-06012-07	2105948
30	BOLT, FLANGE (6X16)	3	-----	-----	AC	2	96001-06016-07	2532737
		4	-----	-----	A	2	96001-06016-07	2532737

FRONT BRAKE HOSE (ST1300A)



MCS4F0501A

3 =ST1300'03
 3A=ST1300A'03
 4 =ST1300'04
 4A=ST1300A'04

F-5-1

 Frame
 Serial Number

Ref	Description	Model	From	To	AREA	QTY	Part Number	H/C
1	RUBBER, CUSHION	3A	-----	-----	AC	1	17622-GB7-900	2025013
		4A	-----	-----	A	1	17622-GB7-900	2025013
2	CLAMP, RR. BRAKE PIPE.....	3A	-----	-----	AC	1	43155-MCS-G00	7126022
		4A	-----	-----	A	1	43155-MCS-G00	7126022
3	PIPE B, SUB-BRAKE	3A	-----	-----	AC	1	43322-MCS-G02	7126162
		4A	-----	-----	A	1	43322-MCS-G02	7126162
4	HOSE B, SUB-BRAKE	3A	-----	-----	AC	1	43323-MCS-G01	7126170
		4A	-----	-----	A	1	43323-MCS-G01	7126170
5	HOSE C, SUB-BRAKE	3A	-----	-----	AC	1	43324-MCS-G02	7126188
		4A	-----	-----	A	1	43324-MCS-G02	7126188
6	PIPE C, SUB-BRAKE	3A	-----	-----	AC	1	43325-MCS-G00	7126196
		4A	-----	-----	A	1	43325-MCS-G00	7126196
7	HOSE D, SUB-BRAKE	3A	-----	-----	AC	1	43326-MCS-G01	7126204
		4A	-----	-----	A	1	43326-MCS-G01	7126204
8	HOSE A, SECOND BRAKE MASTER CYLINDER	3A	-----	-----	AC	1	43330-MCS-G02	7126212
		4A	-----	-----	A	1	43330-MCS-G02	7126212
9	PIPE A, SECOND BRAKE MASTER CYLINDER	3A	-----	-----	AC	1	43331-MCS-G02	7126220
		4A	-----	-----	A	1	43331-MCS-G02	7126220
10	PIPE B, FR. BRAKE	3A	-----	-----	AC	1	45127-MCS-G02	7126519
		4A	-----	-----	A	1	45127-MCS-G02	7126519

FRONT BRAKE HOSE (ST1300A)

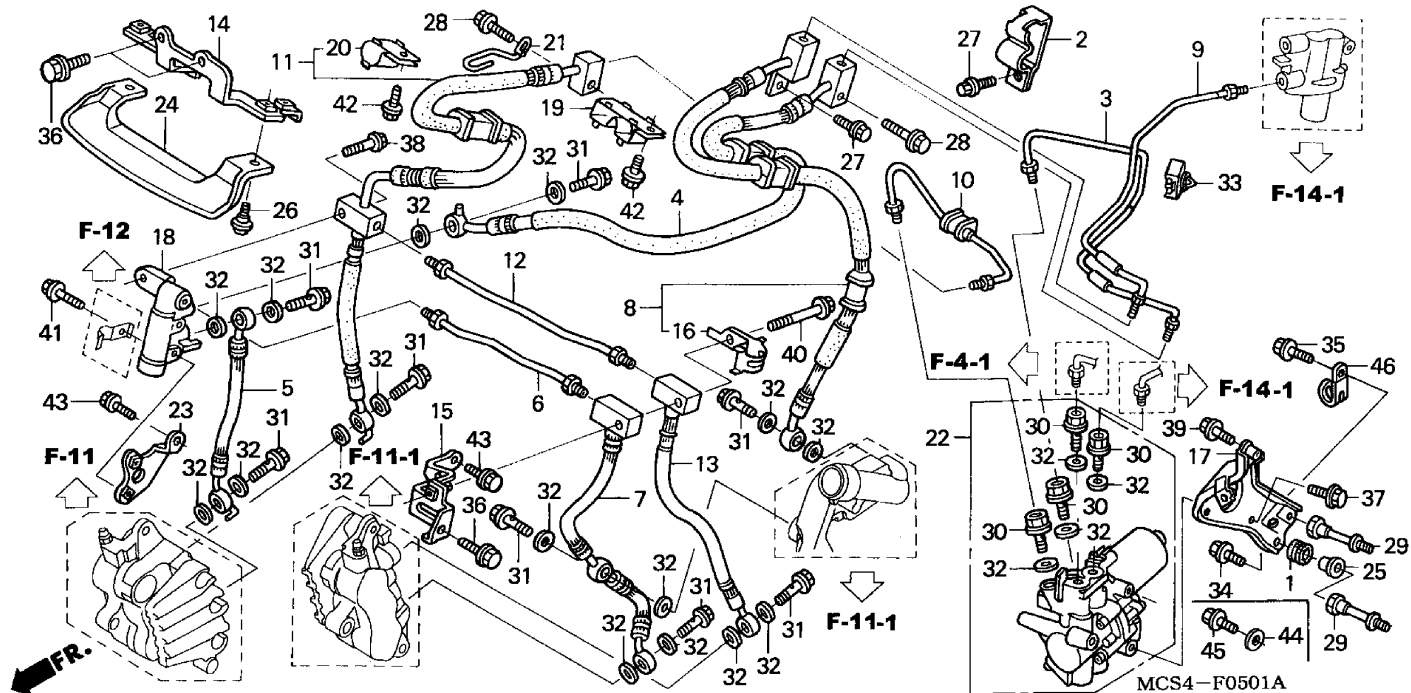
3 =ST1300'03
 3A=ST1300A'03
 4 =ST1300'04
 4A=ST1300A'04

F-5-1

Frame
Serial Number

Ref	Description	Model	From	To	AREA	QTY	Part Number	H/C
11	HOSE B, FR. BRAKE	3A	-----	-----	AC	1	45128-MCS-G02	7126527
		4A	-----	-----	A	1	45128-MCS-G02	7126527
12	PIPE C, FR. BRAKE.....	3A	-----	-----	AC	1	45129-MCS-G00	7126535
		4A	-----	-----	A	1	45129-MCS-G00	7126535
13	HOSE C, FR. BRAKE.....	3A	-----	-----	AC	1	45131-MCS-G01	7126543
		4A	-----	-----	A	1	45131-MCS-G01	7126543
14	STAY A, FR. BRAKE HOSE..... STAY A, FR. BRAKE HOSE.....	3A	-----	-----	AC	1	45156-MCS-G00	7126568
		4A	-----	-----	A	1	45156-MCS-760	7679228
15	STAY B, FR. BRAKE HOSE.....	3A	-----	-----	AC	1	45157-MCS-G00	7126576
		4A	-----	-----	A	1	45157-MCS-G00	7126576
16	CLAMP, FR. BRAKE HOSE	3A	-----	-----	AC	1	45158-MCS-G00	7126592
		4A	-----	-----	A	1	45158-MCS-G00	7126592
17	BRACKET, FR. ABS MODULATOR.....	3A	-----	-----	AC	1	45165-MCS-G00	7126618
		4A	-----	-----	A	1	45165-MCS-G00	7126618
18	DELAY VALVE ASSY.	3A	-----	-----	AC	1	46300-MCS-G01	7126683
		4A	-----	-----	A	1	46300-MCS-G01	7126683
19	CLAMP, BRAKE HOSE	3A	-----	-----	AC	1	52115-MAT-000	5215264
		4A	-----	-----	A	1	52115-MAT-000	5215264
20	CLAMP, BRAKE HOSE	3A	-----	-----	AC	1	52115-ML8-670	2143956
		4A	-----	-----	A	1	52115-ML8-670	2143956
21	GUIDE, THROTTLE CABLE.....	3A	-----	-----	AC	1	53121-MCS-G00	7127160
		4A	-----	-----	A	1	53121-MCS-G00	7127160
22	MODULATOR ASSY., ABS	3A	-----	-----	AC	1	57100-MCA-971	6620595
		4A	-----	-----	A	1	57100-MCA-971	6620595
23	STAY, FR. FENDER.....	3A	-----	-----	AC	1	61103-MCS-G00	7127236
		4A	-----	-----	A	1	61103-MCS-G00	7127236
24	GUIDE, AIR CENTER.....	3A	-----	-----	AC	1	61403-MCS-G00	7127244
25	COLLAR, TAILLIGHT SETTING.....	3A	-----	-----	AC	1	84706-163-670	0796169
		4A	-----	-----	A	1	84706-163-670	0796169
26	BOLT, STATOR COVER SETTING	3A	-----	-----	AC	2	90018-ZA5-000	1268101
27	BOLT, FLANGE (6X12)	3A	-----	-----	AC	2	90103-MCS-G00	7128622
		4A	-----	-----	A	2	90103-MCS-G00	7128622
28	BOLT, FLANGE (6X28)	3A	-----	-----	AC	2	90114-MCS-G00	7128689
		4A	-----	-----	A	2	90114-MCS-G00	7128689
29	BOLT, MIDDLE COWL.....	3A	-----	-----	AC	2	90135-MCS-G00	7128812
		4A	-----	-----	A	2	90135-MCS-G00	7128812
	BOLT, MIDDLE COWL.....	3A	-----	-----	AC	2	90135-MCS-G01	7128820
		4A	-----	-----	A	2	90135-MCS-G01	7128820
30	BOLT, OIL (10X10.6)	3A	-----	-----	AC	4	90145-MCA-971	6621932
		4A	-----	-----	A	4	90145-MCA-971	6621932

FRONT BRAKE HOSE (ST1300A)



MCS4F0501A

3 =ST1300'03
 3A=ST1300A'03
 4 =ST1300'04
 4A=ST1300A'04

F-5-1

 Frame
 Serial Number

Ref	Description	Model	From	To	AREA	QTY	Part Number	H/C
31	BOLT, OIL (10X22).....	3A	-----	-----	AC	8	90145-MS9-612	5369418
		4A	-----	-----	A	8	90145-MS9-612	5369418
32	WASHER, OIL BOLT	3A	-----	-----	AC	20	90545-300-000	0189902
		4A	-----	-----	A	20	90545-300-000	0189902
33	CLAMP, BRAKE PIPE (6.8X2)	3A	-----	-----	AC	1	90661-MCA-003	6622161
		4A	-----	-----	A	1	90661-MCA-003	6622161
34	BOLT-WASHER (6X16)	3A	-----	-----	AC	1	93404-06016-07	2562973
35	BOLT, FLANGE (6X10)	3A	-----	-----	AC	1	95701-06010-07	2374734
		4A	-----	-----	A	1	95701-06010-07	2374734
36	BOLT, FLANGE (6X14)	3A	-----	-----	AC	3	95701-06014-07	2621035
		4A	-----	-----	A	3	95701-06014-07	2621035
37	BOLT, FLANGE (6X14)	3A	-----	-----	AC	3	95701-06014-08	2374742
		4A	-----	-----	A	3	95701-06014-08	2374742
38	BOLT, FLANGE (6X25)	3A	-----	-----	AC	1	95701-06025-07	2449122
		4A	-----	-----	A	1	95701-06025-07	2449122
39	BOLT, FLANGE (6X40)	3A	-----	-----	AC	1	95701-06040-07	2410959
		4A	-----	-----	A	1	95701-06040-07	2410959
40	BOLT, FLANGE (6X45)	3A	-----	-----	AC	1	95701-06045-07	2410967
		4A	-----	-----	A	1	95701-06045-07	2410967
41	BOLT, FLANGE (6X38)	3A	-----	-----	AC	2	95801-06038-07	4980827
		4A	-----	-----	A	2	95801-06038-07	4980827

FRONT BRAKE HOSE (ST1300A)

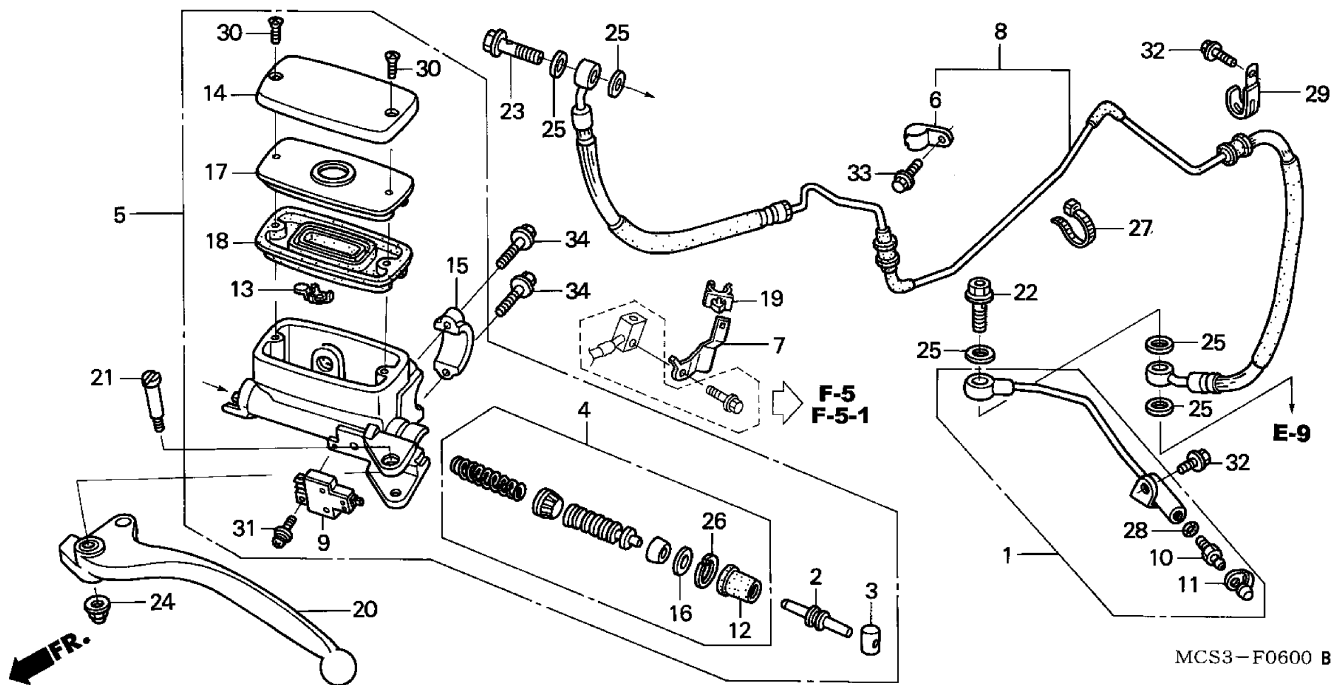
3 =ST1300'03
 3A=ST1300A'03
 4 =ST1300'04
 4A=ST1300A'04

F-5-1

Frame
Serial Number

Ref	Description	Model	From	To	AREA	QTY	Part Number	H/C
42	BOLT, FLANGE (6X12)	3A	-----	-----	AC	2	96001-06012-07	2105948
		4A	-----	-----	A	2	96001-06012-07	2105948
43	BOLT, FLANGE (6X16)	3A	-----	-----	AC	2	96001-06016-07	2532737
		4A	-----	-----	A	2	96001-06016-07	2532737
44	WASHER, PLAIN (6MM)	4A	-----	-----	A	1	90525-428-900	1544816
45	BOLT, FLANGE (6X16)	4A	-----	-----	A	1	95701-06016-07	2316578
46	CLIP, CORD	3A	-----	-----	AC	1	91405-943-000	1506856
		4A	-----	-----	A	1	91405-943-000	1506856

CLUTCH MASTER CYLINDER



3 =ST1300'03
 3A=ST1300A'03
 4 =ST1300'04
 4A=ST1300A'04

F-6

 Frame
 Serial Number

Ref	Description	Model	From	To	AREA	QTY	Part Number	H/C
1	PIPE ASSY., BLEEDER.....	3 3A	-----	-----	AC	1	22865-MCS-G00	7124613
		4 4A	-----	-----	A	1	22865-MCS-G00	7124613
2	ROD, PUSH	3 3A	-----	-----	AC	1	22884-MB0-006	1245729
		4 4A	-----	-----	A	1	22884-MB0-006	1245729
3	BUSH	3 3A	-----	-----	AC	1	22885-MB0-006	1245737
		4 4A	-----	-----	A	1	22885-MB0-006	1245737
4	PISTON SET, MASTER.....	3 3A	-----	-----	AC	1	22886-MCS-G01	7124621
		4 4A	-----	-----	A	1	22886-MCS-G01	7124621
5	MASTER CYLINDER SUB-ASSY., CLUTCH.....	3 3A	-----	-----	AC	1	22890-MCS-G01	7124639
		4 4A	-----	-----	A	1	22890-MCS-761	7679111
6	CLAMP A, CLUTCH PIPE	3 3A	-----	-----	AC	1	22891-MCS-G00	7124647
		4 4A	-----	-----	A	1	22891-MCS-G00	7124647
7	CLAMP C, CLUTCH PIPE	3 3A	-----	-----	AC	1	22893-MCS-G00	7124654
		4 4A	-----	-----	A	1	22893-MCS-G00	7124654
8	PIPE, CLUTCH.....	3	-----	3M100705	AC	1	22900-MCS-G01	7124662
		3A	-----	3M100329	AC	1	22900-MCS-G01	7124662
PIPE, CLUTCH.....	3	3M100706	-----	-----	AC	1	22900-MCS-G02	7367022
	4 4A	-----	-----	-----	A	1	22900-MCS-G02	7367022
	3A	3M100330	-----	-----	AC	1	22900-MCS-G02	7367022

CLUTCH MASTER CYLINDER

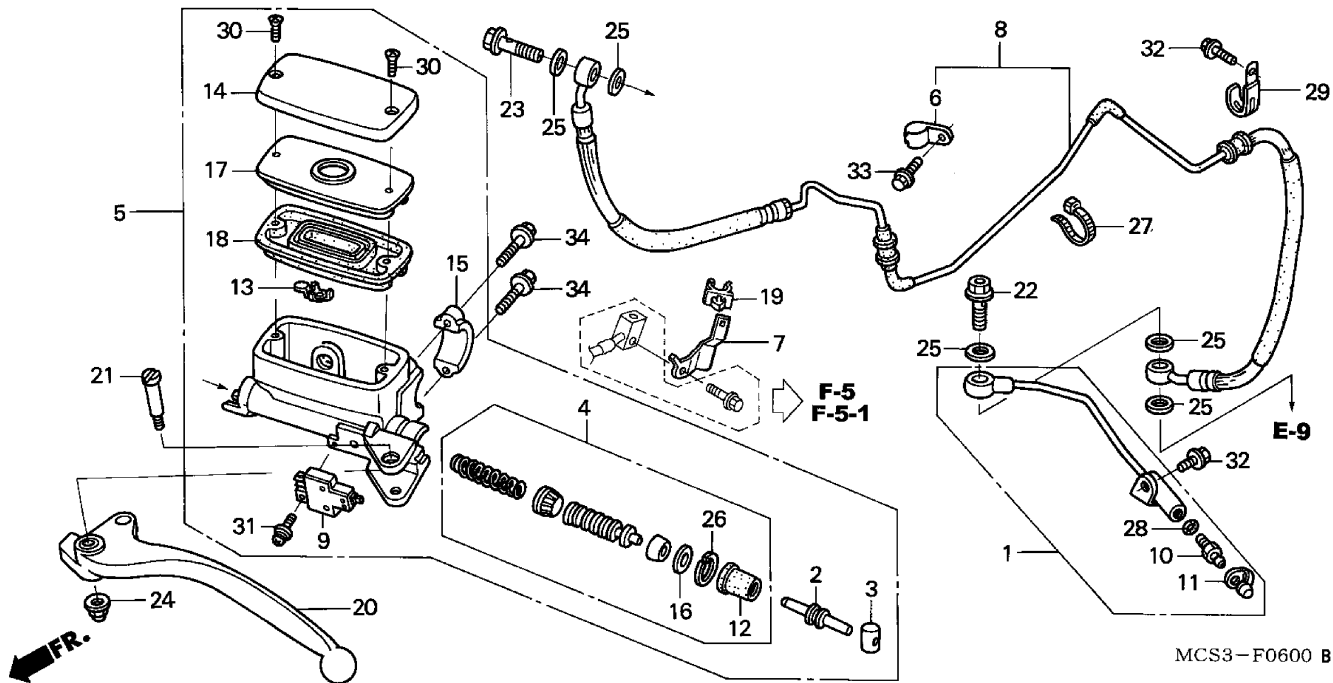
3 =ST1300'03
 3A=ST1300A'03
 4 =ST1300'04
 4A=ST1300A'04

F-6

Frame
Serial Number

Ref	Description	Model	From	To	AREA	QTY	Part Number	H/C
9	SWITCH ASSY., CLUTCH	3 3A	-----	-----	AC	1	35330-MB0-003	1246859
		4 4A	-----	-----	A	1	35330-MB0-003	1246859
10	SCREW, BLEEDER	3 3A	-----	-----	AC	1	43352-MG9-006	2457547
		4 4A	-----	-----	A	1	43352-MG9-006	2457547
11	CAP, BLEEDER SCREW (NOT AVAILABLE)	3 3A	-----	-----	AC	1	43353-MG9-006	2457554
		4 4A	-----	-----	A	1	43353-MG9-006	2457554
	CAP, BLEEDER SCREW	3 3A	-----	-----	AC	1	43353-443-761	1011873
		4 4A	-----	-----	A	1	43353-443-761	1011873
	CAP, BLEEDER	3 3A	-----	-----	AC	1	43353-461-771	0954230
		4 4A	-----	-----	A	1	43353-461-771	0954230
12	BOOT	3 3A	-----	-----	AC	1	45504-410-003	1211820
		4 4A	-----	-----	A	1	45504-410-003	1211820
13	PROTECTOR	3 3A	-----	-----	AC	1	45512-MA6-006	1235688
		4 4A	-----	-----	A	1	45512-MA6-006	1235688
14	CAP, MASTER CYLINDER (NISSIN)	3 3A	-----	-----	AC	1	45513-MM5-016	7088354
		4 4A	-----	-----	A	1	45513-MR1-016	7091945
15	HOLDER, MASTER CYLINDER	3 3A	-----	-----	AC	1	45517-166-006	1082338
		4 4A	-----	-----	A	1	45517-MCS-761	7679244
16	PLATE, STOPPER	3 3A	-----	-----	AC	1	45518-MB0-006	1267293
		4 4A	-----	-----	A	1	45518-MB0-006	1267293
17	PLATE, DIAPHRAGM (NISSIN)	3 3A	-----	-----	AC	1	45518-MM5-006	2550325
		4 4A	-----	-----	A	1	45518-MM5-006	2550325
18	DIAPHRAGM (NISSIN)	3 3A	-----	-----	AC	1	45520-MM5-006	2550333
		4 4A	-----	-----	A	1	45520-MM5-006	2550333
19	CLIP C, BRAKE PIPE	3 3A	-----	-----	AC	1	50304-HE0-003	3059813
		4 4A	-----	-----	A	1	17938-SE0-941	2114254
20	LEVER, L. HANDLE	3 3A	-----	-----	AC	1	53178-MCS-G01	7127194
		4 4A	-----	-----	A	1	53178-MCS-G01	7127194
21	BOLT, R. HANDLEBAR PIVOT	3 3A	-----	-----	AC	1	90114-MA5-671	0952416
		4 4A	-----	-----	A	1	90114-MA5-671	0952416
22	BOLT, OIL (10X34)	3 3A	-----	-----	AC	1	90145-MR8-014	5646567
		4 4A	-----	-----	A	1	90145-MR8-014	5646567
23	BOLT, OIL (10X22)	3 3A	-----	-----	AC	1	90145-MS9-612	5369418
		4 4A	-----	-----	A	1	90145-MS9-612	5369418
24	NUT, CAP (6MM)	3 3A	-----	-----	AC	1	90201-415-000	0670729
		4 4A	-----	-----	A	1	90201-415-000	0670729
25	WASHER, OIL BOLT	3 3A	-----	-----	AC	5	90545-300-000	0189902
		4 4A	-----	-----	A	5	90545-300-000	0189902

CLUTCH MASTER CYLINDER



3 =ST1300'03
 3A=ST1300A'03
 4 =ST1300'04
 4A=ST1300A'04

F-6

 Frame
 Serial Number

Ref	Description	Model	From	To	AREA	QTY	Part Number	H/C
26	CIRCLIP (INNER) (18MM)	3 3A	-----	AC	1	90651-377-003	0400572	
		4 4A	-----	A	1	90651-377-003	0400572	
27	BAND, WIRE	3 3A	-----	AC	1	90652-KT1-771	2710416	
		4 4A	-----	A	1	90652-KT1-771	2710416	
28	O-RING (5.8X1.9) (NISSIN)	3 3A	-----	AC	1	91355-MG9-006	2576320	
		4 4A	-----	A	1	91355-MG9-006	2576320	
29	CLIP, WIRE	3 3A	-----	AC	1	91406-166-000	1083211	
	CLIP, CORD	4 4A	-----	A	1	91405-943-000	1506856	
30	SCREW, FLAT (4X12)	3 3A	-----	AC	2	93600-04012-0G	1218601	
	SCREW, FLAT (4X12)	3 3A	-----	AC	2	93600-04012-1G	1237346	
	SCREW, FLAT (4X12)	4 4A	-----	A	2	90158-MT7-000	6627319	
31	SCREW-WASHER (4X12)	3 3A	-----	AC	1	93893-04012-07	1374008	
	SCREW-WASHER (4X12)	4 4A	-----	A	1	93893-04012-07	1374008	
	SCREW-WASHER (4X12)	3 3A	-----	AC	1	93893-04012-17	1237353	
	SCREW-WASHER (4X12)	4 4A	-----	A	1	93893-04012-17	1237353	
32	BOLT, FLANGE (6X10)	3 3A	-----	AC	2	96001-06010-00	2154656	
	BOLT, FLANGE (6X10)	4 4A	-----	A	2	96001-06010-00	2154656	
33	BOLT, FLANGE (6X16)	3 3A	-----	AC	1	96001-06016-00	2105955	
	BOLT, FLANGE (6X16)	4 4A	-----	A	1	96001-06016-00	2105955	
34	BOLT, FLANGE (6X22)	3 3A	-----	AC	2	96001-06022-07	2105971	

CLUTCH MASTER CYLINDER

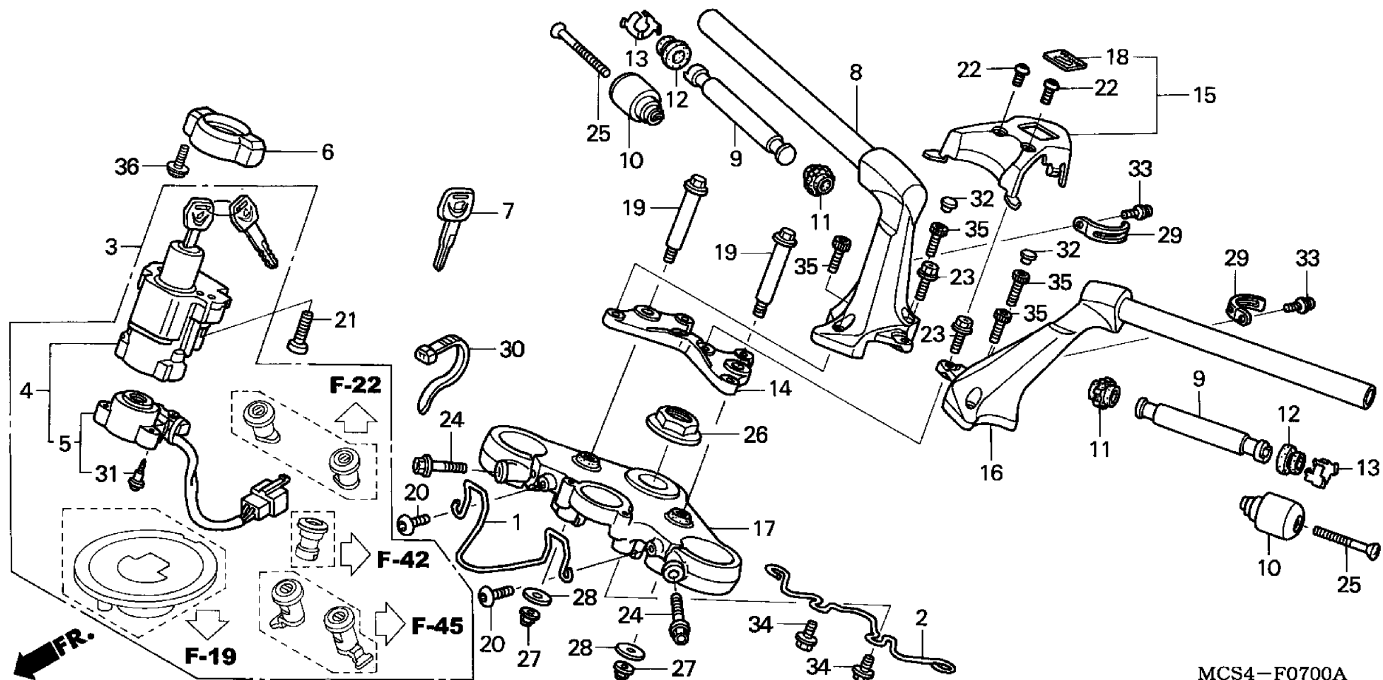
3 =ST1300'03
 3A=ST1300A'03
 4 =ST1300'04
 4A=ST1300A'04

F-6

Frame
Serial Number

Ref	Description	Model	From	To	AREA	QTY	Part Number	H/C
34	BOLT, FLANGE (6X22)	4 4A	-----	-----	A	2	90010-GHB-660	7027881

HANDLEBAR • TOP BRIDGE



MCS4-F0700A

MCS4F0700A

3 =ST1300'03
 3A=ST1300A'03
 4 =ST1300'04
 4A=ST1300A'04

F-7

 Frame
 Serial Number

Ref	Description	Model	From	To	AREA	QTY	Part Number	H/C
1	GUIDE, THROTTLE CABLE.....	3 3A	-----	-----	AC	1	17970-MCS-G00	7124092
		4 4A	-----	-----	A	1	17970-MCS-G00	7124092
2	GUIDE, WIRE HARNESS.....	3 3A	-----	-----	AC	1	17980-MCS-G00	7124100
		4 4A	-----	-----	A	1	17980-MCS-G00	7124100
3	LOCK SET	3 3A	-----	-----	AC	1	35010-MCS-L00	7125404
		4 4A	-----	-----	A	1	35010-MCS-L00	7125404
4	SWITCH ASSY., COMBINATION & LOCK	3 3A	-----	-----	AC	1	35100-MCS-L01	7125453
		4 4A	-----	-----	A	1	35100-MCS-L01	7125453
5	BASE, CONTACT.....	3 3A	-----	-----	AC	1	35101-MCS-G01	7125461
		4 4A	-----	-----	A	1	35101-MCS-G01	7125461
6	COVER, COMBINATION SWITCH	3 3A	-----	-----	AC	1	35106-MCS-L00	7125479
		4 4A	-----	-----	A	1	35106-MCS-L00	7125479
7	KEY, BLANK (TYPE1)	3 3A	-----	-----	AC	(1)	35121-MAS-G01	5729884
		4 4A	-----	-----	A	(1)	35121-MAS-G01	5729884
8	HANDLEBAR, R. *NH295M* (SPARKLING SILVER METALLIC).....	3 3A	-----	-----	AC	1	53100-MCS-G00ZA	7127137
		4 4A	-----	-----	A	1	53100-MCS-G00ZA	7127137
9	WEIGHT, HANDLEBAR (B)	3 3A	-----	-----	AC	2	53105-KV3-000	3117017
		4 4A	-----	-----	A	2	53105-KV3-000	3117017
10	WEIGHT, HANDLEBAR	3	3M100856	-----	AC	2	53105-MCS-G00	7217268
		4 4A	-----	-----	A	2	53105-MCS-G00	7217268
		3A	3M100555	-----	AC	2	53105-MCS-G00	7217268

HANDLEBAR • TOP BRIDGE

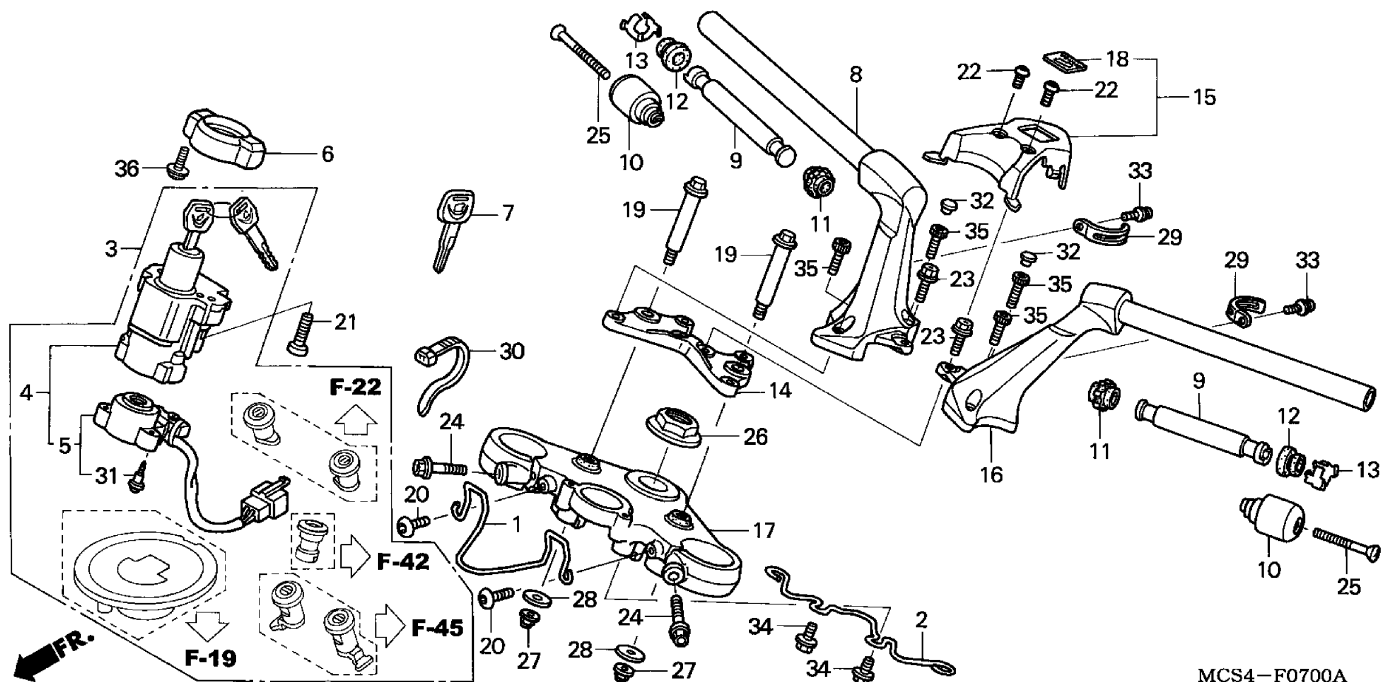
3 =ST1300'03
 3A=ST1300A'03
 4 =ST1300'04
 4A=ST1300A'04

F-7

 Frame
 Serial Number

Ref	Description	Model	From	To	AREA	QTY	Part Number	H/C
10	WEIGHT, HANDLEBAR	3	-----	3M100855	AC	2	53105-MK4-620	3717022
		3A	-----	3M100554	AC	2	53105-MK4-620	3717022
11	RUBBER, HANDLE WEIGHT (A)	3 3A	-----		AC	2	53106-MJ0-000	2071496
		4 4A	-----		A	2	53106-MJ0-000	2071496
12	RUBBER, HANDLE WEIGHT (B)	3 3A	-----		AC	2	53107-MJ0-000	2071504
		4 4A	-----		A	2	53107-MJ0-000	2071504
13	RING, HANDLE WEIGHT SNAP	3 3A	-----		AC	2	53108-MJ0-000	2071512
		4 4A	-----		A	2	53108-MJ0-000	2071512
14	SPACER, HANDLE	3 3A	-----		AC	1	53111-MCS-G00	7127145
		4 4A	-----		A	1	53111-MCS-G00	7127145
15	COVER, HANDLE *NH295M* (SPARKLING SILVER METALLIC)	3 3A	-----		AC	1	53115-MCS-G00ZA	7127152
		4 4A	-----		A	1	53115-MCS-G00ZA	7127152
16	HANDLEBAR, L. *NH295M* (SPARKLING SILVER METALLIC)	3 3A	-----		AC	1	53150-MCS-G00ZA	7127178
		4 4A	-----		A	1	53150-MCS-G00ZA	7127178
17	BRIDGE, FORK TOP	3 3A	-----		AC	1	53300-MCS-G00	7127210
		4 4A	-----		A	1	53300-MCS-G00	7127210
18	EMBLEM, WING MARK	3 3A	-----		AC	1	86150-GEZ-000	7128333
		4 4A	-----		A	1	86150-KPG-901	7580889
19	BOLT, SPECIAL (8MM)	3 3A	-----		AC	2	90104-MCC-000	7128630
		4 4A	-----		A	2	90104-MCC-000	7128630
20	SCREW, PAN (6X12)	3 3A	-----		AC	2	90106-MAV-000	5391982
		4 4A	-----		A	2	90106-MAV-000	5391982
21	BOLT, ONE-WAY (8MM)	3 3A	-----		AC	2	90107-MBG-000	5742648
		4 4A	-----		A	2	90107-MBG-000	5742648
22	SCREW, SPECIAL (4X6.5)	3 3A	-----		AC	2	90136-MCS-G00	7128838
		4 4A	-----		A	2	90136-MCS-G00	7128838
23	BOLT, FLANGE (8X18)	3 3A	-----		AC	2	90137-MCS-G00	7128846
		4 4A	-----		A	2	90137-MCS-G00	7128846
24	BOLT, FLANGE (8X40)	3 3A	-----		AC	2	90165-MCJ-000	6397830
		4 4A	-----		A	2	90165-MCJ-000	6397830
25	SCREW, OVAL (6X65)	3	-----	3M100005	AC	2	90191-KBG-000	3717360
		3A	-----	3M100007	AC	2	90191-KBG-000	3717360
BOLT, SOCKET (6X95)	3	3M100006	-----		AC	2	90191-MAJ-G00	4592697
	4 4A	-----			A	2	90191-MAJ-G00	4592697
	3A	3M100008	-----		AC	2	90191-MAJ-G00	4592697
26	NUT, STEERING STEM	3 3A	-----		AC	1	90304-MK3-000	2023653
		4 4A	-----		A	1	90304-MK3-000	2023653
27	NUT, FLANGE (8MM)	3 3A	-----		AC	2	90309-KF0-003	1420231
		4 4A	-----		A	2	90309-KF0-003	1420231

HANDLEBAR • TOP BRIDGE



MCS4-F0700A

MCS4F0700A

3 =ST1300'03
 3A=ST1300A'03
 4 =ST1300'04
 4A=ST1300A'04

F-7

 Frame
 Serial Number

Ref	Description	Model	From	To	AREA	QTY	Part Number	H/C
27	NUT, FLANGE (8MM).....	3 3A	-----	-----	AC	2	90309-428-731	1001197
		4 4A	-----	-----	A	2	90309-428-731	1001197
28	WASHER, HANDLE RUBBER	3 3A	-----	-----	AC	2	90535-KB9-000	1324656
		4 4A	-----	-----	A	2	90535-KB9-000	1324656
29	CLIP (4X50)	3 3A	-----	-----	AC	2	90601-KJ9-000	1702893
		4 4A	-----	-----	A	2	90601-KJ9-000	1702893
30	BAND, WIRE	3 3A	-----	-----	AC	1	90650-KV6-003	2687788
		4 4A	-----	-----	A	1	90650-KV6-003	2687788
31	SCREW, TAPPING (3X16).....	3 3A	-----	-----	AC	3	91059-KY2-711	3226867
		4 4A	-----	-----	A	3	91059-KY2-711	3226867
32	CAP, SOCKET BOLT (8MM)	3 3A	-----	-----	AC	6	91455-MB0-010	2332187
		4 4A	-----	-----	A	4	91455-MB0-010	2332187
33	SCREW-WASHER (5X8)	3 3A	-----	-----	AC	2	93891-05008-00	2374221
		4 4A	-----	-----	A	2	93891-05008-00	2374221
34	BOLT, FLANGE (6X10)	3 3A	-----	-----	AC	2	96300-06010-00	1829860
		4 4A	-----	-----	A	2	96300-06010-00	1829860
	BOLT, FLANGE (6X10)	3 3A	-----	-----	AC	2	96500-06010-00	2024198
		4 4A	-----	-----	A	2	96500-06010-00	2024198
35	BOLT, SOCKET (8X20)	3 3A	-----	-----	AC	4	96700-08020-00	2219830
		4 4A	-----	-----	A	4	96700-08020-00	2219830
	BOLT, SOCKET (8X20)	3 3A	-----	-----	AC	4	96700-08020-10	2016541

HANDLEBAR • TOP BRIDGE

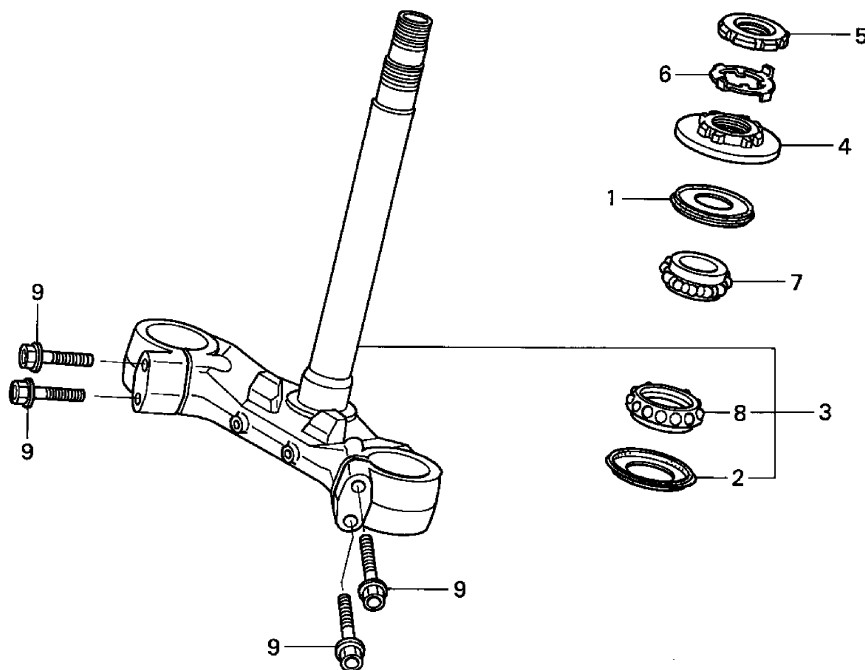
3 =ST1300'03
 3A=ST1300A'03
 4 =ST1300'04
 4A=ST1300A'04

F-7

 Frame
 Serial Number

Ref	Description	Model	From	To	AREA	QTY	Part Number	H/C
35	BOLT, SOCKET (8X20)	4 4A	-----	-----	A	4	96700-08020-10	2016541
36	SCREW-WASHER (5X28)	3 3A	-----	-----	AC	2	90020-MCS-G00	7217417
		4 4A	-----	-----	A	2	90020-MCS-G00	7217417

STEERING STEM



MCS3--F0800

MCS3F0800

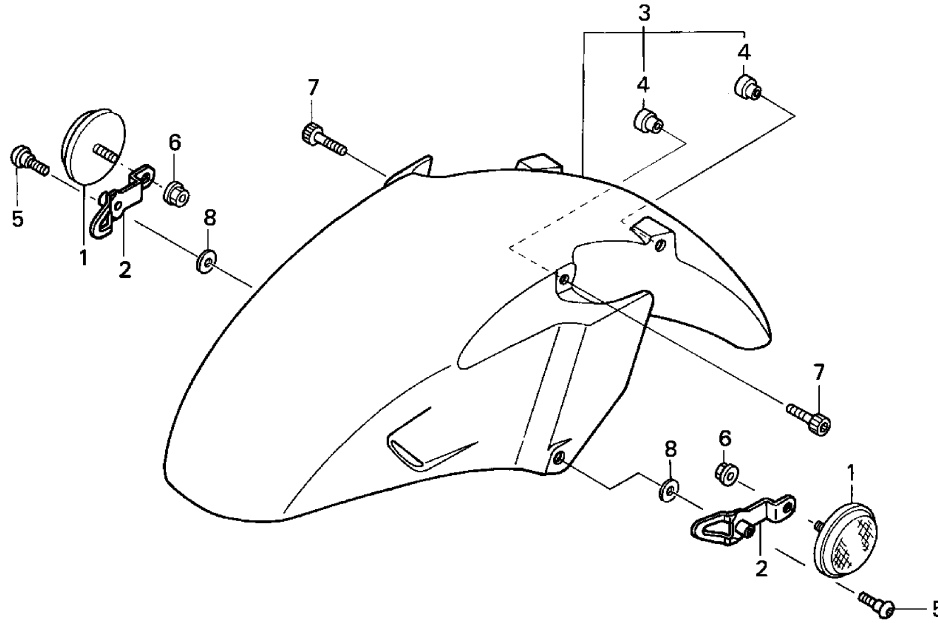
3 =ST1300'03
3A=ST1300A'03
4 =ST1300'04
4A=ST1300A'04

F-8

Frame
Serial Number

Ref	Description	Model	From	To	AREA	QTY	Part Number	H/C
1	DUST SEAL, STEERING HEAD (ARAI).....	3 3A	-----	-----	AC	1	53214-KA4-701	1186980
		4 4A	-----	-----	A	1	53214-KA4-701	1186980
2	DUST SEAL, STEERING HEAD	3 3A	-----	-----	AC	1	53214-371-010	0470948
		4 4A	-----	-----	A	1	53214-371-010	0470948
3	STEM SUB-ASSY., STEERING	3 3A	-----	-----	AC	1	53219-MCS-G00	7127202
		4 4A	-----	-----	A	1	53219-MCS-G00	7127202
4	THREAD, STEERING HEAD TOP	3 3A	-----	-----	AC	1	53220-MCJ-D10	7325210
		4 4A	-----	-----	A	1	53220-MCJ-D10	7325210
5	THREAD B, STEERING HEAD TOP	3	-----	3M100005	AC	1	90302-MCJ-750	7001985
		3A	-----	3M100007	AC	1	90302-MCJ-750	7001985
	THREAD, STEERING HEAD TOP (B)	3 3A	-----	-----	AC	1	90302-425-830	0823930
		4 4A	-----	-----	A	1	90302-425-830	0823930
6	WASHER, LOCK	3 3A	-----	-----	AC	1	90506-425-830	0823948
		4 4A	-----	-----	A	1	90506-425-830	0823948
7	BEARING, HEAD PIPE (UPPER).....	3 3A	-----	-----	AC	1	91015-KT8-005	2492825
		4 4A	-----	-----	A	1	91015-KT8-005	2492825
8	BEARING, HEAD PIPE (LOWER)	3 3A	-----	-----	AC	1	91016-KT8-005	2492833
		4 4A	-----	-----	A	1	91016-KT8-005	2492833
9	BOLT, FLANGE (8X45)	3 3A	-----	-----	AC	4	96300-08045-07	3915618
		4 4A	-----	-----	A	4	96300-08045-07	3915618

FRONT FENDER



MCS4-F0900A
MCS4F0900A

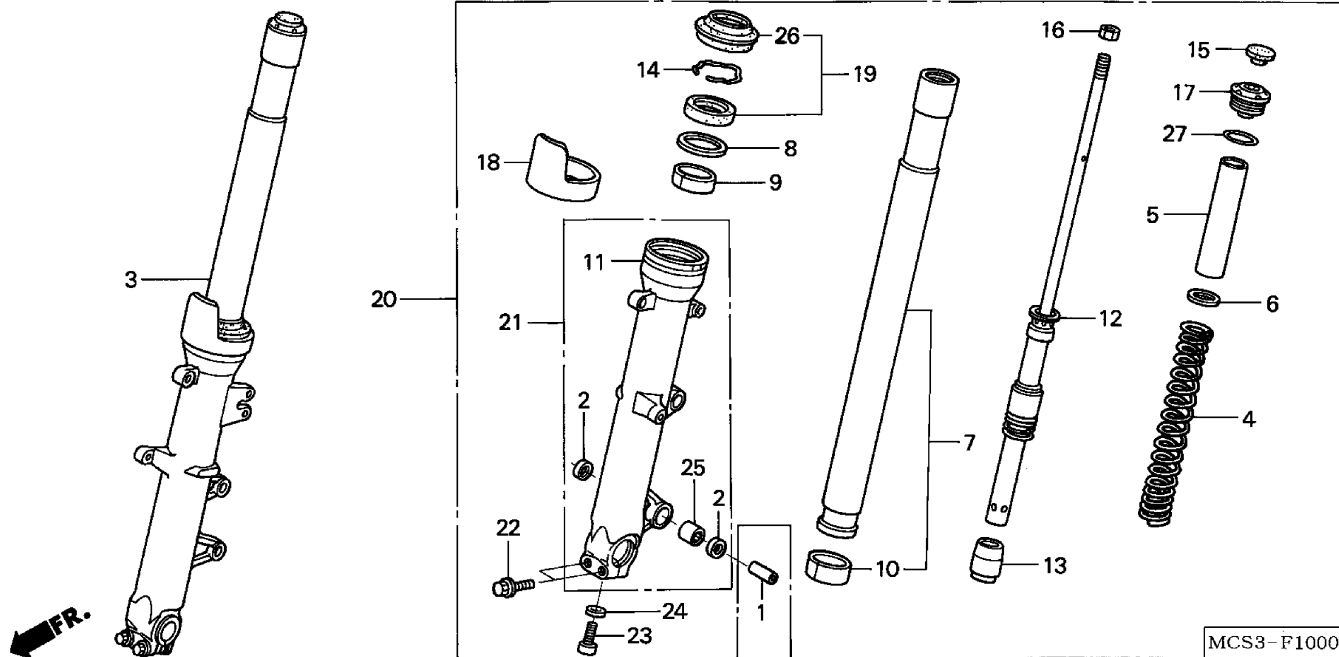
3 =ST1300'03
3A=ST1300A'03
4 =ST1300'04
4A=ST1300A'04

F-9

Frame
Serial Number

Ref	Description	Model	From	To	AREA	QTY	Part Number	H/C
1	REFLECTOR, FR. REFLEX (STANLEY)	3 3A	-----	-----	AC	2	33741-413-013	1882851
		4 4A	-----	-----	A	2	33741-413-013	1882851
	REFLECTOR, FR. REFLEX.....	3 3A	-----	-----	AC	2	33742-HB9-641	2387421
		4 4A	-----	-----	A	2	33742-HB9-641	2387421
2	STAY, FR. REFLECTOR	3 3A	-----	-----	AC	2	33742-MCS-L00	7217128
		4 4A	-----	-----	A	2	33742-MCS-L00	7217128
3	FENDER, FR. *NH478M* (TOWER SILVER METALLIC).....	3 3A	-----	-----	AC	1	61100-MCS-G00ZB	7127228
	FENDER, FR. *PB255P* (PEARL CORONADO BLUE).....	4 4A	-----	-----	A	1	61100-MCS-G00ZF	7679384
4	NUT, HEADLIGHT SETTING	3 3A	-----	-----	AC	4	61304-162-013	1021591
		4 4A	-----	-----	A	4	61304-162-013	1021591
5	SCREW, PAN (6X20)	3 3A	-----	-----	AC	2	90138-MCS-G00	7128853
		4 4A	-----	-----	A	2	90138-MCS-G00	7128853
6	NUT, FLANGE (6MM).....	3 3A	-----	-----	AC	2	94050-06000	0471623
		4 4A	-----	-----	A	2	94050-06000	0471623
7	BOLT, SOCKET (6X18)	3 3A	-----	-----	AC	2	96600-06018-00	2909547
		4 4A	-----	-----	A	2	96600-06018-00	2909547
8	WASHER, RUBBER.....	3 3A	-----	-----	AC	2	18325-MBV-000	7679061
		4 4A	-----	-----	A	2	18325-MBV-000	7679061

FRONT FORK



MCS3F1000

3 =ST1300'03
 3A=ST1300A'03
 4 =ST1300'04
 4A=ST1300A'04

F-10

 Frame
 Serial Number

Ref	Description	Model	From	To	AREA	QTY	Part Number	H/C
1	COLLAR, PIVOT.....	3 3A	-----	-----	AC	1	45452-MZ2-000	4181392
		4 4A	-----	-----	A	1	45452-MZ2-000	4181392
2	DUST SEAL, BRAKE CAM.....	3 3A	-----	-----	AC	2	45134-KB7-005	1221399
		4 4A	-----	-----	A	2	45134-KB7-005	1221399
3	FORK ASSY., R. FR.	3	-----	3M100005	AC	1	51400-MCS-G01	7126972
		3A	-----	3M100007	AC	1	51400-MCS-G01	7126972
	FORK ASSY., R. FR.	3	-----	-----	AC	1	51400-MCS-G02	7217243
		3A	-----	3M100795	AC	1	51400-MCS-G02	7217243
	FORK ASSY., R. FR.	4 4A	-----	-----	A	1	51400-MCS-G03	7547797
		3A	3M100796	-----	AC	1	51400-MCS-G03	7547797
4	SPRING, FR. FORK.....	3 3A	-----	-----	AC	2	51401-MCS-G01	7126980
		4 4A	-----	-----	A	2	51401-MCS-G01	7126980
5	COLLAR, SPRING.....	3 3A	-----	-----	AC	2	51402-MCS-G01	7126998
		4 4A	-----	-----	A	2	51402-MCS-G01	7126998
6	PLATE, SPRING JOINT.....	3 3A	-----	-----	AC	2	51403-MBR-003	7127004
		4 4A	-----	-----	A	2	51403-MBR-003	7127004
7	PIPE, FR. FORK.....	3	-----	-----	AC	2	51410-MCS-G01	7127012
		3A	-----	3M100795	AC	2	51410-MCS-G01	7127012
	PIPE, FR. FORK.....	4 4A	-----	-----	A	2	51410-MCS-G02	7547805
		3A	3M100796	-----	AC	2	51410-MCS-G02	7547805
8	RING, BACK-UP.....	3 3A	-----	-----	AC	2	51412-KZ3-003	3009669

FRONT FORK

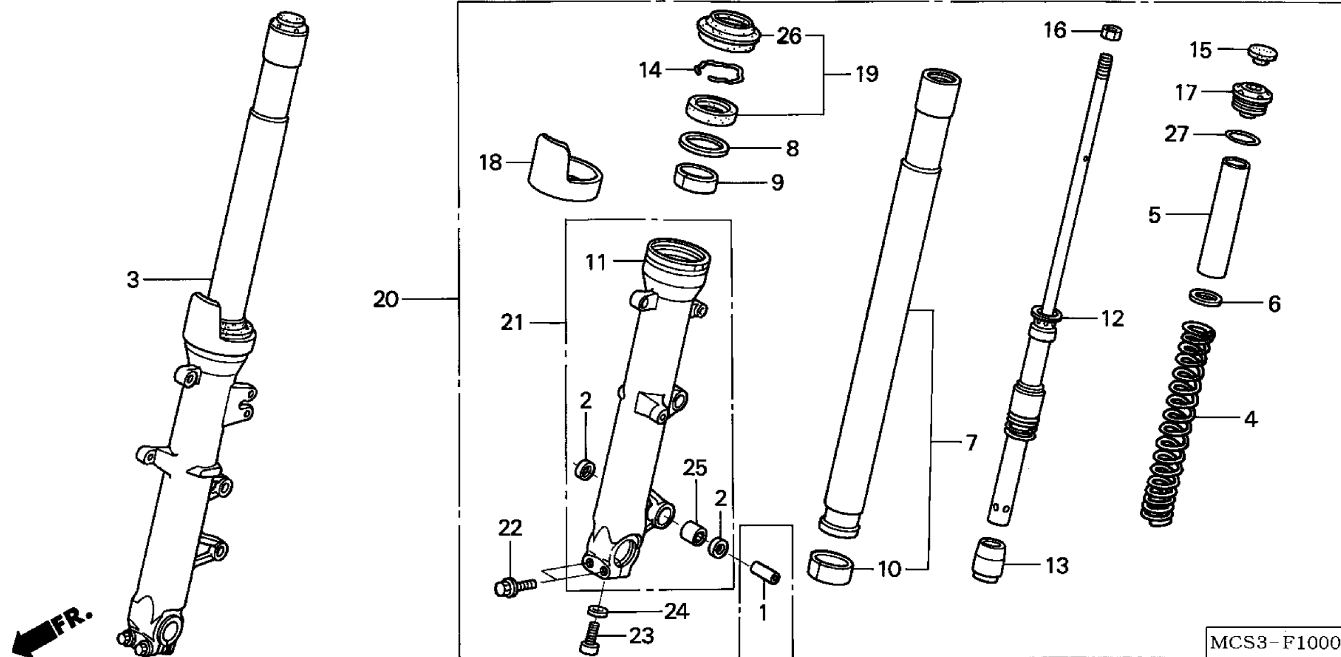
3 =ST1300'03
 3A=ST1300A'03
 4 =ST1300'04
 4A=ST1300A'04

F-10

 Frame
 Serial Number

Ref	Description	Model	From	To	AREA	QTY	Part Number	H/C
8	RING, BACK-UP.....	4 4A	-----	-----	A	2	51412-KZ3-003	3009669
9	BUSH, GUIDE	3 3A	-----	-----	AC	2	51414-MCH-003	6703094
		4 4A	-----	-----	A	2	51414-MCH-003	6703094
10	BUSH, SLIDER.....	3 3A	-----	-----	AC	2	51415-MCS-G01	7127020
		4 4A	-----	-----	A	2	51415-MCS-G01	7127020
11	CASE, R. (LOWER)	3 3A	-----	-----	AC	1	51420-MCS-G01	7127038
		4 4A	-----	-----	A	1	51420-MCS-G01	7127038
12	DAMPER, FR.....	3	-----	-----	AC	2	51430-MCS-G01	7127046
		3A	-----	3M100795	AC	2	51430-MCS-G01	7127046
	DAMPER, FR.....	4 4A	-----	-----	A	2	51430-MCS-G02	7547813
		3A	3M100796	-----	AC	2	51430-MCS-G02	7547813
13	PIECE, OIL LOCK (SHOWA)	3	-----	-----	AC	2	51432-MS2-003	3375672
		3A	-----	3M100795	AC	2	51432-MS2-003	3375672
	PIECE, OIL LOCK	4 4A	-----	-----	A	2	51432-MCS-G01	7547821
		3A	3M100796	-----	AC	2	51432-MCS-G01	7547821
14	RING, OIL SEAL STOPPER.....	3 3A	-----	-----	AC	2	51447-KZ3-003	3009743
		4 4A	-----	-----	A	2	51447-KZ3-003	3009743
15	CAP, FORK PIPE (SHOWA)	3 3A	-----	-----	AC	2	51449-MN5-003	2808384
		4 4A	-----	-----	A	2	51449-MN5-003	2808384
16	NUT, HEX. (10MM).....	3 3A	-----	-----	AC	2	51451-MAJ-G41	5023437
		4 4A	-----	-----	A	2	51451-MAJ-G41	5023437
17	BOLT, FR. FORK	3 3A	-----	-----	AC	2	51454-MCS-G01	7127053
		4 4A	-----	-----	A	2	51454-MCS-G01	7127053
18	PROTECTOR, FORK PIPE	3 3A	-----	-----	AC	2	51460-MCS-G01	7127061
		4 4A	-----	-----	A	2	51460-MCS-G01	7127061
19	SEAL SET, FR. FORK	3 3A	-----	-----	AC	2	51490-MCA-003	6538607
		4 4A	-----	-----	A	2	51490-MCA-003	6538607
20	FORK ASSY., L. FR.	3	-----	3M100005	AC	1	51500-MCS-G01	7127079
		3A	-----	3M100007	AC	1	51500-MCS-G01	7127079
	FORK ASSY., L. FR.	3	-----	-----	AC	1	51500-MCS-G02	7217250
		3A	-----	3M100795	AC	1	51500-MCS-G02	7217250
	FORK ASSY., L. FR.	4 4A	-----	-----	A	1	51500-MCS-G03	7547839
		3A	3M100796	-----	AC	1	51500-MCS-G03	7547839
21	CASE, L. (LOWER)	3 3A	-----	-----	AC	1	51520-MCS-G01	7127087
		4 4A	-----	-----	A	1	51520-MCS-G01	7127087
22	BOLT, SOCKET (8X45)	3	3M100006	-----	AC	4	90103-MT7-000	4056693
		4 4A	-----	-----	A	4	90103-MT7-000	4056693
		3A	3M100008	-----	AC	4	90103-MT7-000	4056693
	BOLT, FLANGE (8X45)	3	-----	3M100005	AC	4	90109-MR7-000	3044211
		3A	-----	3M100007	AC	4	90109-MR7-000	3044211

FRONT FORK



MCS3F1000

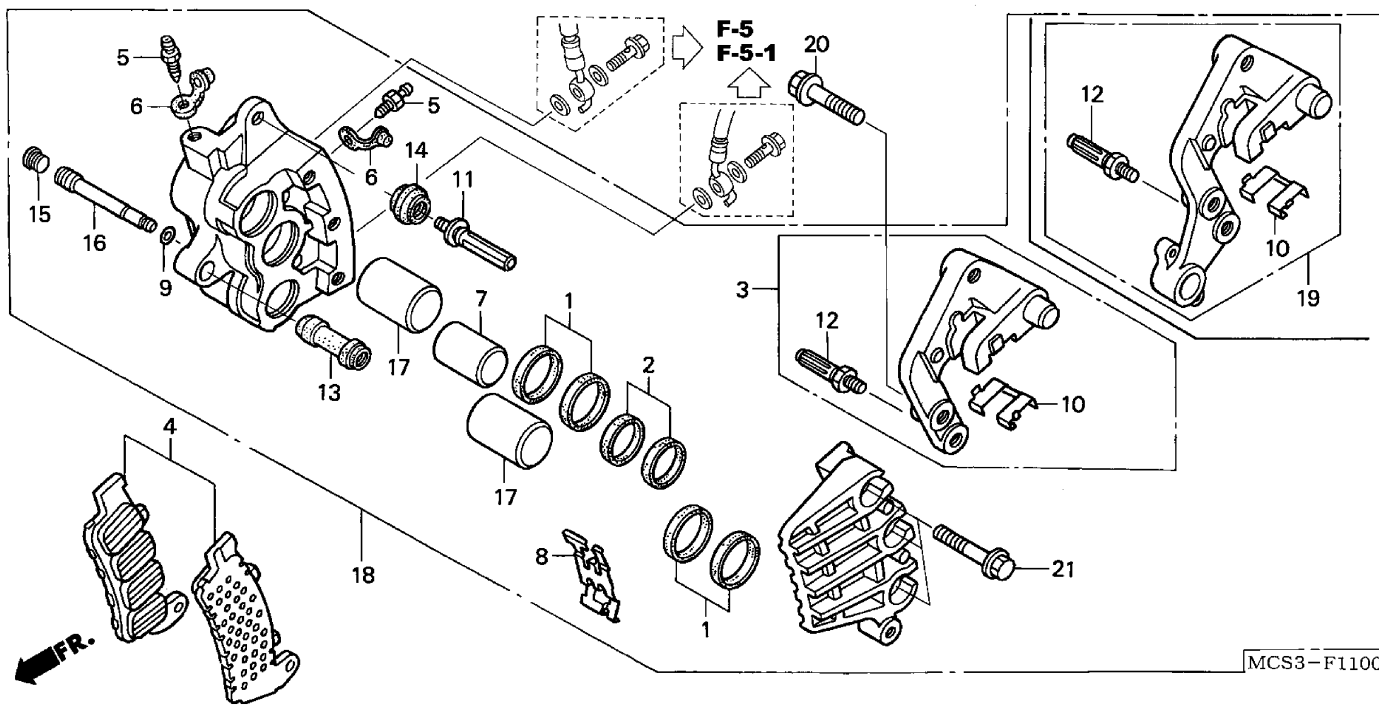
3 =ST1300'03
 3A=ST1300A'03
 4 =ST1300'04
 4A=ST1300A'04

F-10

 Frame
 Serial Number

Ref	Description	Model	From	To	AREA	QTY	Part Number	H/C
23	BOLT, SOCKET (8MM) (SHOWA)	3	-----	AC	2	90116-383-721	0750919	
		3A	----- 3M100795	AC	2	90116-383-721	0750919	
	BOLT, SOCKET (8MM)	4 4A	-----	A	2	90117-MCS-G01	7547847	
		3A	3M100796 -----	AC	2	90117-MCS-G01	7547847	
24	WASHER, SPECIAL (8MM)	3 3A	-----	AC	2	90544-283-000	0259457	
		4 4A	-----	A	2	90544-283-000	0259457	
25	BEARING, NEEDLE (14X20X20)	3 3A	-----	AC	1	91051-MCW-D01	6983001	
		4 4A	-----	A	1	91051-MCW-D01	6983001	
26	DUST SEAL	3 3A	-----	AC	2	91254-MCA-003	6652697	
		4 4A	-----	A	2	91254-MCA-003	6652697	
27	O-RING (37.2X2.4) (SHOWA)	3 3A	-----	AC	2	91356-MW0-003	4046785	
		4 4A	-----	A	2	91356-MW0-003	4046785	

R. FRONT BRAKE CALIPER



MCS3-F1100

MCS3F1100

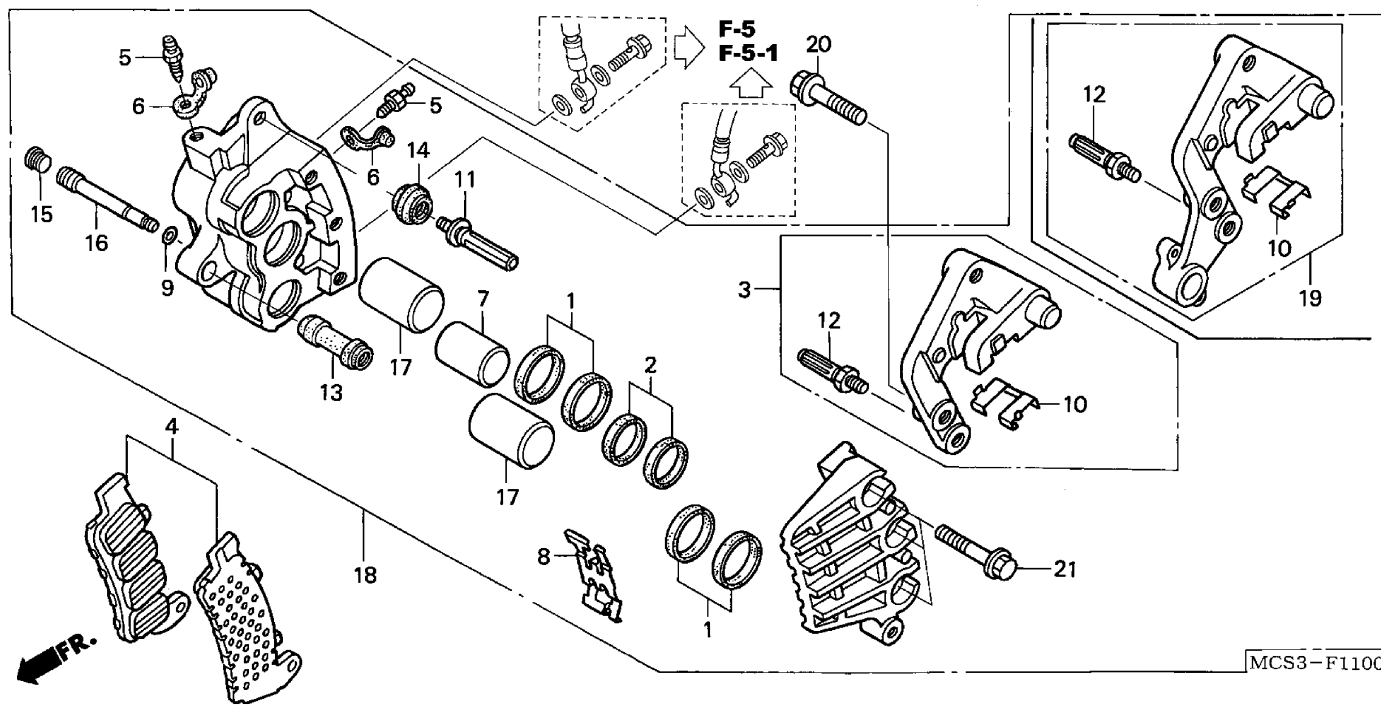
3 =ST1300'03
 3A=ST1300A'03
 4 =ST1300'04
 4A=ST1300A'04

F-11

 Frame
 Serial Number

Ref	Description	Model	From	To	AREA	QTY	Part Number	H/C
1	SEAL SET, PISTON	3 3A	-----	-----	AC	2	06431-MA3-405	4124277
		4 4A	-----	-----	A	2	06431-MA3-405	4124277
2	SEAL SET, PISTON	3 3A	-----	-----	AC	1	06451-MZ2-405	4179362
		4 4A	-----	-----	A	1	06451-MZ2-405	4179362
3	BRACKET SUB-ASSY., R. FR.	3	-----	-----	AC	1	06453-MBG-405	5738521
		4	-----	-----	A	1	06453-MBG-405	5738521
4	PAD SET, FR.....	3 3A	-----	-----	AC	1	06455-MCS-G01	7122609
		4 4A	-----	-----	A	1	06455-MCS-G01	7122609
5	SCREW, BLEEDER	3 3A	-----	-----	AC	2	43352-568-003	0505735
		4 4A	-----	-----	A	2	43352-568-003	0505735
6	CAP, BLEEDER	3 3A	-----	-----	AC	2	43353-461-771	0954230
		4 4A	-----	-----	A	2	43353-461-771	0954230
7	PISTON (22X27).....	3 3A	-----	-----	AC	1	45107-MAJ-G41	4979902
		4 4A	-----	-----	A	1	45107-MAJ-G41	4979902
8	SPRING, PAD.....	3 3A	-----	-----	AC	1	45108-MZ2-016	5687512
		4 4A	-----	-----	A	1	45108-MZ2-016	5687512
9	O-RING (2.5X1.5).....	3 3A	-----	-----	AC	1	45111-MAJ-G41	4979928
		4 4A	-----	-----	A	1	45111-MAJ-G41	4979928
10	RETAINER, BRACKET.....	3 3A	-----	-----	AC	1	45112-MZ2-006	4181145
		4 4A	-----	-----	A	1	45112-MZ2-006	4181145
11	BOLT A, PIN (NISSIN)	3 3A	-----	-----	AC	1	45131-ML7-921	2918712

R. FRONT BRAKE CALIPER



MCS3F1100

3 =ST1300'03
 3A=ST1300A'03
 4 =ST1300'04
 4A=ST1300A'04

F-11

 Frame
 Serial Number

Ref	Description	Model	From	To	AREA	QTY	Part Number	H/C
11	BOLT A, PIN (NISSIN)	4 4A	-----	-----	A	1	45131-ML7-921	2918712
12	PIN, BOLT	3 3A	-----	-----	AC	1	45131-166-016	1046267
		4 4A	-----	-----	A	1	45131-166-016	1046267
13	BUSH, PIN	3 3A	-----	-----	AC	1	45132-166-016	1046275
		4 4A	-----	-----	A	1	45132-166-016	1046275
14	BOOT B	3 3A	-----	-----	AC	1	45133-MA3-006	1012012
		4 4A	-----	-----	A	1	45133-MA3-006	1012012
15	PLUG, PIN	3 3A	-----	-----	AC	1	45203-MCC-006	6334387
		4 4A	-----	-----	A	1	45203-MCC-006	6334387
16	PIN, HANGER	3 3A	-----	-----	AC	1	45215-MAJ-G41	4980074
		4 4A	-----	-----	A	1	45215-MAJ-G41	4980074
17	PISTON B (27X35)	3 3A	-----	-----	AC	2	45218-MAJ-G41	4980090
		4 4A	-----	-----	A	2	45218-MAJ-G41	4980090
18	CALIPER SUB-ASSY., R. FR.	3	-----	-----	AC	1	45250-MCS-611	7126642
		4	-----	-----	A	1	45250-MCS-611	7126642
	CALIPER SUB-ASSY., R. FR.	3A	-----	-----	AC	1	45250-MCS-G01	7126634
		4A	-----	-----	A	1	45250-MCS-G01	7126634
19	BRACKET SUB-ASSY., R. FR.	3A	-----	-----	AC	1	45290-MCW-D11	7015480
		4A	-----	-----	A	1	45290-MCW-D11	7015480
20	BOLT, FLANGE (8X32)	3 3A	-----	-----	AC	2	90131-KBV-003	4104519
		4 4A	-----	-----	A	2	90131-KBV-003	4104519

R. FRONT BRAKE CALIPER

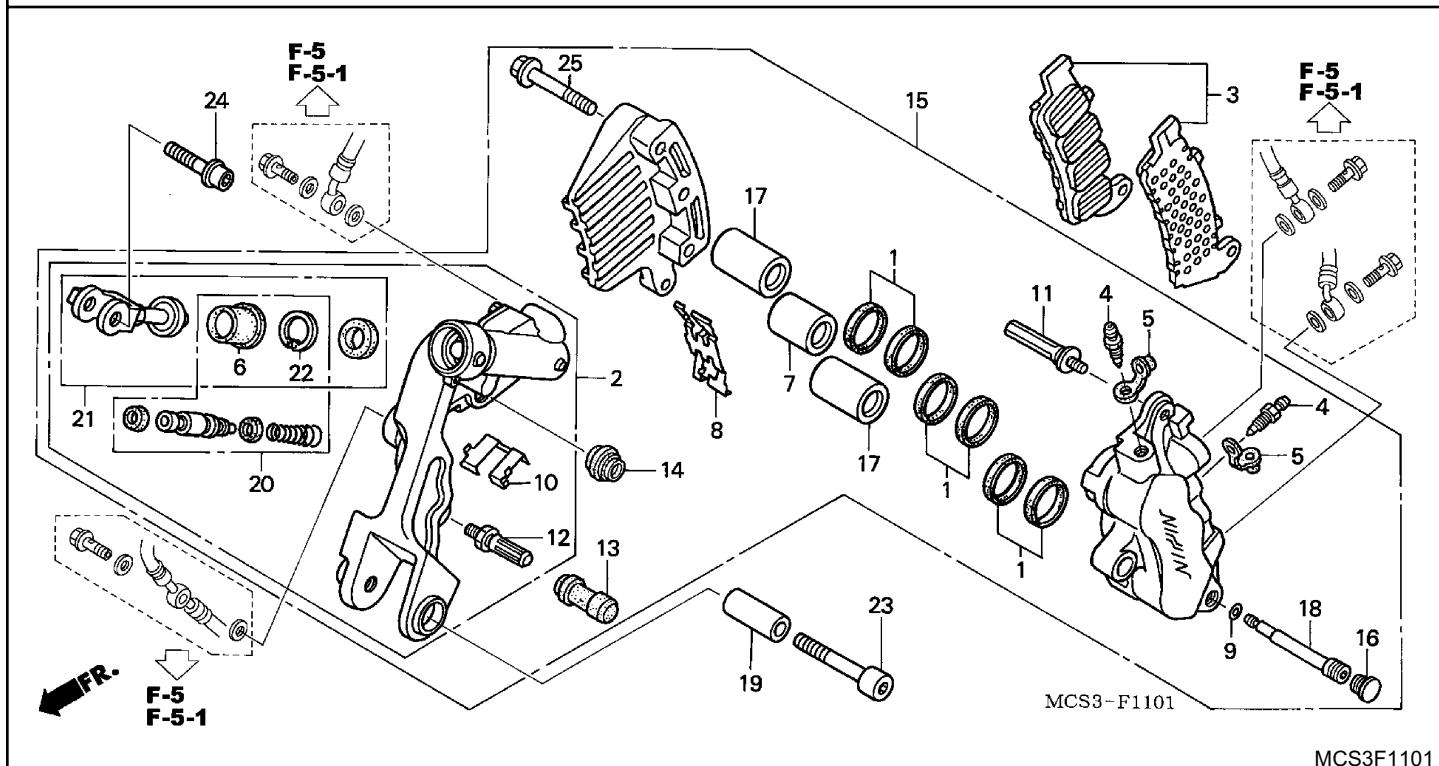
3 =ST1300'03
 3A=ST1300A'03
 4 =ST1300'04
 4A=ST1300A'04

F-11

Frame
Serial Number

Ref	Description	Model	From	To	AREA	QTY	Part Number	H/C
21	BOLT, FLANGE (8X45)	3 3A	-----	-----	AC	3	90135-MAJ-G41	4980744
		4 4A	-----	-----	A	3	90135-MAJ-G41	4980744

L. FRONT BRAKE CALIPER



MCS3F1101

3 =ST1300'03
 3A=ST1300A'03
 4 =ST1300'04
 4A=ST1300A'04

F-11-1

Frame
 Serial Number

Ref	Description	Model	From	To	AREA	QTY	Part Number	H/C
1	SEAL SET, PISTON	3 3A	-----	-----	AC	3	06451-MZ2-405	4179362
		4 4A	-----	-----	A	3	06451-MZ2-405	4179362
2	BRACKET SUB-ASSY., L. FR.....	3 3A	-----	-----	AC	1	06454-MCS-G01	7122591
		4 4A	-----	-----	A	1	06454-MCS-G01	7122591
3	PAD SET, FR.....	3 3A	-----	-----	AC	1	06455-MCS-G01	7122609
		4 4A	-----	-----	A	1	06455-MCS-G01	7122609
4	SCREW, BLEEDER	3 3A	-----	-----	AC	2	43352-568-003	0505735
		4 4A	-----	-----	A	2	43352-568-003	0505735
5	CAP, BLEEDER	3 3A	-----	-----	AC	2	43353-461-771	0954230
		4 4A	-----	-----	A	2	43353-461-771	0954230
6	BOOT	3 3A	-----	-----	AC	1	43504-MB2-006	1429455
		4 4A	-----	-----	A	1	43504-MB2-006	1429455
7	PISTON (22X27).....	3 3A	-----	-----	AC	1	45107-MAJ-G41	4979902
		4 4A	-----	-----	A	1	45107-MAJ-G41	4979902
8	SPRING, PAD.....	3 3A	-----	-----	AC	1	45108-MZ2-016	5687512
		4 4A	-----	-----	A	1	45108-MZ2-016	5687512
9	O-RING (2.5X1.5).....	3 3A	-----	-----	AC	1	45111-MAJ-G41	4979928
		4 4A	-----	-----	A	1	45111-MAJ-G41	4979928
10	RETAINER, BRACKET.....	3 3A	-----	-----	AC	1	45112-MZ2-006	4181145
		4 4A	-----	-----	A	1	45112-MZ2-006	4181145
11	BOLT A, PIN (NISSIN)	3 3A	-----	-----	AC	1	45131-ML7-921	2918712

L. FRONT BRAKE CALIPER

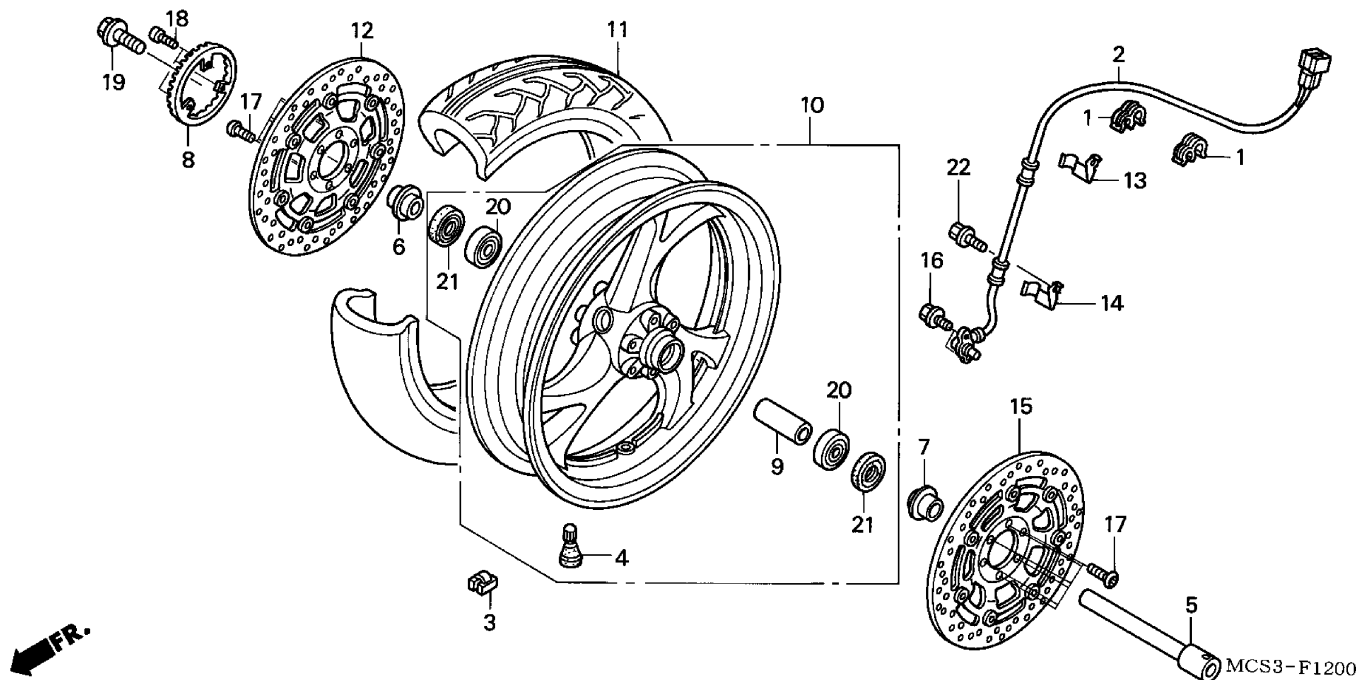
3 =ST1300'03
 3A=ST1300A'03
 4 =ST1300'04
 4A=ST1300A'04

F-11-1

Frame
Serial Number

Ref	Description	Model	From	To	AREA	QTY	Part Number	H/C
11	BOLT A, PIN (NISSIN)	4 4A	-----	-----	A	1	45131-ML7-921	2918712
12	PIN, BOLT	3 3A	-----	-----	AC	1	45131-166-016	1046267
		4 4A	-----	-----	A	1	45131-166-016	1046267
13	BUSH, PIN	3 3A	-----	-----	AC	1	45132-166-016	1046275
		4 4A	-----	-----	A	1	45132-166-016	1046275
14	BOOT B	3 3A	-----	-----	AC	1	45133-MA3-006	1012012
		4 4A	-----	-----	A	1	45133-MA3-006	1012012
15	CALIPER SUB-ASSY., L. FR.	3 3A	-----	-----	AC	1	45150-MCS-G01	7126550
		4 4A	-----	-----	A	1	45150-MCS-G01	7126550
16	PLUG, PIN	3 3A	-----	-----	AC	1	45203-MCC-006	6334387
		4 4A	-----	-----	A	1	45203-MCC-006	6334387
17	PISTON (22X35) (B).....	3 3A	-----	-----	AC	2	45207-MAJ-G41	4980058
		4 4A	-----	-----	A	2	45207-MAJ-G41	4980058
18	PIN, HANGER	3 3A	-----	-----	AC	1	45215-MAJ-G41	4980074
		4 4A	-----	-----	A	1	45215-MAJ-G41	4980074
19	COLLAR, L. CALIPER BRACKET	3 3A	-----	-----	AC	1	45442-MAT-000	5214945
		4 4A	-----	-----	A	1	45442-MAT-000	5214945
20	PISTON SET, SECOND MASTER CYLINDER	3 3A	-----	-----	AC	1	45620-MCS-G01	7126659
		4 4A	-----	-----	A	1	45620-MCS-G01	7126659
21	JOINT SET, BRAKE ROD	3 3A	-----	-----	AC	1	45630-MBG-016	5818364
		4 4A	-----	-----	A	1	45630-MBG-016	5818364
22	CIRCLIP, MASTER CYLINDER	3 3A	-----	-----	AC	1	46182-500-013	0506139
		4 4A	-----	-----	A	1	46182-500-013	0506139
23	BOLT, SOCKET (8X45)	3 3A	-----	-----	AC	1	90132-MCC-000	7128796
		4 4A	-----	-----	A	1	90132-MCC-000	7128796
24	BOLT, FLANGE SOCKET (8X32)	3 3A	-----	-----	AC	1	90133-MAT-000	5216189
		4 4A	-----	-----	A	1	90133-MAT-000	5216189
25	BOLT, FLANGE (8X45)	3 3A	-----	-----	AC	3	90135-MAJ-G41	4980744
		4 4A	-----	-----	A	3	90135-MAJ-G41	4980744

FRONT WHEEL



MCS3F1200

3 =ST1300'03
 3A=ST1300A'03
 4 =ST1300'04
 4A=ST1300A'04

F-12

 Frame
 Serial Number

Ref	Description	Model	From	To	AREA	QTY	Part Number	H/C
1	CLAMP, PIPE	3A	-----	-----	AC	4	17368-KV7-671	2507630
		4A	-----	-----	A	4	17368-KV7-671	2507630
2	SENSOR, FR. WHEEL SPEED	3A	-----	-----	AC	1	38520-MCS-G01	7125800
		4A	-----	-----	A	1	38520-MCS-G01	7125800
3	WEIGHT, BALANCE (10G)	3 3A	-----	-----	AC	AR	42704-MB0-000	1272319
		4 4A	-----	-----	A	AR	42704-MB0-000	1272319
	WEIGHT, BALANCE (20G)	3 3A	-----	-----	AC	AR	42705-MB0-000	1247881
		4 4A	-----	-----	A	AR	42705-MB0-000	1247881
	WEIGHT, BALANCE (30G)	3 3A	-----	-----	AC	AR	42706-MB0-000	1247899
		4 4A	-----	-----	A	AR	42706-MB0-000	1247899
4	VALVE, RIM (BS)	3 3A	-----	-----	AC	1	42753-ML7-003	2378446
		4 4A	-----	-----	A	1	42753-ML7-003	2378446
	VALVE, RIM (DUNLOP)	3 3A	-----	-----	AC	1	42753-ML7-004	2378453
		4 4A	-----	-----	A	1	42753-ML7-004	2378453
5	AXLE, FR. WHEEL.....	3	-----	3M100005	AC	1	44301-MCS-G00	7126386
		3A	-----	3M100007	AC	1	44301-MCS-G00	7126386
	AXLE, FR. WHEEL.....	3 3A	-----	-----	AC	1	44301-MCS-G01	7217185
		4 4A	-----	-----	A	1	44301-MCS-G01	7217185
6	COLLAR, R. FR. WHEEL SIDE	3 3A	-----	-----	AC	1	44311-MCS-G00	7126394
		4 4A	-----	-----	A	1	44311-MCS-G00	7126394
7	COLLAR, L. FR. WHEEL SIDE	3 3A	-----	-----	AC	1	44312-MCS-G00	7126402

FRONT WHEEL

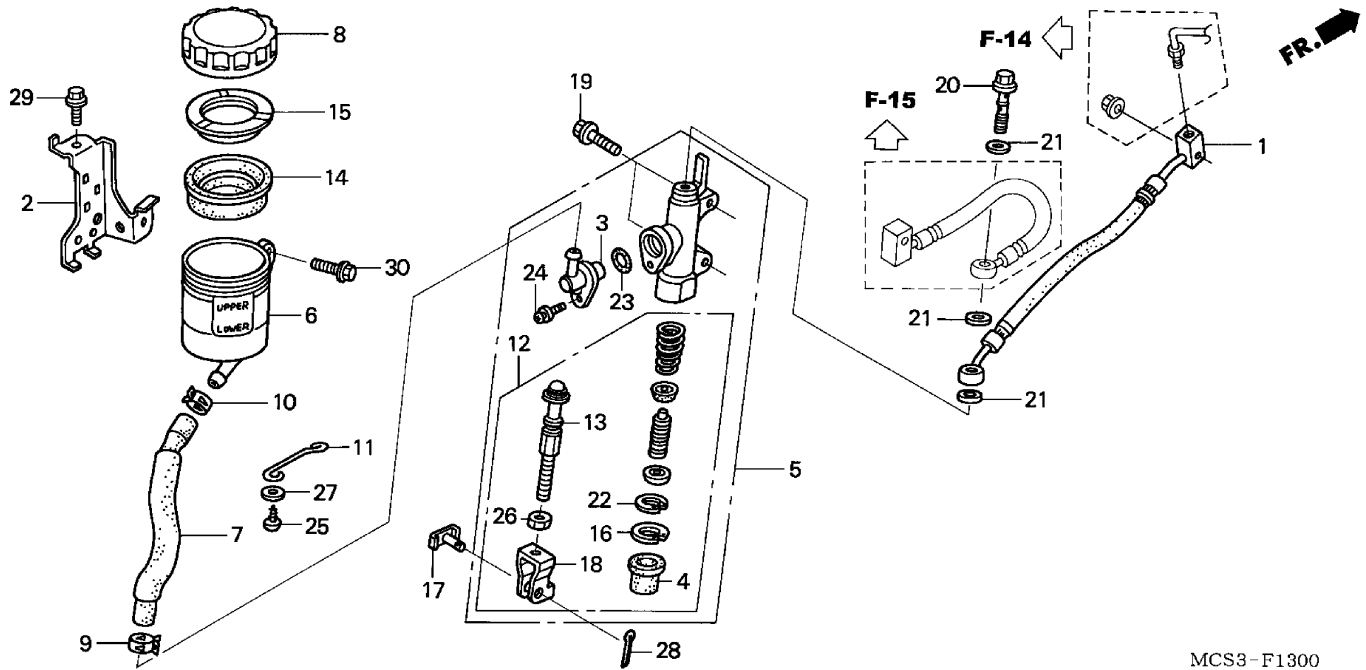
3 =ST1300'03
 3A=ST1300A'03
 4 =ST1300'04
 4A=ST1300A'04

F-12

Frame
Serial Number

Ref	Description	Model	From	To	AREA	QTY	Part Number	H/C
7	COLLAR, L. FR. WHEEL SIDE	4 4A	-----	-----	A	1	44312-MCS-G00	7126402
8	RING, FR. PULSER	3A	-----	-----	AC	1	44515-MCS-G01	7126410
		4A	-----	-----	A	1	44515-MCS-G01	7126410
9	COLLAR, FR. AXLE DISTANCE	3 3A	-----	-----	AC	1	44620-MCS-G00	7126428
		4 4A	-----	-----	A	1	44620-MCS-G00	7126428
10	WHEEL SUB-ASSY., FR.....	3	-----	-----	AC	1	44650-MCS-610	7126451
	WHEEL SUB-ASSY., FR.....	3A	-----	-----	AC	1	44650-MCS-G00	7126444
	WHEEL SUB-ASSY., FR.....	4	-----	-----	A	1	44650-MCS-940	7679210
	WHEEL SUB-ASSY., FR.....	4A	-----	-----	A	1	44650-MCS-760	7679202
11	TIRE, FR. (120/70ZR18M/C) (BS)	3 3A	-----	-----	AC	1	44711-MCS-G01	7126469
		4 4A	-----	-----	A	1	44711-MCS-G01	7126469
	TIRE, FR. (120/70ZR18M/C) (59W) (DUNLOP)	3 3A	-----	-----	AC	1	44711-MCS-G02	7313901
		4 4A	-----	-----	A	1	44711-MCS-G02	7313901
12	DISK, R. FR. BRAKE	3 3A	-----	-----	AC	1	45120-MCS-G01	7126477
		4 4A	-----	-----	A	1	45120-MCS-G01	7126477
13	CLAMP	3A	-----	-----	AC	1	45158-MCP-900	7126584
		4A	-----	-----	A	1	45158-MCP-900	7126584
14	CLAMP, SPEED SENSOR CORD	3A	-----	-----	AC	1	45161-MCW-D10	7015415
		4A	-----	-----	A	1	45161-MCW-D10	7015415
15	DISK, L. FR. BRAKE	3 3A	-----	-----	AC	1	45220-MCS-G01	7126626
		4 4A	-----	-----	A	1	45220-MCS-G01	7126626
16	BOLT, FLANGE (6X14)	3A	-----	-----	AC	2	96001-06014-00	2154672
		4A	-----	-----	A	2	96001-06014-00	2154672
17	BOLT, DISK (6X17)	3 3A	-----	-----	AC	12	90106-MT3-003	3487774
		4 4A	-----	-----	A	12	90106-MT3-003	3487774
18	BOLT, TORX (5X10).....	3A	-----	-----	AC	3	90131-KPB-751	6621841
		4A	-----	-----	A	3	90131-KPB-751	6621841
19	BOLT, FR. AXLE	3 3A	-----	-----	AC	1	90305-MCJ-000	6397863
		4 4A	-----	-----	A	1	90305-MCJ-000	6397863
20	BEARING, RADIAL BALL (6205UU)	3 3A	-----	-----	AC	2	91053-MCS-G01	7129018
		4 4A	-----	-----	A	2	91053-MCS-G01	7129018
21	DUST SEAL (34X52X10)	3 3A	-----	-----	AC	2	91252-MCS-G01	7129042
		4 4A	-----	-----	A	2	91252-MCS-G01	7129042
22	BOLT, FLANGE (6X10)	3A	-----	-----	AC	1	96001-06010-07	2154664
		4A	-----	-----	A	1	96001-06010-07	2154664

RR. BRAKE MASTER CYLINDER (ST1300)



MCS3-F1300

MCS3F1300

3 =ST1300'03
 3A=ST1300A'03
 4 =ST1300'04
 4A=ST1300A'04

F-13

 Frame
 Serial Number

Ref	Description	Model	From	To	AREA	QTY	Part Number	H/C
1	HOSE A, SUB-BRAKE	3	-----	-----	AC	1	43320-MCS-G01	7126139
		4	-----	-----	A	1	43320-MCS-G01	7126139
2	STAY, OIL CAP	3	-----	-----	AC	1	43415-MCS-G00	7126311
		4	-----	-----	A	1	43415-MCS-G00	7126311
3	CONNECTOR (NISSIN)	3	-----	-----	AC	1	43503-MR7-006	3449246
		4	-----	-----	A	1	43503-MR7-006	3449246
4	BOOT	3	-----	-----	AC	1	43504-MB2-006	1429455
		4	-----	-----	A	1	43504-MB2-006	1429455
5	MASTER CYLINDER SUB-ASSY., RR.	3	-----	-----	AC	1	43510-MCS-G01	7126329
		4	-----	-----	A	1	43510-MCS-G01	7126329
6	CUP, MASTER CYLINDER OIL	3	-----	-----	AC	1	43511-MA6-006	1544519
		4	-----	-----	A	1	43511-MA6-006	1544519
7	HOSE, RR. MASTER CYLINDER	3	-----	-----	AC	1	43512-MCS-G01	7126337
		4	-----	-----	A	1	43512-MCS-G01	7126337
8	CAP, OIL CUP	3	-----	-----	AC	1	43513-MY1-006	4181053
		4	-----	-----	A	1	43513-MY1-006	4181053
9	CLAMP, MASTER CYLINDER OIL HOSE ..	3	-----	-----	AC	1	43514-KS6-701	2465318
		4	-----	-----	A	1	43514-KS6-701	2465318
10	CLAMP, MASTER CYLINDER OIL HOSE ..	3	-----	-----	AC	1	43514-MN9-006	4198594
		4	-----	-----	A	1	43514-MN9-006	4198594
11	GUIDE, RR. BRAKE HOSE	3	-----	-----	AC	1	43515-MCS-610	7126345

RR. BRAKE MASTER CYLINDER (ST1300)

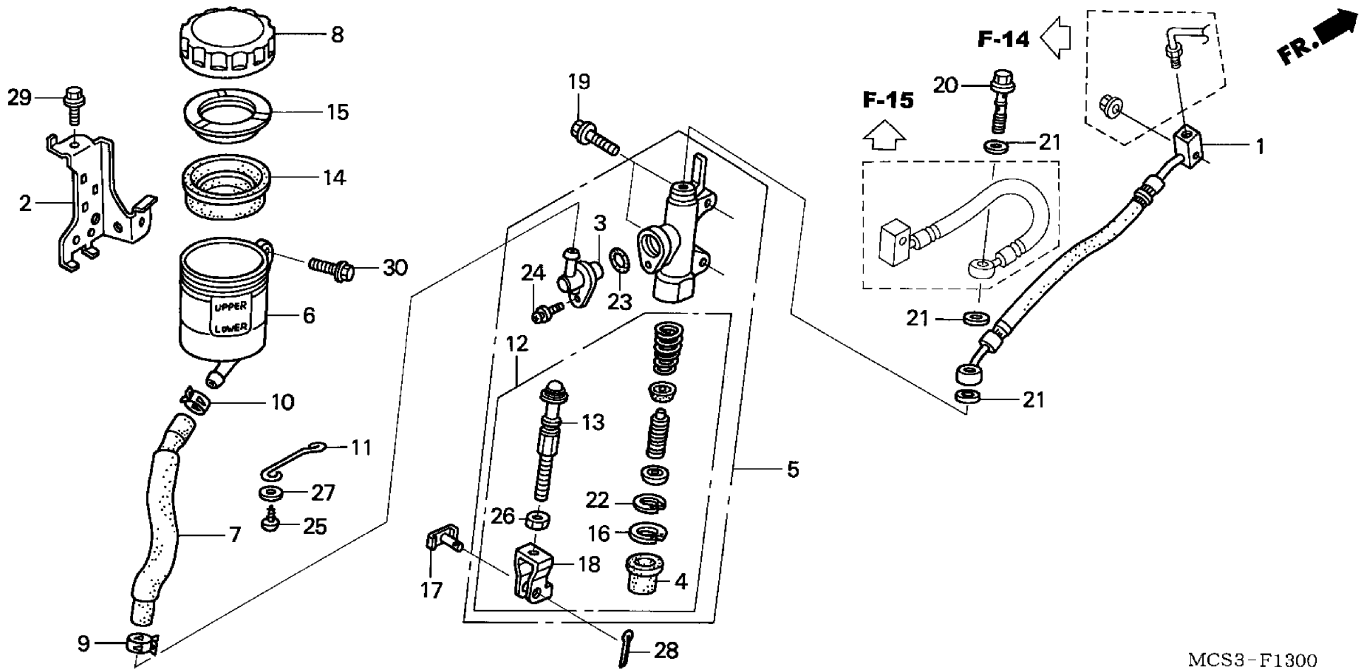
3 =ST1300'03
 3A=ST1300A'03
 4 =ST1300'04
 4A=ST1300A'04

F-13

Frame
Serial Number

Ref	Description	Model	From	To	AREA	QTY	Part Number	H/C
11	GUIDE, RR. BRAKE HOSE	4	-----	-----	A	1	43515-MCS-610	7126345
12	PISTON SET, RR. MASTER CYLINDER....	3	-----	-----	AC	1	43520-MCS-G01	7126352
		4	-----	-----	A	1	43520-MCS-G01	7126352
13	ROD, PUSH	3	-----	-----	AC	1	43530-MCS-G01	7126360
		4	-----	-----	A	1	43530-MCS-G01	7126360
14	DIAPHRAGM	3	-----	-----	AC	1	45520-300-000	0194480
		4	-----	-----	A	1	45520-300-000	0194480
15	PLATE, DIAPHRAGM.....	3	-----	-----	AC	1	45521-MJ6-006	1764968
		4	-----	-----	A	1	45521-MJ6-006	1764968
16	CIRCLIP, MASTER CYLINDER	3	-----	-----	AC	1	46182-500-013	0506139
		4	-----	-----	A	1	46182-500-013	0506139
17	PIN, BRAKE ROD.....	3	-----	-----	AC	1	46503-MAL-000	4638698
		4	-----	-----	A	1	46503-MAL-000	4638698
18	JOINT, BRAKE ROD	3	-----	-----	AC	1	46504-MAL-601	4638706
		4	-----	-----	A	1	46504-MAL-601	4638706
19	BOLT, FLANGE (6X25)	3	-----	-----	AC	2	90131-124-000	7128788
		4	-----	-----	A	2	90131-124-000	7128788
20	BOLT, OIL (10X34).....	3	-----	-----	AC	1	90145-MR8-014	5646567
		4	-----	-----	A	1	90145-MR8-014	5646567
21	WASHER, OIL BOLT	3	-----	-----	AC	3	90545-300-000	0189902
		4	-----	-----	A	3	90545-300-000	0189902
22	CIRCLIP, PISTON	3	-----	-----	AC	1	90651-MBG-006	5742754
		4	-----	-----	A	1	90651-MBG-006	5742754
23	O-RING (14.8X2.4).....	3	-----	-----	AC	1	91212-422-006	0693481
		4	-----	-----	A	1	91212-422-006	0693481
24	SCREW-WASHER (4X12)	3	-----	-----	AC	1	93893-04012-07	1374008
		4	-----	-----	A	1	93893-04012-07	1374008
	SCREW-WASHER (4X12)	3	-----	-----	AC	1	93893-04012-17	1237353
		4	-----	-----	A	1	93893-04012-17	1237353
25	SCREW, TAPPING (5X12).....	3	-----	-----	AC	1	93903-25280	0563981
		4	-----	-----	A	1	93903-25280	0563981
26	NUT, HEX. (8MM).....	3	-----	-----	AC	1	94002-08000-0S	0156075
		4	-----	-----	A	1	94002-08000-0S	0156075
	NUT, HEX. (8MM).....	3	-----	-----	AC	1	94002-08080-0S	0522144
		4	-----	-----	A	1	94002-08080-0S	0522144
27	WASHER, PLAIN (5MM)	3	-----	-----	AC	1	94103-05700	0692491
		4	-----	-----	A	1	94103-05700	0692491
28	PIN, COTTER (2.0X15)	3	-----	-----	AC	1	94201-20150	0058347
		4	-----	-----	A	1	94201-20150	0058347
29	BOLT, FLANGE (6X10)	3	-----	-----	AC	1	95701-06010-08	2204709

RR. BRAKE MASTER CYLINDER (ST1300)



MCS3-F1300

MCS3F1300

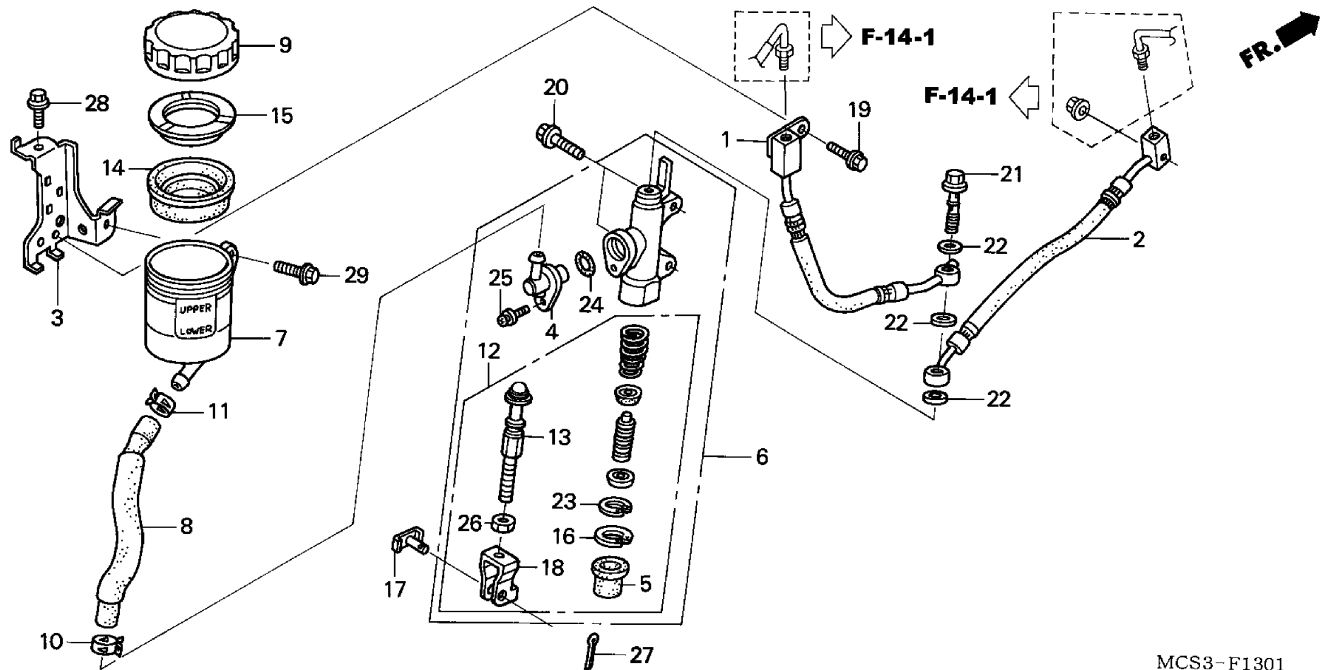
3 =ST1300'03
 3A=ST1300A'03
 4 =ST1300'04
 4A=ST1300A'04

F-13

Frame
 Serial Number

Ref	Description	Model	From	To	AREA	QTY	Part Number	H/C
29	BOLT, FLANGE (6X10)	4	-----	-----	A	1	95701-06010-08	2204709
30	BOLT, FLANGE (6X14)	3	-----	-----	AC	1	95701-06014-08	2374742
		4	-----	-----	A	1	95701-06014-08	2374742

RR. BRAKE MASTER CYLINDER (ST1300A)



MCS3-F1301

MCS3F1301

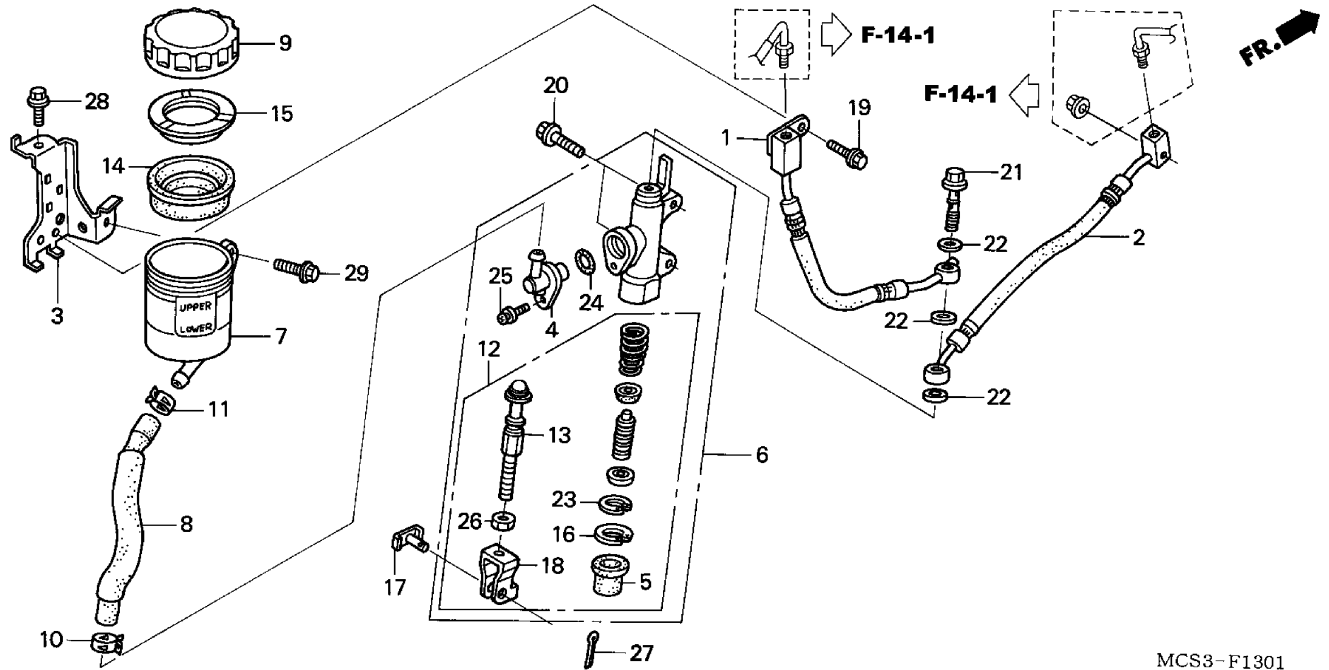
3 =ST1300'03
 3A=ST1300A'03
 4 =ST1300'04
 4A=ST1300A'04

F-13-1

Frame
 Serial Number

Ref	Description	Model	From	To	AREA	QTY	Part Number	H/C
1	HOSE A, RR. BRAKE.....	3A	-----	-----	AC	1	43310-MCS-G02	7126063
		4A	-----	-----	A	1	43310-MCS-G02	7126063
2	HOSE A, SUB-BRAKE.....	3A	-----	-----	AC	1	43320-MCS-G01	7126139
		4A	-----	-----	A	1	43320-MCS-G01	7126139
3	STAY, OIL CAP.....	3A	-----	-----	AC	1	43415-MCS-G00	7126311
		4A	-----	-----	A	1	43415-MCS-G00	7126311
4	CONNECTOR (NISSIN).....	3A	-----	-----	AC	1	43503-MR7-006	3449246
		4A	-----	-----	A	1	43503-MR7-006	3449246
5	BOOT.....	3A	-----	-----	AC	1	43504-MB2-006	1429455
		4A	-----	-----	A	1	43504-MB2-006	1429455
6	MASTER CYLINDER SUB-ASSY., RR.....	3A	-----	-----	AC	1	43510-MCS-G01	7126329
		4A	-----	-----	A	1	43510-MCS-G01	7126329
7	CUP, MASTER CYLINDER OIL.....	3A	-----	-----	AC	1	43511-MA6-006	1544519
		4A	-----	-----	A	1	43511-MA6-006	1544519
8	HOSE, RR. MASTER CYLINDER.....	3A	-----	-----	AC	1	43512-MCS-G01	7126337
		4A	-----	-----	A	1	43512-MCS-G01	7126337
9	CAP, OIL CUP.....	3A	-----	-----	AC	1	43513-MY1-006	4181053
		4A	-----	-----	A	1	43513-MY1-006	4181053
10	CLAMP, MASTER CYLINDER OIL HOSE..	3A	-----	-----	AC	1	43514-KS6-701	2465318
		4A	-----	-----	A	1	43514-KS6-701	2465318
11	CLAMP, MASTER CYLINDER OIL HOSE..	3A	-----	-----	AC	1	43514-MN9-006	4198594

RR. BRAKE MASTER CYLINDER (ST1300A)



MCS3-F1301

MCS3F1301

3 =ST1300'03
 3A=ST1300A'03
 4 =ST1300'04
 4A=ST1300A'04

F-13-1

Frame
 Serial Number

Ref	Description	Model	From	To	AREA	QTY	Part Number	H/C
11	CLAMP, MASTER CYLINDER OIL HOSE..	4A	-----	-----	A	1	43514-MN9-006	4198594
12	PISTON SET, RR. MASTER CYLINDER....	3A	-----	-----	AC	1	43520-MCS-G01	7126352
		4A	-----	-----	A	1	43520-MCS-G01	7126352
13	ROD, PUSH	3A	-----	-----	AC	1	43530-MCS-G01	7126360
		4A	-----	-----	A	1	43530-MCS-G01	7126360
14	DIAPHRAGM	3A	-----	-----	AC	1	45520-300-000	0194480
		4A	-----	-----	A	1	45520-300-000	0194480
15	PLATE, DIAPHRAGM.....	3A	-----	-----	AC	1	45521-MJ6-006	1764968
		4A	-----	-----	A	1	45521-MJ6-006	1764968
16	CIRCLIP, MASTER CYLINDER	3A	-----	-----	AC	1	46182-500-013	0506139
		4A	-----	-----	A	1	46182-500-013	0506139
17	PIN, BRAKE ROD.....	3A	-----	-----	AC	1	46503-MAL-000	4638698
		4A	-----	-----	A	1	46503-MAL-000	4638698
18	JOINT, BRAKE ROD	3A	-----	-----	AC	1	46504-MAL-601	4638706
		4A	-----	-----	A	1	46504-MAL-601	4638706
19	BOLT, FLANGE (6X12)	3A	-----	-----	AC	1	90103-MCS-G00	7128622
		4A	-----	-----	A	1	90103-MCS-G00	7128622
20	BOLT, FLANGE (6X25)	3A	-----	-----	AC	2	90131-124-000	7128788
		4A	-----	-----	A	2	90131-124-000	7128788
21	BOLT, OIL (10X34).....	3A	-----	-----	AC	1	90145-MR8-014	5646567
		4A	-----	-----	A	1	90145-MR8-014	5646567

RR. BRAKE MASTER CYLINDER (ST1300A)

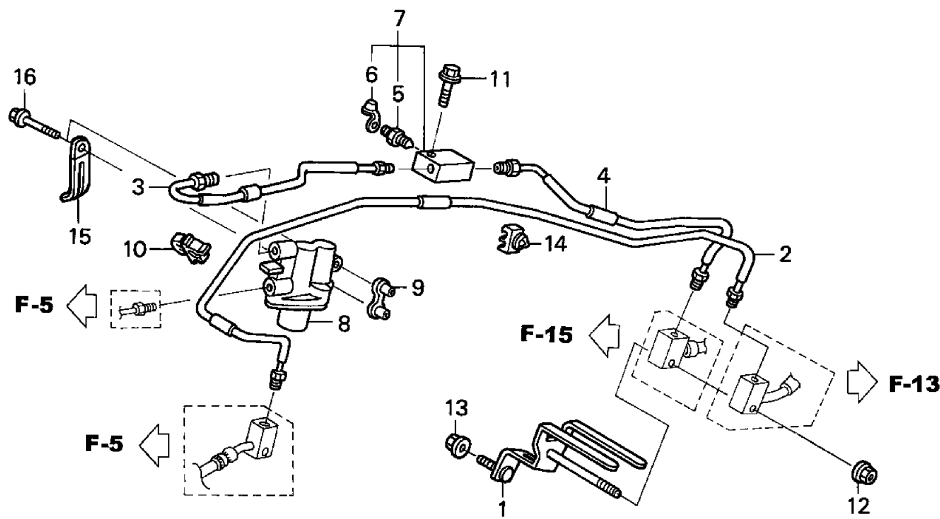
3 =ST1300'03
 3A=ST1300A'03
 4 =ST1300'04
 4A=ST1300A'04

F-13-1

Frame
Serial Number

Ref	Description	Model	From	To	AREA	QTY	Part Number	H/C
22	WASHER, OIL BOLT	3A	-----	-----	AC	3	90545-300-000	0189902
		4A	-----	-----	A	3	90545-300-000	0189902
23	CIRCLIP, PISTON	3A	-----	-----	AC	1	90651-MBG-006	5742754
		4A	-----	-----	A	1	90651-MBG-006	5742754
24	O-RING (14.8X2.4).....	3A	-----	-----	AC	1	91212-422-006	0693481
		4A	-----	-----	A	1	91212-422-006	0693481
25	SCREW-WASHER (4X12)	3A	-----	-----	AC	1	93893-04012-07	1374008
		4A	-----	-----	A	1	93893-04012-07	1374008
	SCREW-WASHER (4X12)	3A	-----	-----	AC	1	93893-04012-17	1237353
		4A	-----	-----	A	1	93893-04012-17	1237353
26	NUT, HEX. (8MM).....	3A	-----	-----	AC	1	94002-08000-0S	0156075
		4A	-----	-----	A	1	94002-08000-0S	0156075
	NUT, HEX. (8MM).....	3A	-----	-----	AC	1	94002-08080-0S	0522144
		4A	-----	-----	A	1	94002-08080-0S	0522144
27	PIN, COTTER (2.0X15)	3A	-----	-----	AC	1	94201-20150	0058347
		4A	-----	-----	A	1	94201-20150	0058347
28	BOLT, FLANGE (6X10)	3A	-----	-----	AC	1	95701-06010-08	2204709
		4A	-----	-----	A	1	95701-06010-08	2204709
29	BOLT, FLANGE (6X14)	3A	-----	-----	AC	1	95701-06014-08	2374742
		4A	-----	-----	A	1	95701-06014-08	2374742

PROPORTIONING CONTROL VALVE (ST1300)



MCS3-F1400

MCS3F1400

3 =ST1300'03
 3A=ST1300A'03
 4 =ST1300'04
 4A=ST1300A'04

F-14

 Frame
 Serial Number

Ref	Description	Model	From	To	AREA	QTY	Part Number	H/C
1	STAY, RR. BRAKE HOSE	3	-----	-----	AC	1	43157-MCS-610	7126048
		4	-----	-----	A	1	43157-MCS-610	7126048
2	PIPE A, SUB-BRAKE	3	-----	-----	AC	1	43321-MCS-610	7126154
		4	-----	-----	A	1	43321-MCS-610	7126154
3	PIPE B, SECOND BRAKE MASTER CYLINDER	3	-----	-----	AC	1	43332-MCS-G00	7126238
		4	-----	-----	A	1	43332-MCS-G00	7126238
4	PIPE C, SECOND BRAKE MASTER CYLINDER	3	-----	-----	AC	1	43333-MCS-610	7126253
		4	-----	-----	A	1	43333-MCS-610	7126253
5	SCREW, BLEEDER	3	-----	-----	AC	1	43352-568-003	0505735
		4	-----	-----	A	1	43352-568-003	0505735
6	CAP, BLEEDER	3	-----	-----	AC	1	43353-461-771	0954230
		4	-----	-----	A	1	43353-461-771	0954230
7	JOINT ASSY., TWO-WAY BLEEDER	3	-----	-----	AC	1	45160-MCS-G00	7126600
		4	-----	-----	A	1	45160-MCS-G00	7126600
8	VALVE ASSY., PROPORTIONING CONTROL	3	-----	-----	AC	1	46200-MCS-G01	7126667
		4	-----	-----	A	1	46200-MCS-G01	7126667
9	STAY, PCV	3	-----	-----	AC	1	46210-MCS-G00	7126675
		4	-----	-----	A	1	46210-MCS-G00	7126675
10	CLIP C, BRAKE PIPE	3 3A	-----	-----	AC	1	50304-HE0-003	3059813

PROPORTIONING CONTROL VALVE (ST1300)

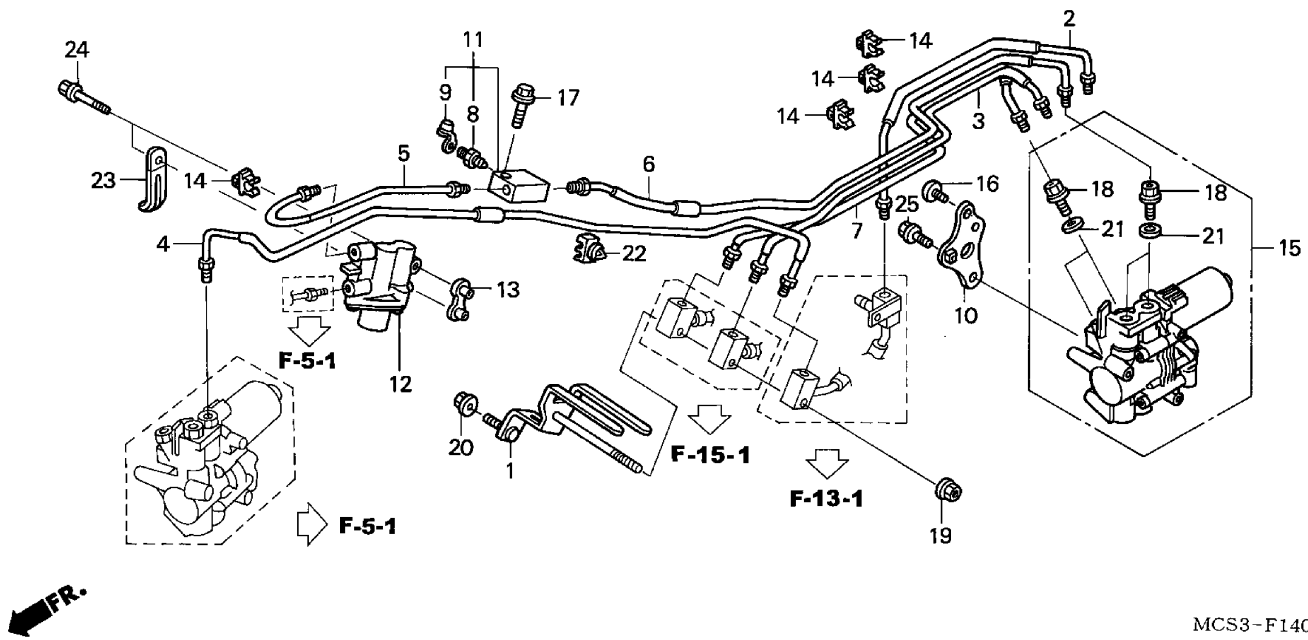
3 =ST1300'03
 3A=ST1300A'03
 4 =ST1300'04
 4A=ST1300A'04

F-14

Frame
Serial Number

Ref	Description	Model	From	To	AREA	QTY	Part Number	H/C
10	CLIP C, BRAKE PIPE.....	4	-----	-----	A	1	50304-HE0-003	3059813
11	BOLT, FLANGE (6X28)	3	-----	-----	AC	1	90114-MCS-G00	7128689
		4	-----	-----	A	1	90114-MCS-G00	7128689
12	NUT, U (6MM)	3	-----	-----	AC	1	90301-473-003	1187707
		4	-----	-----	A	1	90301-473-003	1187707
13	NUT, FLANGE (8MM).....	3	-----	-----	AC	1	90309-KF0-003	1420231
		4	-----	-----	A	1	90309-KF0-003	1420231
	NUT, FLANGE (8MM).....	3	-----	-----	AC	1	90309-428-731	1001197
		4	-----	-----	A	1	90309-428-731	1001197
14	CLAMP, BRAKE PIPE	3	-----	-----	AC	1	90651-MAT-000	5216346
		4	-----	-----	A	1	90651-MAT-000	5216346
15	CLIP, WIRE	3	-----	-----	AC	1	91406-166-000	1083211
		4	-----	-----	A	1	91406-166-000	1083211
16	BOLT, FLANGE (6X50)	3	-----	-----	AC	2	95801-06050-08	7129141
		4	-----	-----	A	2	95801-06050-08	7129141

PROPORTIONING CONTROL VALVE (ST1300A)



MCS3-F1401

MCS3F1401

3 =ST1300'03
 3A=ST1300A'03
 4 =ST1300'04
 4A=ST1300A'04

F-14-1

Frame
 Serial Number

Ref	Description	Model	From	To	AREA	QTY	Part Number	H/C
1	STAY, RR. BRAKE HOSE	3A	-----	-----	AC	1	43157-MCS-G01	7126030
		4A	-----	-----	A	1	43157-MCS-G01	7126030
2	PIPE A, RR. BRAKE.....	3A	-----	-----	AC	1	43311-MCS-G00	7126089
		4A	-----	-----	A	1	43311-MCS-G00	7126089
3	PIPE B, RR. BRAKE.....	3A	-----	-----	AC	1	43312-MCS-G00	7126097
		4A	-----	-----	A	1	43312-MCS-G00	7126097
4	PIPE A, SUB-BRAKE	3A	-----	-----	AC	1	43321-MCS-G01	7126147
		4A	-----	-----	A	1	43321-MCS-G01	7126147
5	PIPE B, SECOND BRAKE MASTER CYLINDER	3A	-----	-----	AC	1	43332-MCS-G00	7126238
		4A	-----	-----	A	1	43332-MCS-G00	7126238
6	PIPE C, SECOND BRAKE MASTER CYLINDER	3A	-----	-----	AC	1	43333-MCS-G00	7126246
		4A	-----	-----	A	1	43333-MCS-G00	7126246
7	PIPE D, SECOND BRAKE MASTER CYLINDER	3A	-----	-----	AC	1	43334-MCS-G00	7126261
		4A	-----	-----	A	1	43334-MCS-G00	7126261
8	SCREW, BLEEDER	3A	-----	-----	AC	1	43352-568-003	0505735
		4A	-----	-----	A	1	43352-568-003	0505735
9	CAP, BLEEDER	3A	-----	-----	AC	1	43353-461-771	0954230
		4A	-----	-----	A	1	43353-461-771	0954230
10	BRACKET, RR. ABS MODULATOR	3A	-----	-----	AC	1	43615-MCS-G00	7126378

PROPORTIONING CONTROL VALVE (ST1300A)

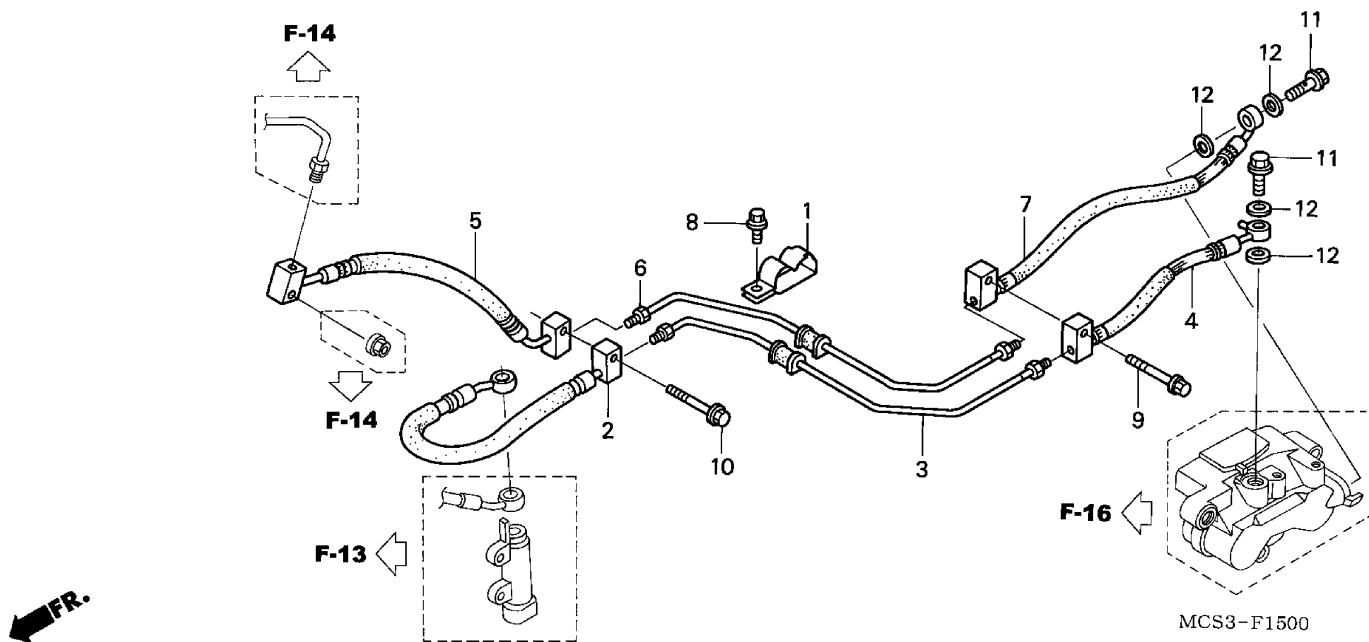
3 =ST1300'03
 3A=ST1300A'03
 4 =ST1300'04
 4A=ST1300A'04

F-14-1

Frame
Serial Number

Ref	Description	Model	From	To	AREA	QTY	Part Number	H/C
10	BRACKET, RR. ABS MODULATOR	4A	-----	-----	A	1	43615-MCS-G00	7126378
11	JOINT ASSY., TWO-WAY BLEEDER	3A	-----	-----	AC	1	45160-MCS-G00	7126600
		4A	-----	-----	A	1	45160-MCS-G00	7126600
12	VALVE ASSY., PROPORTIONING CONTROL	3A	-----	-----	AC	1	46200-MCS-G01	7126667
		4A	-----	-----	A	1	46200-MCS-G01	7126667
13	STAY, PCV	3A	-----	-----	AC	1	46210-MCS-G00	7126675
		4A	-----	-----	A	1	46210-MCS-G00	7126675
14	CLIP C, BRAKE PIPE	3A	-----	-----	AC	4	50304-HE0-003	3059813
		4A	-----	-----	A	4	50304-HE0-003	3059813
15	MODULATOR ASSY., ABS	3A	-----	-----	AC	1	57100-MCA-971	6620595
		4A	-----	-----	A	1	57100-MCA-971	6620595
16	SCREW, PAN (6X12)	3A	-----	-----	AC	2	90106-MAV-000	5391982
		4A	-----	-----	A	2	90106-MAV-000	5391982
17	BOLT, FLANGE (6X28)	3A	-----	-----	AC	1	90114-MCS-G00	7128689
		4A	-----	-----	A	1	90114-MCS-G00	7128689
18	BOLT, OIL (10X10.6)	3A	-----	-----	AC	4	90145-MCA-971	6621932
		4A	-----	-----	A	4	90145-MCA-971	6621932
19	NUT, U (6MM)	3A	-----	-----	AC	1	90301-473-003	1187707
		4A	-----	-----	A	1	90301-473-003	1187707
20	NUT, FLANGE (8MM)	3A	-----	-----	AC	1	90309-KF0-003	1420231
		4A	-----	-----	A	1	90309-KF0-003	1420231
	NUT, FLANGE (8MM)	3A	-----	-----	AC	1	90309-428-731	1001197
		4A	-----	-----	A	1	90309-428-731	1001197
21	WASHER, OIL BOLT	3A	-----	-----	AC	4	90545-300-000	0189902
		4A	-----	-----	A	4	90545-300-000	0189902
22	CLAMP, BRAKE PIPE	3A	-----	-----	AC	1	90651-MAT-000	5216346
		4A	-----	-----	A	1	90651-MAT-000	5216346
23	CLIP, WIRE	3A	-----	-----	AC	1	91406-166-000	1083211
		4A	-----	-----	A	1	91406-166-000	1083211
24	BOLT, FLANGE (6X50)	3A	-----	-----	AC	2	95801-06050-08	7129141
		4A	-----	-----	A	2	95801-06050-08	7129141
25	BOLT, FLANGE (6X12)	3A	-----	-----	AC	1	96001-06012-00	2105930
		4A	-----	-----	A	1	96001-06012-00	2105930

REAR BRAKE HOSE (ST1300)



MCS3F1500

3 =ST1300'03
 3A=ST1300A'03
 4 =ST1300'04
 4A=ST1300A'04

F-15

 Frame
 Serial Number

Ref	Description	Model	From	To	AREA	QTY	Part Number	H/C
1	CLAMP, RR. BRAKE PIPE.....	3	-----	-----	AC	1	43155-MCS-G00	7126022
		4	-----	-----	A	1	43155-MCS-G00	7126022
2	HOSE A, RR. BRAKE.....	3	-----	-----	AC	1	43310-MCS-611	7126071
		4	-----	-----	A	1	43310-MCS-611	7126071
3	PIPE C, RR. BRAKE.....	3	-----	-----	AC	1	43314-MCS-G00	7126113
		4	-----	-----	A	1	43314-MCS-G00	7126113
4	HOSE C, RR. BRAKE.....	3	-----	-----	AC	1	43315-MCS-G01	7126121
		4	-----	-----	A	1	43315-MCS-G01	7126121
5	HOSE B, SECOND BRAKE MASTER CYLINDER	3	-----	-----	AC	1	43335-MCS-G02	7126279
		4	-----	-----	A	1	43335-MCS-G02	7126279
6	PIPE E, SECOND BRAKE MASTER CYLINDER	3	-----	-----	AC	1	43336-MCS-G00	7126287
		4	-----	-----	A	1	43336-MCS-G00	7126287
7	HOSE C, SECOND BRAKE MASTER CYLINDER	3	-----	-----	AC	1	43337-MCS-G01	7126295
		4	-----	-----	A	1	43337-MCS-G01	7126295
8	BOLT, FLANGE (6X12)	3	-----	-----	AC	1	90103-MCS-G00	7128622
		4	-----	-----	A	1	90103-MCS-G00	7128622
9	BOLT, FLANGE (6X38)	3	-----	-----	AC	1	90106-MCS-G00	7128655
		4	-----	-----	A	1	90106-MCS-G00	7128655
10	BOLT, FLANGE (6X45)	3	-----	-----	AC	1	90111-MCS-G01	7128663

REAR BRAKE HOSE (ST1300)

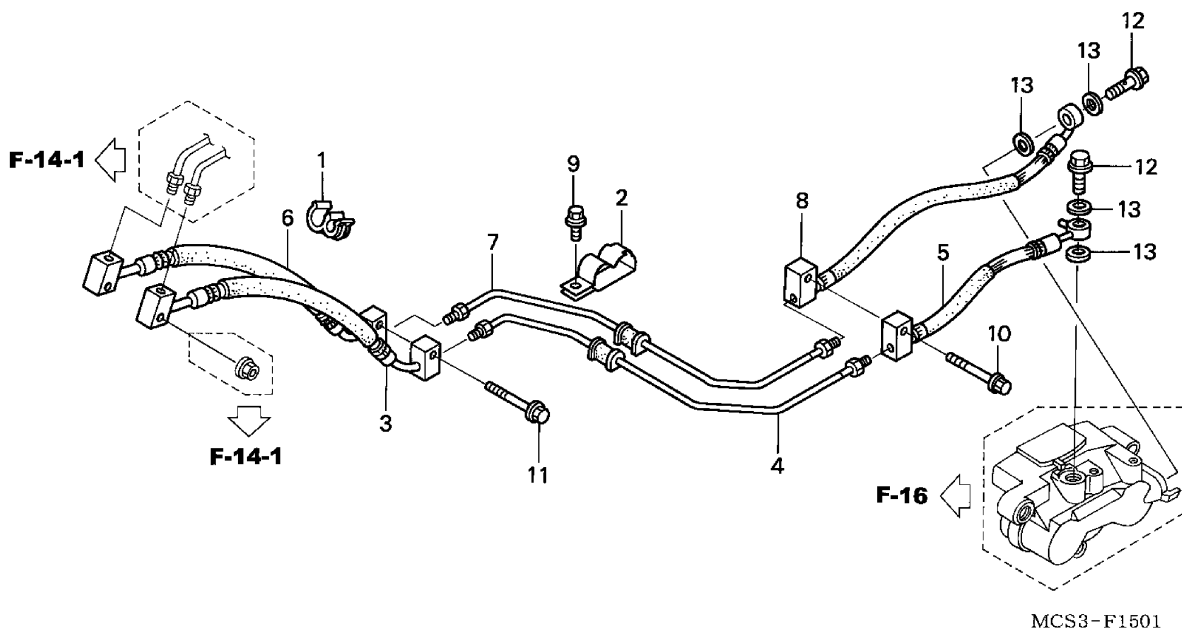
3 =ST1300'03
 3A=ST1300A'03
 4 =ST1300'04
 4A=ST1300A'04

F-15

Frame
Serial Number

Ref	Description	Model	From	To	AREA	QTY	Part Number	H/C
10	BOLT, FLANGE (6X45)	4	-----	-----	A	1	90111-MCS-G01	7128663
11	BOLT, OIL (10X22).....	3	-----	-----	AC	2	90145-MS9-612	5369418
		4	-----	-----	A	2	90145-MS9-612	5369418
12	WASHER, OIL BOLT	3	-----	-----	AC	4	90545-300-000	0189902
		4	-----	-----	A	4	90545-300-000	0189902

REAR BRAKE HOSE (ST1300A)



MCS3-F1501

MCS3F1501

3 =ST1300'03
 3A=ST1300A'03
 4 =ST1300'04
 4A=ST1300A'04

F-15-1

 Frame
 Serial Number

Ref	Description	Model	From	To	AREA	QTY	Part Number	H/C
1	CLAMP, PIPE	3A	-----	-----	AC	2	17368-KV7-671	2507630
		4A	-----	-----	A	2	17368-KV7-671	2507630
2	CLAMP, RR. BRAKE PIPE.....	3A	-----	-----	AC	1	43155-MCS-G00	7126022
		4A	-----	-----	A	1	43155-MCS-G00	7126022
3	HOSE B, RR. BRAKE.....	3A	-----	-----	AC	1	43313-MCS-G01	7126105
		4A	-----	-----	A	1	43313-MCS-G01	7126105
4	PIPE C, RR. BRAKE.....	3A	-----	-----	AC	1	43314-MCS-G00	7126113
		4A	-----	-----	A	1	43314-MCS-G00	7126113
5	HOSE C, RR. BRAKE.....	3A	-----	-----	AC	1	43315-MCS-G01	7126121
		4A	-----	-----	A	1	43315-MCS-G01	7126121
6	HOSE B, SECOND BRAKE MASTER CYLINDER	3A	-----	-----	AC	1	43335-MCS-G02	7126279
		4A	-----	-----	A	1	43335-MCS-G02	7126279
7	PIPE E, SECOND BRAKE MASTER CYLINDER	3A	-----	-----	AC	1	43336-MCS-G00	7126287
		4A	-----	-----	A	1	43336-MCS-G00	7126287
8	HOSE C, SECOND BRAKE MASTER CYLINDER	3A	-----	-----	AC	1	43337-MCS-G01	7126295
		4A	-----	-----	A	1	43337-MCS-G01	7126295
9	BOLT, FLANGE (6X12)	3A	-----	-----	AC	1	90103-MCS-G00	7128622
		4A	-----	-----	A	1	90103-MCS-G00	7128622
10	BOLT, FLANGE (6X38)	3A	-----	-----	AC	1	90106-MCS-G00	7128655

REAR BRAKE HOSE (ST1300A)

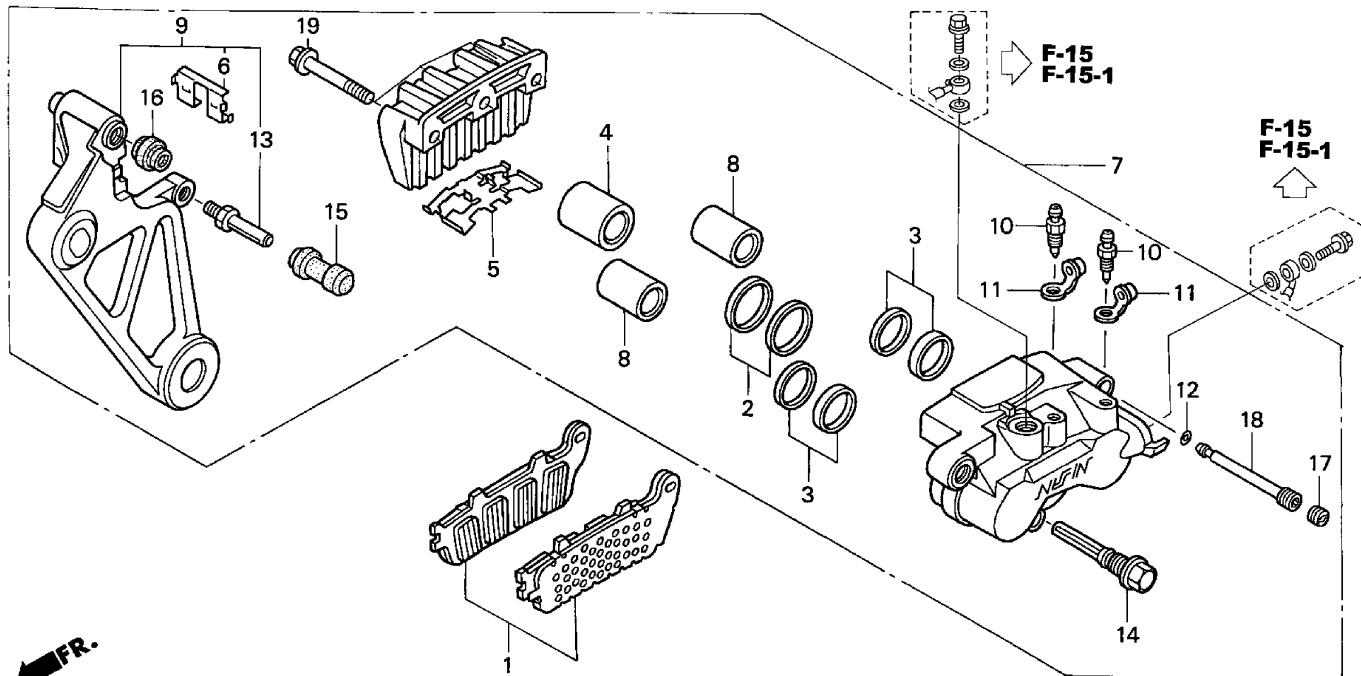
3 =ST1300'03
 3A=ST1300A'03
 4 =ST1300'04
 4A=ST1300A'04

F-15-1

Frame
Serial Number

Ref	Description	Model	From	To	AREA	QTY	Part Number	H/C
10	BOLT, FLANGE (6X38)	4A	-----	-----	A	1	90106-MCS-G00	7128655
11	BOLT, FLANGE (6X45)	3A	-----	-----	AC	1	90111-MCS-G01	7128663
		4A	-----	-----	A	1	90111-MCS-G01	7128663
12	BOLT, OIL (10X22).....	3A	-----	-----	AC	2	90145-MS9-612	5369418
		4A	-----	-----	A	2	90145-MS9-612	5369418
13	WASHER, OIL BOLT	3A	-----	-----	AC	4	90545-300-000	0189902
		4A	-----	-----	A	4	90545-300-000	0189902

REAR BRAKE CALIPER



MCS3-F1600

MCS3F1600

3 =ST1300'03
3A=ST1300A'03
4 =ST1300'04
4A=ST1300A'04

F-16

Frame
Serial Number

Ref	Description	Model	From	To	AREA	QTY	Part Number	H/C
1	PAD SET, RR.	3 3A	-----	-----	AC	1	06435-MCS-G01	7122583
		4 4A	-----	-----	A	1	06435-MCS-G01	7122583
2	SEAL SET, PISTON.....	3 3A	-----	-----	AC	1	06451-GE2-405	4102174
		4 4A	-----	-----	A	1	06451-GE2-405	4102174
3	SEAL SET, PISTON.....	3 3A	-----	-----	AC	2	06451-MZ2-405	4179362
		4 4A	-----	-----	A	2	06451-MZ2-405	4179362
4	PISTON A, L.	3 3A	-----	-----	AC	1	43107-MCS-G01	7126006
		4 4A	-----	-----	A	1	43107-MCS-G01	7126006
5	SPRING, PAD.....	3 3A	-----	-----	AC	1	43108-MAJ-G41	4979464
		4 4A	-----	-----	A	1	43108-MAJ-G41	4979464
6	RETAINER, RR. BRACKET	3 3A	-----	-----	AC	1	43112-MAJ-G41	4979480
		4 4A	-----	-----	A	1	43112-MAJ-G41	4979480
7	CALIPER SUB-ASSY., RR.	3 3A	-----	-----	AC	1	43150-MCS-G01	7126014
		4 4A	-----	-----	A	1	43150-MCS-G01	7126014
8	PISTON (22X39).....	3 3A	-----	-----	AC	2	43207-MAJ-G41	4979571
		4 4A	-----	-----	A	2	43207-MAJ-G41	4979571
9	BRACKET SUB-ASSY., RR.	3 3A	-----	-----	AC	1	43290-MCS-G01	7126055
		4 4A	-----	-----	A	1	43290-MCS-G01	7126055
10	SCREW, BLEEDER	3 3A	-----	-----	AC	2	43352-568-003	0505735
		4 4A	-----	-----	A	2	43352-568-003	0505735
11	CAP, BLEEDER	3 3A	-----	-----	AC	2	43353-461-771	0954230

REAR BRAKE CALIPER

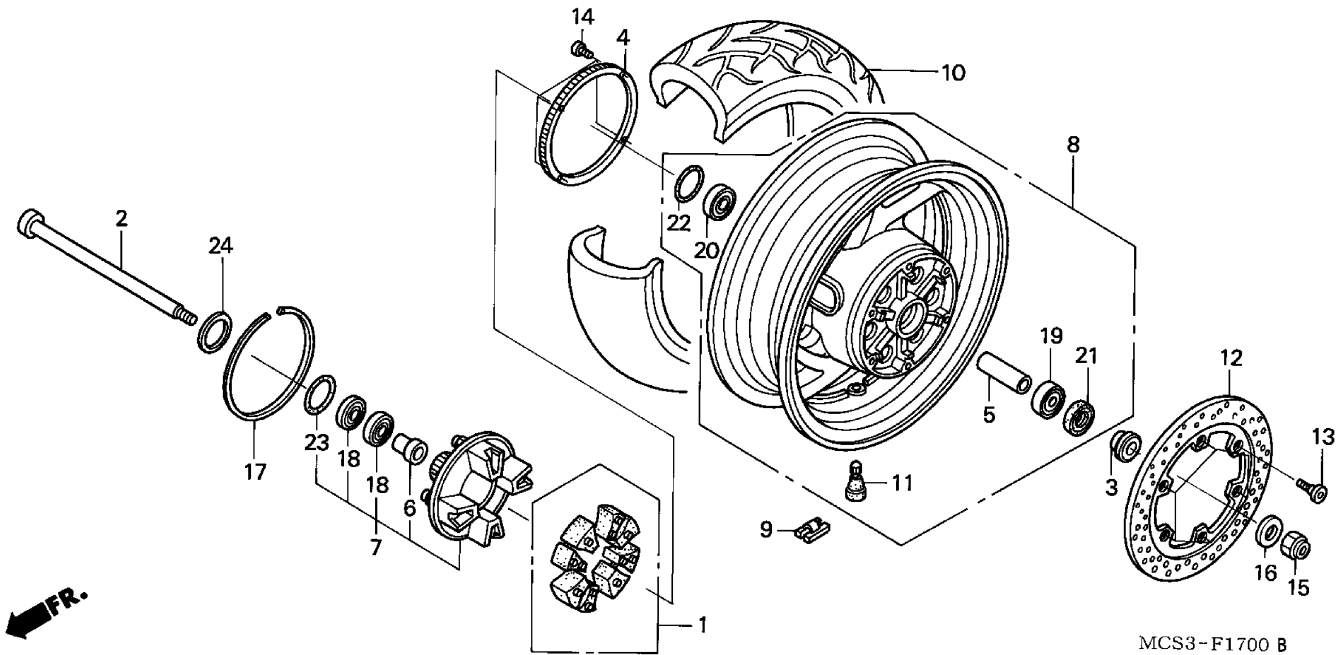
3 =ST1300'03
 3A=ST1300A'03
 4 =ST1300'04
 4A=ST1300A'04

F-16

Frame
Serial Number

Ref	Description	Model	From	To	AREA	QTY	Part Number	H/C
11	CAP, BLEEDER	4 4A	-----	-----	A	2	43353-461-771	0954230
12	O-RING (2.5X1.5).....	3 3A	-----	-----	AC	1	45111-MAJ-G41	4979928
		4 4A	-----	-----	A	1	45111-MAJ-G41	4979928
13	BOLT, PIN	3 3A	-----	-----	AC	1	45131-MAC-681	4570982
		4 4A	-----	-----	A	1	45131-MAC-681	4570982
14	PIN, BOLT	3 3A	-----	-----	AC	1	45131-MZ2-006	4181251
		4 4A	-----	-----	A	1	45131-MZ2-006	4181251
15	BUSH, PIN	3 3A	-----	-----	AC	1	45132-166-016	1046275
		4 4A	-----	-----	A	1	45132-166-016	1046275
16	BOOT B	3 3A	-----	-----	AC	1	45133-MA3-006	1012012
		4 4A	-----	-----	A	1	45133-MA3-006	1012012
17	PLUG, PIN	3 3A	-----	-----	AC	1	45203-MCC-006	6334387
		4 4A	-----	-----	A	1	45203-MCC-006	6334387
18	PIN, HANGER	3 3A	-----	-----	AC	1	45215-MAJ-G41	4980074
		4 4A	-----	-----	A	1	45215-MAJ-G41	4980074
19	BOLT, FLANGE (8X45)	3 3A	-----	-----	AC	3	90135-MAJ-G41	4980744
		4 4A	-----	-----	A	3	90135-MAJ-G41	4980744

REAR WHEEL



MCS3F1700B

3 =ST1300'03
 3A=ST1300A'03
 4 =ST1300'04
 4A=ST1300A'04

F-17

 Frame
 Serial Number

Ref	Description	Model	From	To	AREA	QTY	Part Number	H/C
1	DAMPER SET, WHEEL	3 3A	-----	-----	AC	1	06410-MCS-G00	7122575
		4 4A	-----	-----	A	1	06410-MCS-G00	7122575
2	AXLE, RR. WHEEL.....	3	-----	3M100005	AC	1	42301-MCH-010	6882039
		3A	-----	3M100007	AC	1	42301-MCH-010	6882039
		3	3M100006	-----	AC	1	42301-MCS-G00	7217169
		4 4A	-----	-----	A	1	42301-MCS-G00	7217169
3	COLLAR, RR. WHEEL SIDE	3 3A	-----	-----	AC	1	42311-MCS-G00	7125933
		4 4A	-----	-----	A	1	42311-MCS-G00	7125933
4	RING, PULSER (RR)	3A	-----	-----	AC	1	42515-MCS-G00	7125941
		4A	-----	-----	A	1	42515-MCS-G00	7125941
5	COLLAR, RR. AXLE DISTANCE	3 3A	-----	-----	AC	1	42620-MT3-000	3485364
		4 4A	-----	-----	A	1	42620-MT3-000	3485364
6	COLLAR A, RR. AXLE DISTANCE	3 3A	-----	-----	AC	1	42624-MCH-000	6702823
		4 4A	-----	-----	A	1	42624-MCH-000	6702823
7	FLANGE SET, FINAL DRIVEN.....	3 3A	-----	-----	AC	1	42630-MCS-G00	7125966
		4 4A	-----	-----	A	1	42630-MCS-G00	7125966
8	WHEEL SUB-ASSY., RR.....	3	-----	-----	AC	1	42650-MCS-611	7125982
		3A	-----	-----	AC	1	42650-MCS-G01	7125974
		4	-----	-----	A	1	42650-MCS-940	7679194
		4A	-----	-----	A	1	42650-MCS-760	7679186

REAR WHEEL

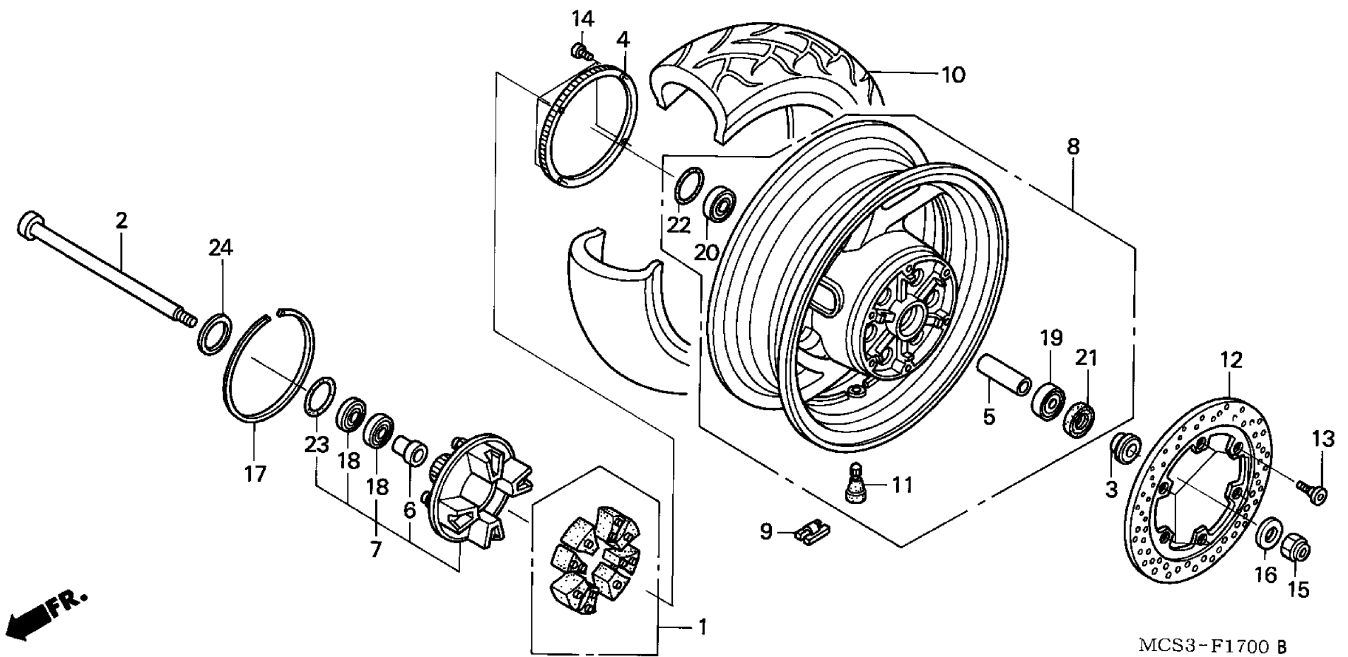
3 =ST1300'03
 3A=ST1300A'03
 4 =ST1300'04
 4A=ST1300A'04

F-17

Frame
Serial Number

Ref	Description	Model	From	To	AREA	QTY	Part Number	H/C
9	WEIGHT, BALANCE (10G)	3 3A	-----	-----	AC	AR	42704-MB0-000	1272319
		4 4A	-----	-----	A	AR	42704-MB0-000	1272319
	WEIGHT, BALANCE (20G)	3 3A	-----	-----	AC	AR	42705-MB0-000	1247881
		4 4A	-----	-----	A	AR	42705-MB0-000	1247881
	WEIGHT, BALANCE (30G)	3 3A	-----	-----	AC	AR	42706-MB0-000	1247899
		4 4A	-----	-----	A	AR	42706-MB0-000	1247899
10	TIRE, RR. (170/60ZR17M/C) (BS)	3 3A	-----	-----	AC	1	42711-MCS-G01	7125990
		4 4A	-----	-----	A	1	42711-MCS-G01	7125990
	TIRE, RR. (170/60ZR17) (DUNLOP)	3 3A	-----	-----	AC	1	42711-MCS-G02	7515315
		4 4A	-----	-----	A	1	42711-MCS-G02	7515315
11	VALVE, RIM (BS)	3 3A	-----	-----	AC	1	42753-ML7-003	2378446
		4 4A	-----	-----	A	1	42753-ML7-003	2378446
	VALVE, RIM (DUNLOP)	3 3A	-----	-----	AC	1	42753-ML7-004	2378453
		4 4A	-----	-----	A	1	42753-ML7-004	2378453
12	DISK, RR. BRAKE	3 3A	-----	-----	AC	1	43351-MCS-G00	7126303
		4 4A	-----	-----	A	1	43351-MCS-G00	7126303
13	BOLT, DISK (8X24)	3 3A	-----	-----	AC	6	90105-MV9-003	3699014
		4 4A	-----	-----	A	6	90105-MV9-003	3699014
14	BOLT, TORX (5X14).....	3A	-----	-----	AC	4	90131-MY3-781	4048369
		4A	-----	-----	A	4	90131-MY3-781	4048369
15	NUT, U (18MM)	3 3A	-----	-----	AC	1	90306-MCS-G00	7367444
		4 4A	-----	-----	A	1	90306-MCS-G00	7367444
16	WASHER, SPECIAL (18MM)	3 3A	-----	-----	AC	1	90432-MCS-G00	7217466
		4 4A	-----	-----	A	1	90432-MCS-G00	7217466
17	CIRCLIP (INNER) (188)	3 3A	-----	-----	AC	1	90651-MCH-000	6703821
		4 4A	-----	-----	A	1	90651-MCH-000	6703821
18	BEARING, RADIAL BALL (6905RS)	3 3A	-----	-----	AC	2	91052-KZ4-J21	6267850
		4 4A	-----	-----	A	2	91052-KZ4-J21	6267850
19	BEARING, RADIAL BALL (6204UU)	3 3A	-----	-----	AC	1	91052-MAE-004	4517710
		4 4A	-----	-----	A	1	91052-MAE-004	4517710
20	BEARING, RADIAL BALL (20X47X20.6) (TOYO).....	3 3A	-----	-----	AC	1	91053-MN5-003	2811412
		4 4A	-----	-----	A	1	91053-MN5-003	2811412
21	DUST SEAL (30X47X13)	3 3A	-----	-----	AC	1	91251-MCS-G01	7129034
		4 4A	-----	-----	A	1	91251-MCS-G01	7129034
22	O-RING (61X2).....	3 3A	-----	-----	AC	1	91302-MA6-003	1237213
		4 4A	-----	-----	A	1	91302-MA6-003	1237213
23	O-RING (50.5X3.5) (ARAI).....	3 3A	-----	-----	AC	1	91358-MG9-003	1532373
		4 4A	-----	-----	A	1	91358-MG9-003	1532373
	O-RING (50.5X3.5) (NOK)	3 3A	-----	-----	AC	1	91358-MG9-004	1544964
		4 4A	-----	-----	A	1	91358-MG9-004	1544964

REAR WHEEL



MCS3-F1700 B

MCS3F1700B

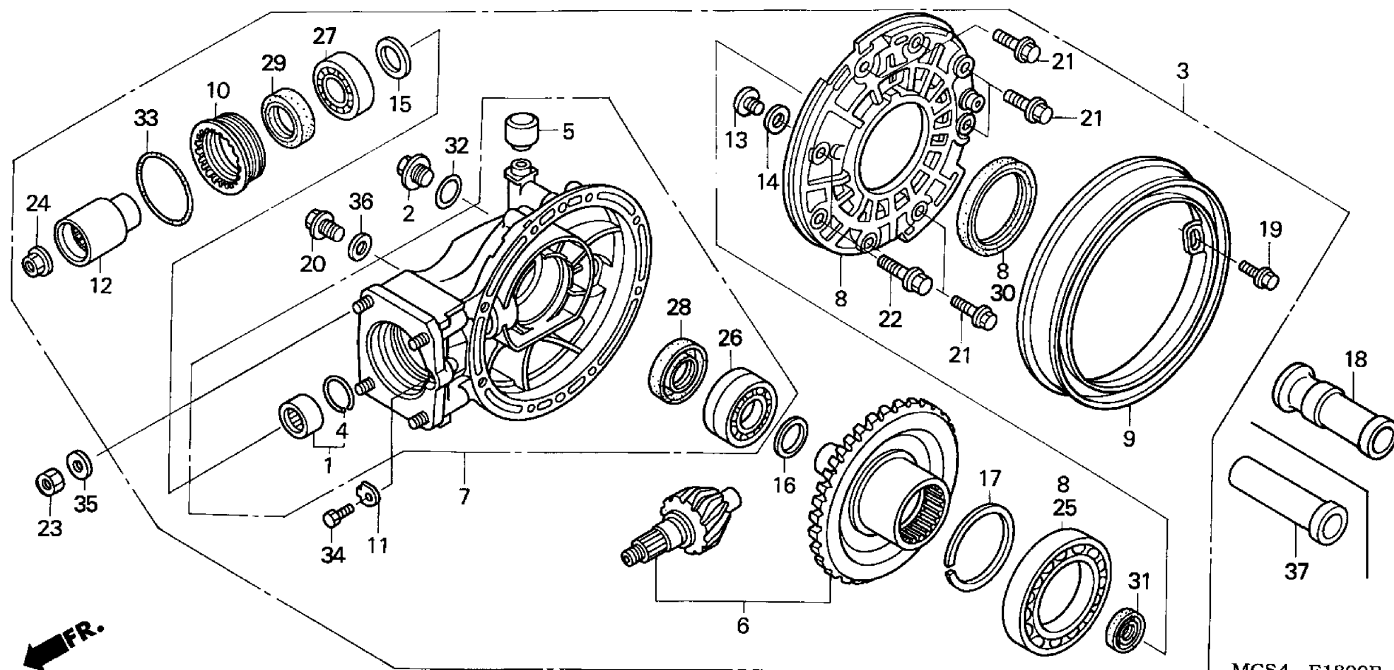
3 =ST1300'03
 3A=ST1300A'03
 4 =ST1300'04
 4A=ST1300A'04

F-17

Frame
 Serial Number

Ref	Description	Model	From	To	AREA	QTY	Part Number	H/C
24	WASHER (20X31.5X2).....	3 3A	-----	-----	AC	1	90401-MAS-000	4986592
		4 4A	-----	-----	A	1	90401-MAS-000	4986592

FINAL DRIVEN GEAR (ST1300)



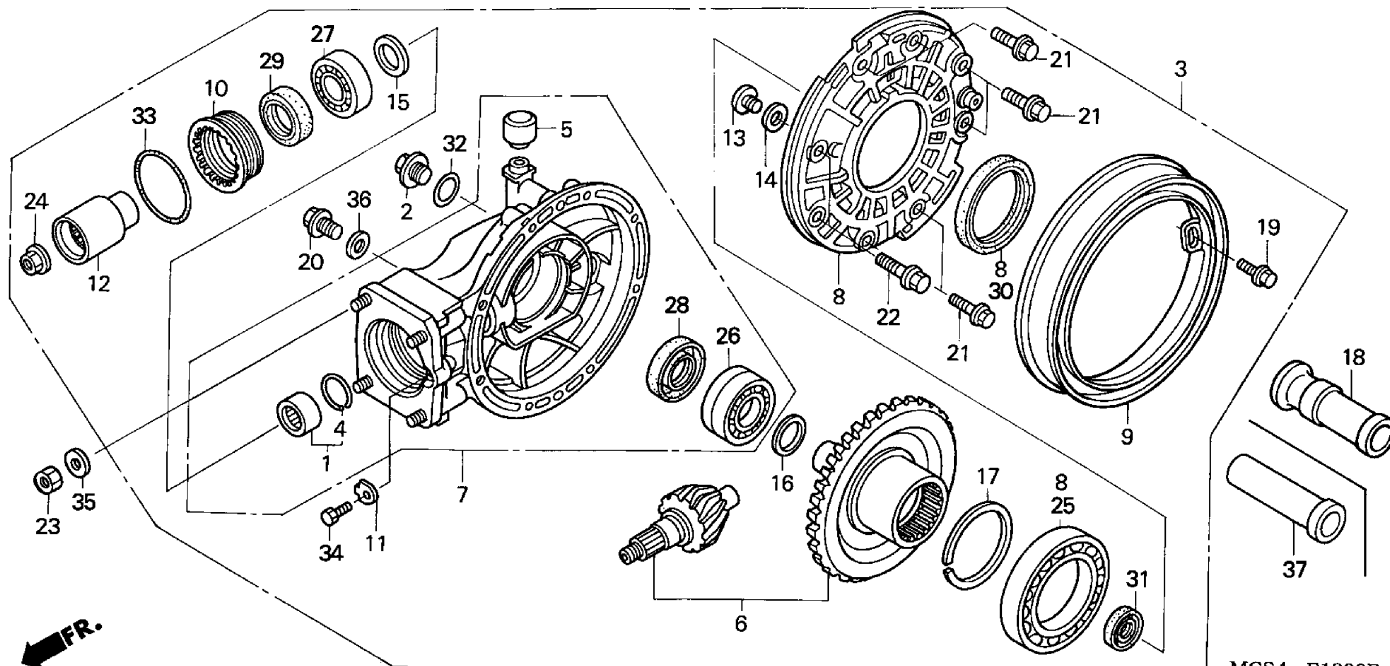
3 =ST1300'03
 3A=ST1300A'03
 4 =ST1300'04
 4A=ST1300A'04

F-18

 Frame
 Serial Number

Ref	Description	Model	From	To	AREA	QTY	Part Number	H/C
1	BEARING SET, NEEDLE	3	-----	-----	AC	1	06910-MZ0-000	5231402
		4	-----	-----	A	1	06910-MZ0-000	5231402
2	CAP, VALVE ADJ.	3	-----	-----	AC	1	12361-035-000	0069625
		4	-----	-----	A	1	12361-035-000	0069625
		3	-----	-----	AC	1	12361-300-000	0188870
		4	-----	-----	A	1	12361-300-000	0188870
3	GEAR ASSY., FINAL DRIVEN	3	-----	-----	AC	1	41300-MCS-611	7367089
		4	-----	-----	A	1	41300-MCS-611	7367089
		3	-----	-----	AC	1	41305-MB4-770	2013969
		4	-----	-----	A	1	41305-MB4-770	2013969
5	CAP, BREATHER.....	3	-----	-----	AC	1	41306-MB0-010	1316736
		4	-----	-----	A	1	41306-MB0-020	7684145
6	GEAR SET, FINAL	3	-----	-----	AC	1	41310-MCS-G01	7367097
		4	-----	-----	A	1	41310-MCS-G01	7367097
7	CASE SUB-ASSY., FINAL GEAR	3	-----	-----	AC	1	41311-MCS-G01	7367105
		4	-----	-----	A	1	41311-MCS-G02	7684152
8	COVER SUB-ASSY., FINAL GEAR	3	-----	-----	AC	1	41320-MCS-610	7125917
		4	-----	-----	A	1	41320-MCS-610	7125917

FINAL DRIVEN GEAR (ST1300)



MCS4-F1800B

MCS4F1800B

3 =ST1300'03
 3A=ST1300A'03
 4 =ST1300'04
 4A=ST1300A'04

F-18

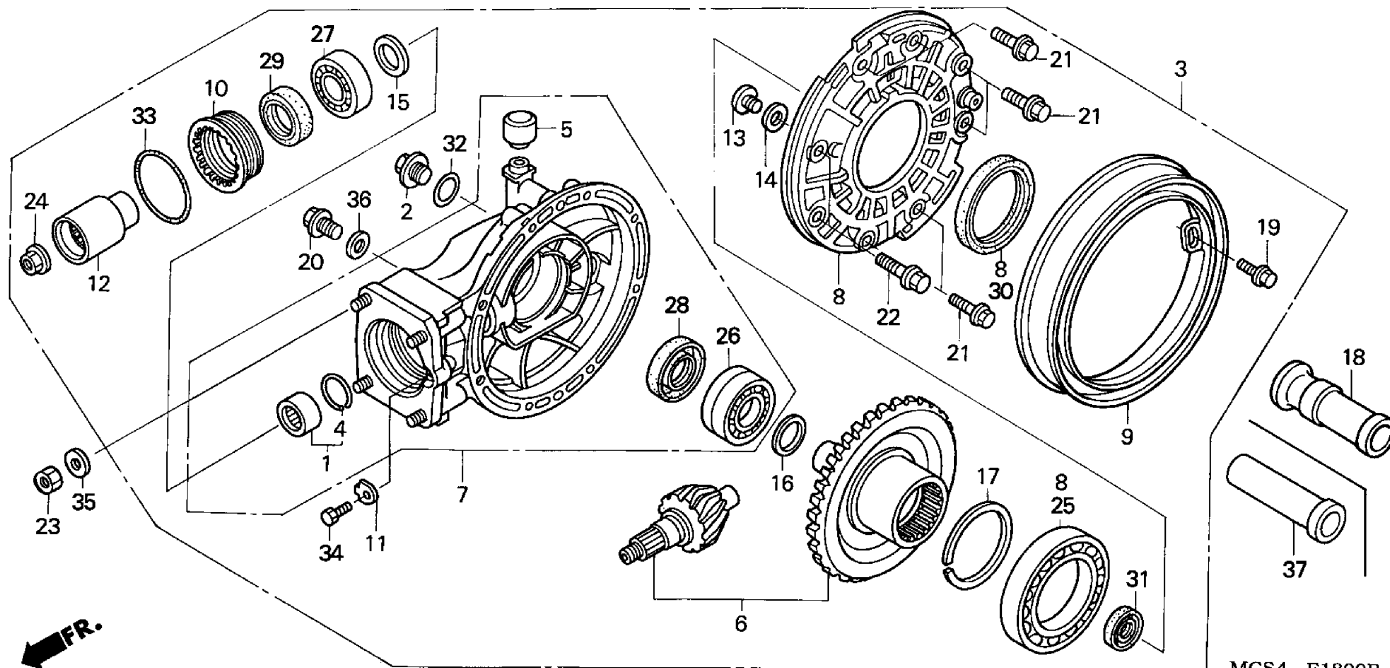
Frame
 Serial Number

Ref	Description	Model	From	To	AREA	QTY	Part Number	H/C
9	PLATE, DUST GUARD.....	3	-----	-----	AC	1	41324-MAJ-G00	4591673
		4	-----	-----	A	1	41324-MAJ-G00	4591673
10	RETAINER, BEARING	3	-----	-----	AC	1	41331-MN5-000	2807147
		4	-----	-----	A	1	41331-MN5-000	2807147
11	LOCK A, BEARING ADJ.	3	-----	-----	AC	1	41332-415-000	0669176
		4	-----	-----	A	1	41332-415-000	0669176
	LOCK B, BEARING ADJ.	3	-----	-----	AC	1	41333-415-000	0669184
		4	-----	-----	A	1	41333-415-000	0669184
12	JOINT, PINION.....	3	-----	-----	AC	1	41410-MCS-G00	7125925
		4	-----	-----	A	1	41410-MCS-G00	7125925
13	PIN, RING GEAR STOPPER	3	-----	-----	AC	1	41436-MB0-310	1316777
		4	-----	-----	A	1	41436-MB0-310	1316777
14	SHIM A, STOPPER PIN (0.10).....	3	-----	-----	AC	AR	41437-MB0-310	1316785
		4	-----	-----	A	AR	41437-MB0-310	1316785
	SHIM B, STOPPER PIN (0.15).....	3	-----	-----	AC	AR	41438-MB0-310	1316793
		4	-----	-----	A	AR	41438-MB0-310	1316793
15	SHIM A, PINION GEAR (1.32)	3	-----	-----	AC	1	41450-MT3-610	3485026
		4	-----	-----	A	1	41450-MT3-610	3485026
	SHIM B, PINION GEAR (1.35)	3	-----	-----	AC	1	41451-MT3-610	3485034
		4	-----	-----	A	1	41451-MT3-610	3485034
	SHIM C, PINION GEAR (1.38)	3	-----	-----	AC	1	41452-MT3-610	3485042

FINAL DRIVEN GEAR (ST1300)

3 =ST1300'03 3A=ST1300A'03 4 =ST1300'04 4A=ST1300A'04			F-18					
			Frame Serial Number					
Ref	Description	Model	From	To	AREA	QTY	Part Number	H/C
15	SHIM C, PINION GEAR (1.38)	4	-----	-----	A	1	41452-MT3-610	3485042
	SHIM D, PINION GEAR (1.41)	3	-----	-----	AC	1	41453-MT3-610	3485059
		4	-----	-----	A	1	41453-MT3-610	3485059
	SHIM E, PINION GEAR (1.44)	3	-----	-----	AC	1	41454-MT3-610	3485067
		4	-----	-----	A	1	41454-MT3-610	3485067
	SHIM F, PINION GEAR (1.47)	3	-----	-----	AC	1	41455-MT3-610	3485075
		4	-----	-----	A	1	41455-MT3-610	3485075
	SHIM G, PINION GEAR (1.50)	3	-----	-----	AC	1	41456-MT3-610	3485083
		4	-----	-----	A	1	41456-MT3-610	3485083
	SHIM H, PINION GEAR (1.53)	3	-----	-----	AC	1	41457-MT3-610	3485091
		4	-----	-----	A	1	41457-MT3-610	3485091
	SHIM I, PINION GEAR (1.56)	3	-----	-----	AC	1	41458-MT3-610	3485109
		4	-----	-----	A	1	41458-MT3-610	3485109
	SHIM J, PINION GEAR (1.59)	3	-----	-----	AC	1	41459-MT3-610	3485117
		4	-----	-----	A	1	41459-MT3-610	3485117
	SHIM K, PINION GEAR (1.62)	3	-----	-----	AC	1	41460-MT3-610	3485125
		4	-----	-----	A	1	41460-MT3-610	3485125
	SHIM L, PINION GEAR (1.65)	3	-----	-----	AC	1	41461-MT3-610	3485133
		4	-----	-----	A	1	41461-MT3-610	3485133
	SHIM M, PINION GEAR (1.68)	3	-----	-----	AC	1	41462-MT3-610	3485141
		4	-----	-----	A	1	41462-MT3-610	3485141
16	WASHER, SPECIAL (35X40)	3	-----	-----	AC	1	41510-MB0-003	1247717
		4	-----	-----	A	1	41510-MB0-003	1247717
17	SHIM A, RING GEAR (1.82)	3	-----	-----	AC	1	41530-MT3-610	3485158
		4	-----	-----	A	1	41530-MT3-610	3485158
	SHIM B, RING GEAR (1.85)	3	-----	-----	AC	1	41531-MT3-610	3485166
		4	-----	-----	A	1	41531-MT3-610	3485166
	SHIM C, RING GEAR (1.88)	3	-----	-----	AC	1	41532-MT3-610	3485174
		4	-----	-----	A	1	41532-MT3-610	3485174
	SHIM D, RING GEAR (1.91)	3	-----	-----	AC	1	41533-MT3-610	3485182
		4	-----	-----	A	1	41533-MT3-610	3485182
	SHIM E, RING GEAR (1.94)	3	-----	-----	AC	1	41534-MT3-610	3485190
		4	-----	-----	A	1	41534-MT3-610	3485190
	SHIM F, RING GEAR (1.97)	3	-----	-----	AC	1	41535-MT3-610	3485208
		4	-----	-----	A	1	41535-MT3-610	3485208
	SHIM G, RING GEAR (2.00)	3	-----	-----	AC	1	41536-MT3-610	3485216
		4	-----	-----	A	1	41536-MT3-610	3485216
	SHIM H, RING GEAR (2.03)	3	-----	-----	AC	1	41537-MT3-610	3485224
		4	-----	-----	A	1	41537-MT3-610	3485224
	SHIM I, RING GEAR (2.06)	3	-----	-----	AC	1	41538-MT3-610	3485232

FINAL DRIVEN GEAR (ST1300)



MCS4-F1800B

MCS4F1800B

3 =ST1300'03
 3A=ST1300A'03
 4 =ST1300'04
 4A=ST1300A'04

F-18

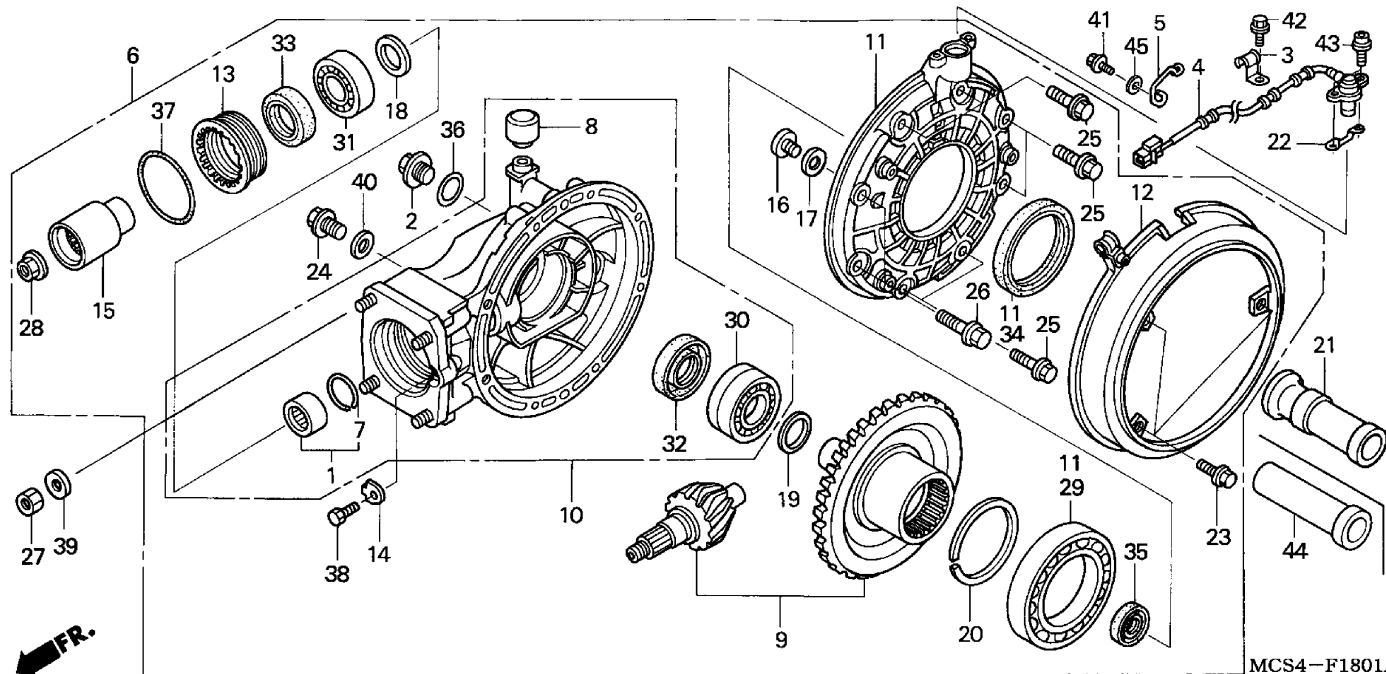
Frame
 Serial Number

Ref	Description	Model	From	To	AREA	QTY	Part Number	H/C
17	SHIM I, RING GEAR (2.06)	4	-----	-----	A	1	41538-MT3-610	3485232
	SHIM J, RING GEAR (2.09)	3	-----	-----	AC	1	41539-MT3-610	3485240
		4	-----	-----	A	1	41539-MT3-610	3485240
	SHIM K, RING GEAR (2.12).....	3	-----	-----	AC	1	41540-MT3-610	3485257
		4	-----	-----	A	1	41540-MT3-610	3485257
	SHIM L, RING GEAR (2.15).....	3	-----	-----	AC	1	41541-MT3-610	3485265
		4	-----	-----	A	1	41541-MT3-610	3485265
	SHIM M, RING GEAR (2.18)	3	-----	-----	AC	1	41542-MT3-610	3485273
		4	-----	-----	A	1	41542-MT3-610	3485273
	SHIM N, RING GEAR (2.21).....	3	-----	-----	AC	1	41543-MT3-610	3485281
		4	-----	-----	A	1	41543-MT3-610	3485281
	SHIM O, RING GEAR (2.24)	3	-----	-----	AC	1	41544-MT3-610	3485299
		4	-----	-----	A	1	41544-MT3-610	3485299
	SHIM P, RING GEAR (2.27).....	3	-----	-----	AC	1	41545-MT3-610	3485307
		4	-----	-----	A	1	41545-MT3-610	3485307
	SHIM Q, RING GEAR (2.30)	3	-----	-----	AC	1	41546-MT3-610	3485315
		4	-----	-----	A	1	41546-MT3-610	3485315
18	COLLAR B, RR. AXLE DISTANCE	3	-----	3M100005	AC	1	42625-MCS-G00	7125958
	COLLAR B, RR. AXLE DISTANCE	3	-----	3M100005	AC	1	42625-MCS-G01	7217177
19	BOLT, FLANGE (6X12) (CT200)	3	-----	-----	AC	1	90013-883-000	0636845
		4	-----	-----	A	1	90013-883-000	0636845

FINAL DRIVEN GEAR (ST1300)

3 =ST1300'03 3A=ST1300A'03 4 =ST1300'04 4A=ST1300A'04		F-18						
		Frame Serial Number						
Ref	Description	Model	From	To	AREA	QTY	Part Number	H/C
20	BOLT, PLUG (14MM)	3	-----	-----	AC	1	90118-MCH-000	6703615
		4	-----	-----	A	1	90118-MCH-000	6703615
21	BOLT, FLANGE (8X27)	3	-----	-----	AC	6	90133-MB0-000	1251016
		4	-----	-----	A	6	90133-MB0-000	1251016
22	BOLT, FLANGE (10X35)	3	-----	-----	AC	2	90134-HA0-000	1824358
		4	-----	-----	A	2	90134-HA0-000	1824358
23	NUT, HEX. (10MM).....	3	-----	-----	AC	4	90308-357-000	0322156
		4	-----	-----	A	4	90308-357-000	0322156
24	NUT, HEX. (16MM).....	3	-----	-----	AC	1	90381-MT3-000	3487980
		4	-----	-----	A	1	90381-MT3-000	3487980
25	BEARING, RADIAL BALL (65X100X11) (TOYO).....	3	-----	-----	AC	1	91051-MN5-003	2811396
		4	-----	-----	A	1	91051-MN5-003	2811396
26	BEARING, RADIAL BALL (35X62X19).....	3	-----	-----	AC	1	91052-MCS-G01	7129000
		4	-----	-----	A	1	91052-MCS-G01	7129000
27	BEARING, RADIAL BALL (QJ3/28V1)	3	-----	-----	AC	1	91061-MT3-003	3488152
		4	-----	-----	A	1	91061-MT3-003	3488152
28	OIL SEAL (35X54X8) (NOK)	3	-----	-----	AC	1	91261-MY3-003	3956695
		4	-----	-----	A	1	91261-MY3-003	3956695
29	OIL SEAL (39X56X7) (NOK)	3	-----	-----	AC	1	91262-MY3-003	3956703
		4	-----	-----	A	1	91262-MY3-003	3956703
30	OIL SEAL (65X85X7) (NOK)	3	-----	-----	AC	1	91265-MY3-003	3956711
		4	-----	-----	A	1	91265-MY3-003	3956711
31	DUST SEAL (26X40X5)	3	-----	-----	AC	1	91268-463-003	0886309
		4	-----	-----	A	1	91268-463-003	0886309
32	O-RING (30.8MM)	3	-----	-----	AC	1	91302-001-020	0001065
		4	-----	-----	A	1	91302-001-020	0001065
33	O-RING (64.5X3.5).....	3	-----	-----	AC	1	91359-MG9-003	1532381
		4	-----	-----	A	1	91359-MG9-003	1532381
34	BOLT, HEX. (6X12)	3	-----	-----	AC	1	92101-06012-0A	3591500
		4	-----	-----	A	1	92101-06012-0A	3591500
35	WASHER, PLAIN (10MM)	3	-----	-----	AC	4	94101-10000	0059113
		4	-----	-----	A	4	94101-10000	0059113
36	WASHER, DRAIN PLUG (14MM).....	3	-----	-----	AC	1	94109-14000	0171876
		4	-----	-----	A	1	94109-14000	0171876
37	COLLAR B, RR. AXLE DISTANCE	3	3M100006	-----	AC	1	42625-MCS-G01	7217177
		4	-----	-----	A	1	42625-MCS-760	7684228

FINAL DRIVEN GEAR (ST1300A)



3 =ST1300'03
 3A=ST1300A'03
 4 =ST1300'04
 4A=ST1300A'04

F-18-1

 Frame
 Serial Number

Ref	Description	Model	From	To	AREA	QTY	Part Number	H/C
1	BEARING SET, NEEDLE	3A	-----	-----	AC	1	06910-MZ0-000	5231402
		4A	-----	-----	A	1	06910-MZ0-000	5231402
2	CAP, VALVE ADJ.	3A	-----	-----	AC	1	12361-035-000	0069625
		4A	-----	-----	A	1	12361-035-000	0069625
	CAP, VALVE ADJ.	3A	-----	-----	AC	1	12361-300-000	0188870
		4A	-----	-----	A	1	12361-300-000	0188870
	CAP, VALVE ADJ.	3A	-----	-----	AC	1	12361-371-980	0454934
		4A	-----	-----	A	1	12361-371-980	0454934
3	CLIP B, TUBE.....	3A	-----	-----	AC	1	16106-KW7-900	4047262
		4A	-----	-----	A	1	16106-KW7-900	4047262
4	SENSOR, RR. WHEEL SPEED	3A	-----	-----	AC	1	38510-MCS-G01	7125784
		4A	-----	-----	A	1	38510-MCS-G01	7125784
5	GUIDE, SPEED SENSOR WIRE	3A	-----	-----	AC	1	38511-MCS-G00	7125792
		4A	-----	-----	A	1	38511-MCS-G00	7125792
6	GEAR ASSY., FINAL DRIVEN	3A	-----	-----	AC	1	41300-MCS-G01	7367071
		4A	-----	-----	A	1	41300-MCS-G01	7367071
7	RING, STOPPER	3A	-----	-----	AC	1	41305-MB4-770	2013969
		4A	-----	-----	A	1	41305-MB4-770	2013969
8	CAP, BREATHER.....	3A	-----	-----	AC	1	41306-MB0-020	7684145
		4A	-----	-----	A	1	41306-MB0-020	7684145
9	GEAR SET, FINAL	3A	-----	-----	AC	1	41310-MCS-G01	7367097

FINAL DRIVEN GEAR (ST1300A)

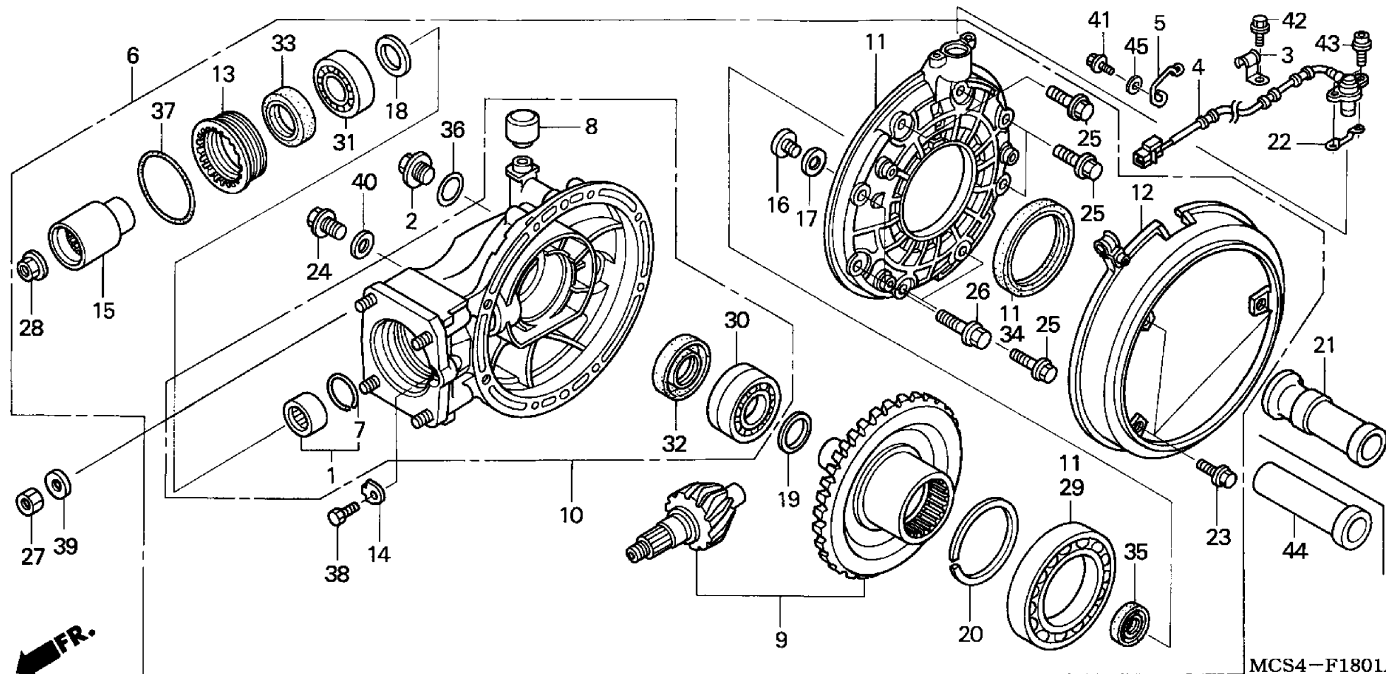
3 =ST1300'03
 3A=ST1300A'03
 4 =ST1300'04
 4A=ST1300A'04

F-18-1

Frame
Serial Number

Ref	Description	Model	From	To	AREA	QTY	Part Number	H/C
9	GEAR SET, FINAL	4A	-----	-----	A	1	41310-MCS-G01	7367097
10	CASE SUB-ASSY., FINAL GEAR	3A	-----	-----	AC	1	41311-MCS-G01	7367105
	CASE SUB-ASSY., FINAL GEAR	4A	-----	-----	A	1	41311-MCS-G02	7684152
11	COVER SUB-ASSY., FINAL GEAR	3A	-----	-----	AC	1	41320-MCS-G00	7125909
		4A	-----	-----	A	1	41320-MCS-G00	7125909
12	PLATE, DUST GUARD.....	3A	-----	-----	AC	1	41324-MY3-780	4047627
		4A	-----	-----	A	1	41324-MY3-780	4047627
13	RETAINER, BEARING	3A	-----	-----	AC	1	41331-MN5-000	2807147
		4A	-----	-----	A	1	41331-MN5-000	2807147
14	LOCK A, BEARING ADJ.	3A	-----	-----	AC	1	41332-415-000	0669176
		4A	-----	-----	A	1	41332-415-000	0669176
	LOCK B, BEARING ADJ.	3A	-----	-----	AC	1	41333-415-000	0669184
		4A	-----	-----	A	1	41333-415-000	0669184
15	JOINT, PINION.....	3A	-----	-----	AC	1	41410-MCS-G00	7125925
		4A	-----	-----	A	1	41410-MCS-G00	7125925
16	PIN, RING GEAR STOPPER	3A	-----	-----	AC	1	41436-MB0-310	1316777
		4A	-----	-----	A	1	41436-MB0-310	1316777
17	SHIM A, STOPPER PIN (0.10).....	3A	-----	-----	AC	AR	41437-MB0-310	1316785
		4A	-----	-----	A	AR	41437-MB0-310	1316785
	SHIM B, STOPPER PIN (0.15).....	3A	-----	-----	AC	AR	41438-MB0-310	1316793
		4A	-----	-----	A	AR	41438-MB0-310	1316793
18	SHIM A, PINION GEAR (1.32)	3A	-----	-----	AC	1	41450-MT3-610	3485026
		4A	-----	-----	A	1	41450-MT3-610	3485026
	SHIM B, PINION GEAR (1.35)	3A	-----	-----	AC	1	41451-MT3-610	3485034
		4A	-----	-----	A	1	41451-MT3-610	3485034
	SHIM C, PINION GEAR (1.38)	3A	-----	-----	AC	1	41452-MT3-610	3485042
		4A	-----	-----	A	1	41452-MT3-610	3485042
	SHIM D, PINION GEAR (1.41)	3A	-----	-----	AC	1	41453-MT3-610	3485059
		4A	-----	-----	A	1	41453-MT3-610	3485059
	SHIM E, PINION GEAR (1.44)	3A	-----	-----	AC	1	41454-MT3-610	3485067
		4A	-----	-----	A	1	41454-MT3-610	3485067
	SHIM F, PINION GEAR (1.47)	3A	-----	-----	AC	1	41455-MT3-610	3485075
		4A	-----	-----	A	1	41455-MT3-610	3485075
	SHIM G, PINION GEAR (1.50)	3A	-----	-----	AC	1	41456-MT3-610	3485083
		4A	-----	-----	A	1	41456-MT3-610	3485083
	SHIM H, PINION GEAR (1.53)	3A	-----	-----	AC	1	41457-MT3-610	3485091
		4A	-----	-----	A	1	41457-MT3-610	3485091
	SHIM I, PINION GEAR (1.56).....	3A	-----	-----	AC	1	41458-MT3-610	3485109
		4A	-----	-----	A	1	41458-MT3-610	3485109
	SHIM J, PINION GEAR (1.59)	3A	-----	-----	AC	1	41459-MT3-610	3485117

FINAL DRIVEN GEAR (ST1300A)



MCS4-F1801A

MCS4F1801A

3 =ST1300'03
 3A=ST1300A'03
 4 =ST1300'04
 4A=ST1300A'04

F-18-1

Frame
 Serial Number

Ref	Description	Model	From	To	AREA	QTY	Part Number	H/C
18	SHIM J, PINION GEAR (1.59)	4A	-----	-----	A	1	41459-MT3-610	3485117
	SHIM K, PINION GEAR (1.62)	3A	-----	-----	AC	1	41460-MT3-610	3485125
		4A	-----	-----	A	1	41460-MT3-610	3485125
	SHIM L, PINION GEAR (1.65)	3A	-----	-----	AC	1	41461-MT3-610	3485133
		4A	-----	-----	A	1	41461-MT3-610	3485133
	SHIM M, PINION GEAR (1.68).....	3A	-----	-----	AC	1	41462-MT3-610	3485141
		4A	-----	-----	A	1	41462-MT3-610	3485141
19	WASHER, SPECIAL (35X40).....	3A	-----	-----	AC	1	41510-MB0-003	1247717
		4A	-----	-----	A	1	41510-MB0-003	1247717
20	SHIM A, RING GEAR (1.82).....	3A	-----	-----	AC	1	41530-MT3-610	3485158
		4A	-----	-----	A	1	41530-MT3-610	3485158
	SHIM B, RING GEAR (1.85).....	3A	-----	-----	AC	1	41531-MT3-610	3485166
		4A	-----	-----	A	1	41531-MT3-610	3485166
	SHIM C, RING GEAR (1.88).....	3A	-----	-----	AC	1	41532-MT3-610	3485174
		4A	-----	-----	A	1	41532-MT3-610	3485174
	SHIM D, RING GEAR (1.91).....	3A	-----	-----	AC	1	41533-MT3-610	3485182
		4A	-----	-----	A	1	41533-MT3-610	3485182
	SHIM E, RING GEAR (1.94).....	3A	-----	-----	AC	1	41534-MT3-610	3485190
		4A	-----	-----	A	1	41534-MT3-610	3485190
	SHIM F, RING GEAR (1.97).....	3A	-----	-----	AC	1	41535-MT3-610	3485208
		4A	-----	-----	A	1	41535-MT3-610	3485208

FINAL DRIVEN GEAR (ST1300A)

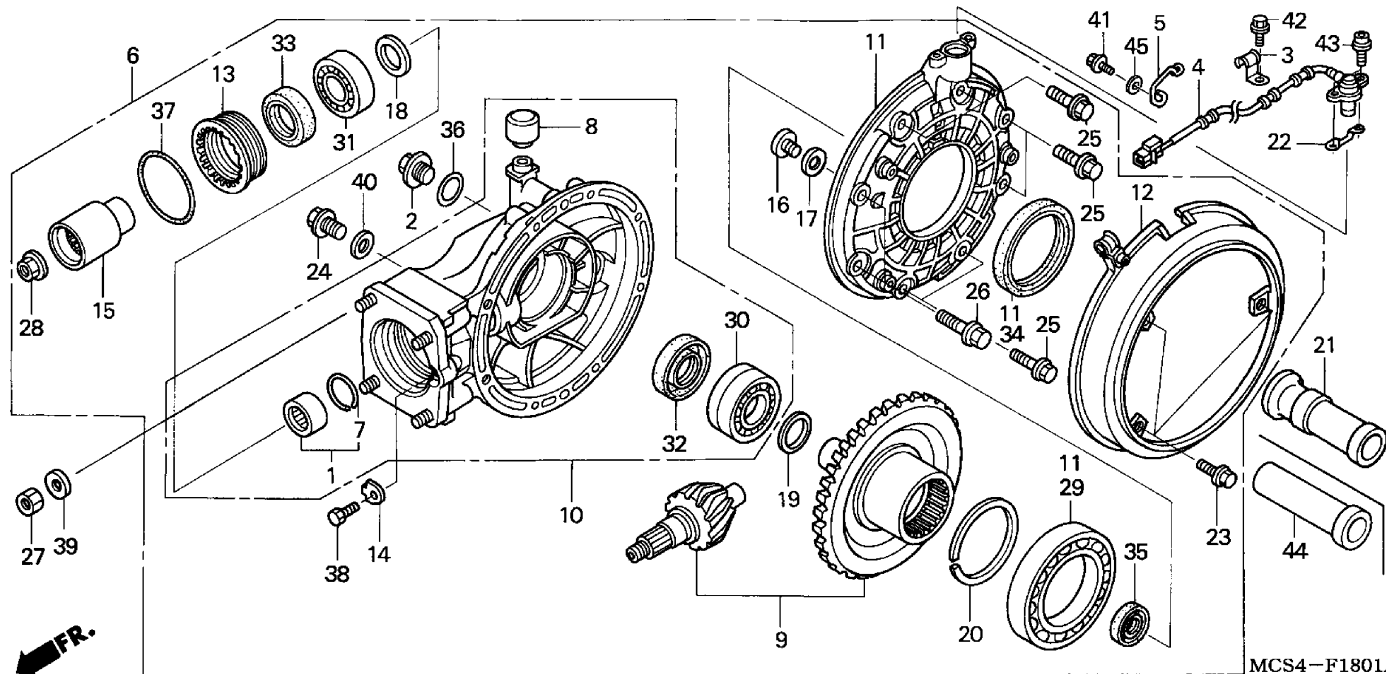
3 =ST1300'03
 3A=ST1300A'03
 4 =ST1300'04
 4A=ST1300A'04

F-18-1

Frame
Serial Number

Ref	Description	Model	From	To	AREA	QTY	Part Number	H/C
20	SHIM G, RING GEAR (2.00)	3A	-----	-----	AC	1	41536-MT3-610	3485216
		4A	-----	-----	A	1	41536-MT3-610	3485216
	SHIM H, RING GEAR (2.03).....	3A	-----	-----	AC	1	41537-MT3-610	3485224
		4A	-----	-----	A	1	41537-MT3-610	3485224
	SHIM I, RING GEAR (2.06)	3A	-----	-----	AC	1	41538-MT3-610	3485232
		4A	-----	-----	A	1	41538-MT3-610	3485232
	SHIM J, RING GEAR (2.09).....	3A	-----	-----	AC	1	41539-MT3-610	3485240
		4A	-----	-----	A	1	41539-MT3-610	3485240
	SHIM K, RING GEAR (2.12).....	3A	-----	-----	AC	1	41540-MT3-610	3485257
		4A	-----	-----	A	1	41540-MT3-610	3485257
	SHIM L, RING GEAR (2.15).....	3A	-----	-----	AC	1	41541-MT3-610	3485265
		4A	-----	-----	A	1	41541-MT3-610	3485265
	SHIM M, RING GEAR (2.18)	3A	-----	-----	AC	1	41542-MT3-610	3485273
		4A	-----	-----	A	1	41542-MT3-610	3485273
	SHIM N, RING GEAR (2.21).....	3A	-----	-----	AC	1	41543-MT3-610	3485281
		4A	-----	-----	A	1	41543-MT3-610	3485281
	SHIM O, RING GEAR (2.24)	3A	-----	-----	AC	1	41544-MT3-610	3485299
		4A	-----	-----	A	1	41544-MT3-610	3485299
	SHIM P, RING GEAR (2.27).....	3A	-----	-----	AC	1	41545-MT3-610	3485307
		4A	-----	-----	A	1	41545-MT3-610	3485307
	SHIM Q, RING GEAR (2.30)	3A	-----	-----	AC	1	41546-MT3-610	3485315
		4A	-----	-----	A	1	41546-MT3-610	3485315
21	COLLAR B, RR. AXLE DISTANCE	3A	-----	3M100007	AC	1	42625-MCS-G00	7125958
	COLLAR B, RR. AXLE DISTANCE	3A	-----	3M100007	AC	1	42625-MCS-G01	7217177
22	SHIM, WHEEL SENSOR	3A	-----	-----	AC	1	57451-MY3-780	4048195
		4A	-----	-----	A	1	57451-MY3-780	4048195
23	BOLT, FLANGE (6X12) (CT200)	3A	-----	-----	AC	3	90013-883-000	0636845
		4A	-----	-----	A	3	90013-883-000	0636845
24	BOLT, PLUG (14MM).....	3A	-----	-----	AC	1	90118-MCH-000	6703615
		4A	-----	-----	A	1	90118-MCH-000	6703615
25	BOLT, FLANGE (8X27)	3A	-----	-----	AC	6	90133-MB0-000	1251016
		4A	-----	-----	A	6	90133-MB0-000	1251016
26	BOLT, FLANGE (10X35)	3A	-----	-----	AC	2	90134-HA0-000	1824358
		4A	-----	-----	A	2	90134-HA0-000	1824358
27	NUT, HEX. (10MM).....	3A	-----	-----	AC	4	90308-357-000	0322156
		4A	-----	-----	A	4	90308-357-000	0322156
28	NUT, HEX. (16MM).....	3A	-----	-----	AC	1	90381-MT3-000	3487980
		4A	-----	-----	A	1	90381-MT3-000	3487980
29	BEARING, RADIAL BALL (65X100X11) (TOYO).....	3A	-----	-----	AC	1	91051-MN5-003	2811396

FINAL DRIVEN GEAR (ST1300A)



MCS4-F1801A

MCS4F1801A

3 =ST1300'03
 3A=ST1300A'03
 4 =ST1300'04
 4A=ST1300A'04

F-18-1

Frame
Serial Number

Ref	Description	Model	From	To	AREA	QTY	Part Number	H/C
29	BEARING, RADIAL BALL (65X100X11) (TOYO).....	4A	-----	-----	A	1	91051-MN5-003	2811396
30	BEARING, RADIAL BALL (35X62X19).....	3A	-----	-----	AC	1	91052-MCS-G01	7129000
		4A	-----	-----	A	1	91052-MCS-G01	7129000
31	BEARING, RADIAL BALL (QJ3/28V1)	3A	-----	-----	AC	1	91061-MT3-003	3488152
		4A	-----	-----	A	1	91061-MT3-003	3488152
32	OIL SEAL (35X54X8) (NOK)	3A	-----	-----	AC	1	91261-MY3-003	3956695
		4A	-----	-----	A	1	91261-MY3-003	3956695
33	OIL SEAL (39X56X7) (NOK)	3A	-----	-----	AC	1	91262-MY3-003	3956703
		4A	-----	-----	A	1	91262-MY3-003	3956703
34	OIL SEAL (65X85X7) (NOK)	3A	-----	-----	AC	1	91265-MY3-003	3956711
		4A	-----	-----	A	1	91265-MY3-003	3956711
35	DUST SEAL (26X40X5)	3A	-----	-----	AC	1	91268-463-003	0886309
		4A	-----	-----	A	1	91268-463-003	0886309
36	O-RING (30.8MM)	3A	-----	-----	AC	1	91302-001-020	0001065
		4A	-----	-----	A	1	91302-001-020	0001065
37	O-RING (64.5X3.5).....	3A	-----	-----	AC	1	91359-MG9-003	1532381
		4A	-----	-----	A	1	91359-MG9-003	1532381
38	BOLT, HEX. (6X12)	3A	-----	-----	AC	1	92101-06012-0A	3591500
		4A	-----	-----	A	1	92101-06012-0A	3591500
39	WASHER, PLAIN (10MM)	3A	-----	-----	AC	4	94101-10000	0059113

FINAL DRIVEN GEAR (ST1300A)

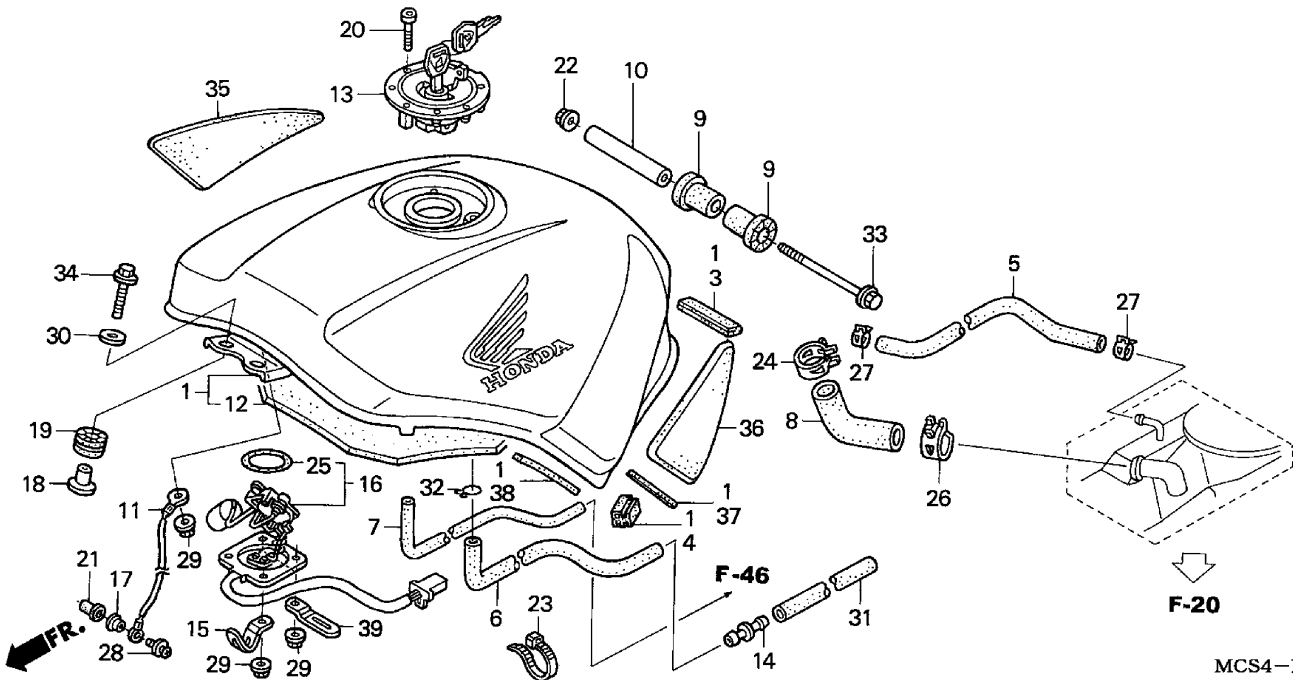
3 =ST1300'03
 3A=ST1300A'03
 4 =ST1300'04
 4A=ST1300A'04

F-18-1

Frame
Serial Number

Ref	Description	Model	From	To	AREA	QTY	Part Number	H/C
39	WASHER, PLAIN (10MM)	4A	-----	-----	A	4	94101-10000	0059113
40	WASHER, DRAIN PLUG (14MM).....	3A	-----	-----	AC	1	94109-14000	0171876
		4A	-----	-----	A	1	94109-14000	0171876
41	BOLT, FLANGE (6X14)	3A	-----	-----	AC	1	95701-06014-00	2410884
		4A	-----	-----	A	1	95701-06014-00	2410884
42	BOLT, FLANGE (6X14)	3A	-----	-----	AC	1	95701-06014-00	2410884
		4A	-----	-----	A	1	95701-06014-00	2410884
43	BOLT, FLANGE (6X14)	3A	-----	-----	AC	2	96001-06014-00	2154672
		4A	-----	-----	A	2	96001-06014-00	2154672
44	COLLAR B, RR. AXLE DISTANCE	3A	3M100008	-----	AC	1	42625-MCS-G01	7217177
	COLLAR B, RR. AXLE DISTANCE	4A	-----	-----	A	1	42625-MCS-760	7684228
45	WASHER, PLAIN (6MM)	3A	-----	-----	AC	1	94101-06000	0059071
		4A	-----	-----	A	1	94101-06000	0059071
	WASHER, PLAIN (6MM)	3A	-----	-----	AC	1	94101-06080	3136074
		4A	-----	-----	A	1	94101-06080	3136074
	WASHER, PLAIN (6MM)	3A	-----	-----	AC	1	94101-06800	0345900
		4A	-----	-----	A	1	94101-06800	0345900

FUEL TANK



MCS4-F1900C

MCS4F1900C

3 =ST1300'03
 3A=ST1300A'03
 4 =ST1300'04
 4A=ST1300A'04

F-19
 Frame
 Serial Number

Ref	Description	Model	From	To	AREA	QTY	Part Number	H/C
1	TANK SET, FUEL (TYPE2) (WL)	3 3A	-----	-----	AC	1	17500-MCS-G03ZB	7366909
	TANK SET, FUEL (TYPE1) (WL)	4 4A	-----	-----	A	1	17500-MCS-760ZA	7678972
3	TRIM, FUEL TANK	3 3A	-----	-----	AC	4	17516-HC0-000	2516003
		4 4A	-----	-----	A	4	17516-HC0-000	2516003
4	RUBBER, FUEL TANK	3 3A	-----	-----	AC	2	17516-KAZ-000	3695244
	CUSHION, FUEL TANK	4 4A	-----	-----	A	2	17514-MCS-G00	7679053
5	HOSE, FUEL RETURN	3 3A	-----	-----	AC	1	17525-MCS-G00	7123961
	HOSE, FUEL RETURN	3 3A	-----	-----	AC	1	17525-MCS-G01	7216948
		4 4A	-----	-----	A	1	17525-MCS-G01	7216948
6	TUBE, DRAIN	3	-----	3M100705	AC	1	17543-MCS-G01	7366933
		3A	-----	3M100329	AC	1	17543-MCS-G01	7366933
	TUBE, DRAIN	3	3M100706	-----	AC	1	17543-MCS-L00	7681943
		4 4A	-----	-----	A	1	17543-MCS-L00	7681943
		3A	3M100330	-----	AC	1	17543-MCS-L00	7681943
7	TUBE, BREATHER	3	-----	3M100011	AC	1	17544-MCS-L00	7230469
		3A	-----	-----	AC	1	17544-MCS-L00	7230469
		3A	-----	3M100007	AC	1	17544-MCS-L00	7230469
	TUBE, BREATHER	3 3A	-----	-----	AC	1	17544-MCS-L01	7216963
		4 4A	-----	-----	A	1	17544-MCS-L01	7216963
8	TUBE, FUEL JOINT	3 3A	-----	-----	AC	1	17545-MCS-G00	7124001
		4 4A	-----	-----	A	1	17545-MCS-G00	7124001

FUEL TANK

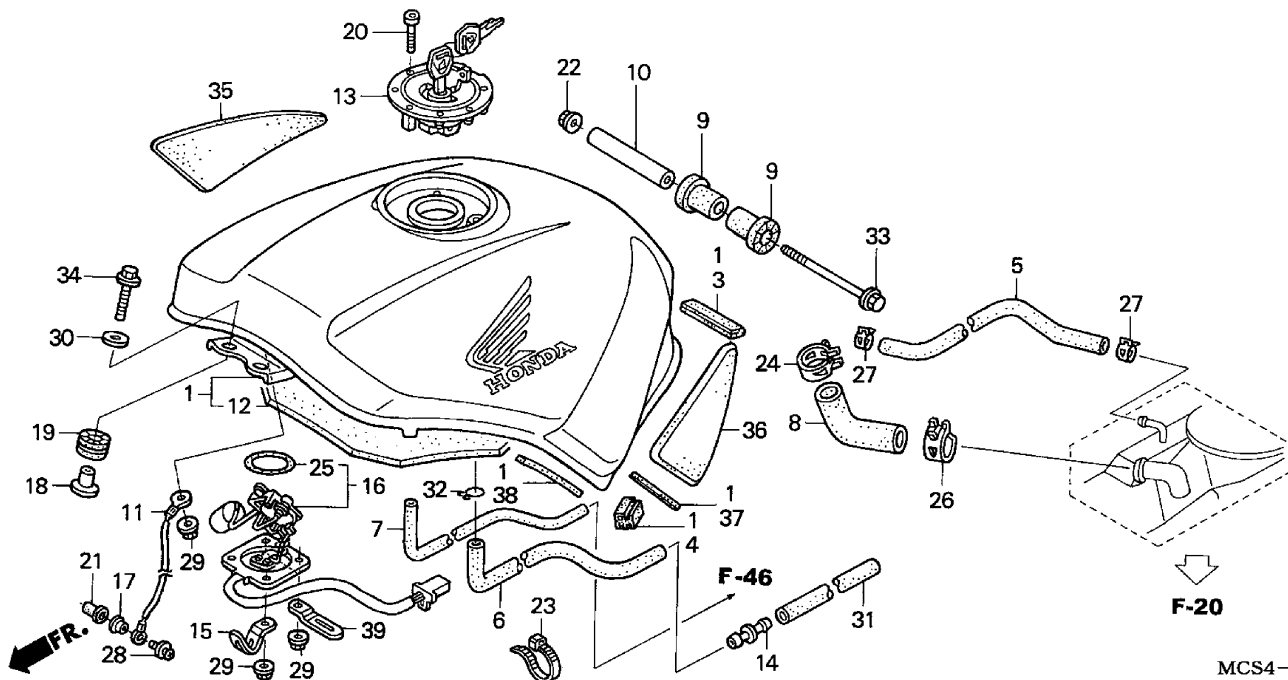
3 =ST1300'03
 3A=ST1300A'03
 4 =ST1300'04
 4A=ST1300A'04

F-19

Frame
Serial Number

Ref	Description	Model	From	To	AREA	QTY	Part Number	H/C
9	CUSHION, RR. FUEL TANK PIVOT	3 3A	-----	-----	AC	2	17548-MCS-G00	7124019
		4 4A	-----	-----	A	2	17548-MCS-G00	7124019
10	COLLAR, TANK SETTING	3 3A	-----	-----	AC	1	17549-MCS-G00	7124027
		4 4A	-----	-----	A	1	17549-MCS-G00	7124027
11	CABLE, FUEL TANK STOPPER	3 3A	-----	-----	AC	1	17575-MCS-G01	7124050
		4 4A	-----	-----	A	1	17575-MCS-G01	7124050
12	MAT, FUEL TANK	3 3A	-----	-----	AC	1	17590-MCS-G00	7124068
		4 4A	-----	-----	A	1	17590-MCS-G00	7124068
13	CAP, FUEL FILLER	3 3A	-----	-----	AC	1	17620-MAS-E02	6512784
		4 4A	-----	-----	A	1	17620-MAS-E02	6512784
14	JOINT, BREATHER TUBE	3 3A	-----	-----	AC	1	17359-419-670	0631325
		4 4A	-----	-----	A	1	17359-419-670	0631325
15	CLIP, SUB-WIRE	3 3A	-----	-----	AC	1	32901-MA1-000	1054113
		4 4A	-----	-----	A	1	32901-MA1-000	1054113
16	FUEL UNIT SET	3 3A	-----	-----	AC	1	37080-MCS-G00	7125537
		4 4A	-----	-----	A	1	37080-MCS-G00	7125537
17	COLLAR, RIVETING	3 3A	-----	-----	AC	1	61102-329-300	0347773
		4 4A	-----	-----	A	1	61102-329-300	0347773
18	COLLAR, SETTING	3 3A	-----	-----	AC	2	61104-422-000	0692202
		4 4A	-----	-----	A	2	61104-422-000	0692202
19	RUBBER, TAILLIGHT SETTING	3 3A	-----	-----	AC	2	84703-425-000	0719229
		4 4A	-----	-----	A	2	84703-425-000	0719229
20	BOLT, SOCKET (4X21)	3 3A	-----	-----	AC	3	90074-MT4-000	3472842
		4 4A	-----	-----	A	3	90074-MT4-000	3472842
21	NUT, COWL SETTING (5MM)	3 3A	-----	-----	AC	1	90111-KW3-003	2909141
		4 4A	-----	-----	A	1	90111-KW3-003	2909141
22	NUT, U (6MM)	3 3A	-----	-----	AC	1	90301-473-003	1187707
		4 4A	-----	-----	A	1	90301-473-003	1187707
23	BAND, WIRE	3 3A	-----	-----	AC	1	90651-KV6-003	2576296
		4 4A	-----	-----	A	1	90651-KV6-003	2576296
24	CLIP, HEATER HOSE (30MM).....	3 3A	-----	-----	AC	1	90661-SL0-A01	3556735
		4 4A	-----	-----	A	1	90661-SL0-A01	3556735
25	O-RING (39.5X5)	3 3A	-----	-----	AC	1	91305-MC7-000	1213214
		4 4A	-----	-----	A	1	91305-MC7-000	1213214
26	CLAMP, TUBE (D23.6).....	3 3A	-----	-----	AC	1	91405-MCS-G00	7129075
		4 4A	-----	-----	A	1	91405-MCS-G00	7129075
27	CLAMP, FUEL HOSE (D10.5)	3 3A	-----	-----	AC	2	91406-SL4-931	3778867
		4 4A	-----	-----	A	2	91406-SL4-931	3778867
28	SCREW-WASHER (5X16)	3 3A	-----	-----	AC	1	93891-05016-00	0751636
		4 4A	-----	-----	A	1	93891-05020-00	1495258

FUEL TANK



MCS4-F1900C

MCS4F1900C

3 =ST1300'03
 3A=ST1300A'03
 4 =ST1300'04
 4A=ST1300A'04

F-19

Frame
 Serial Number

Ref	Description	Model	From	To	AREA	QTY	Part Number	H/C
29	NUT, FLANGE (6MM).....	3 3A	-----	-----	AC	5	94050-06080	0612689
		4 4A	-----	-----	A	5	94050-06080	0612689
30	WASHER, PLAIN (6MM)	3 3A	-----	-----	AC	2	94103-06700	0622324
		4 4A	-----	-----	A	2	94103-06700	0622324
31	BULK HOSE, FUEL (7.5X8000) (7.3X700)	3 3A	-----	-----	AC	1	95001-75008-60M	4260360
		4 4A	-----	-----	A	1	95001-75008-60M	4260360
32	CLIP, TUBE (B12)	3 3A	-----	-----	AC	1	95002-02120	0335034
		4 4A	-----	-----	A	1	95002-02120	0335034
33	BOLT, FLANGE (6X115)	3 3A	-----	-----	AC	1	95701-06115-08	6754188
		4 4A	-----	-----	A	1	95701-06115-08	6754188
34	BOLT, FLANGE (6X28)	3 3A	-----	-----	AC	2	96001-06028-07	2106011
		4 4A	-----	-----	A	2	96001-06028-07	2106011
35	PAD, R. KNEE GRIP	3 3A	-----	-----	AC	1	17506-MCS-G01	7678998
		4 4A	-----	-----	A	1	17506-MCS-G01	7678998
36	PAD, L. KNEE GRIP.....	3 3A	-----	-----	AC	1	17507-MCS-G01	7679012
		4 4A	-----	-----	A	1	17507-MCS-G01	7679012
37	MAT D, HEAT GUARD.....	3 3A	-----	-----	AC	1	64368-MCS-G00	7367253
		4 4A	-----	-----	A	1	64368-MCS-G00	7367253
38	MAT E, HEAT GUARD.....	3 3A	-----	-----	AC	1	64369-MCS-G00	7367261
		4 4A	-----	-----	A	1	64369-MCS-G00	7367261
39	CLAMP A, TUBE	3 3A	-----	-----	AC	1	17522-MCW-D00	6980098

FUEL TANK

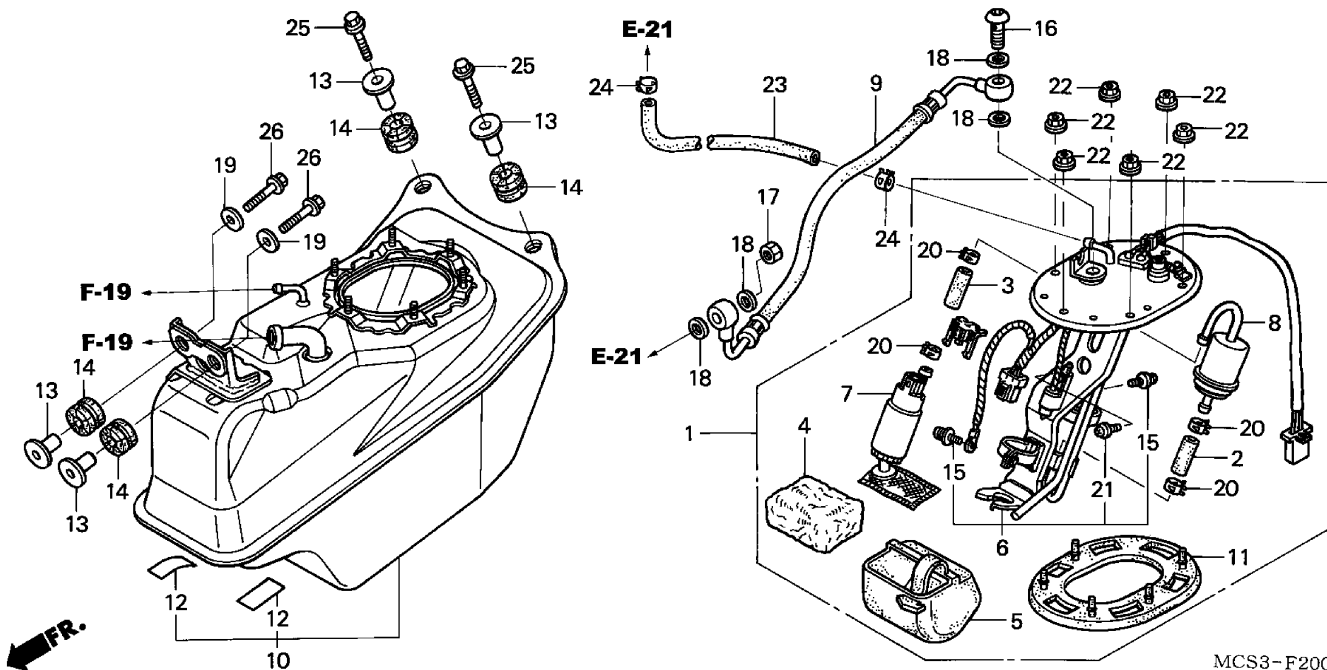
3 =ST1300'03
 3A=ST1300A'03
 4 =ST1300'04
 4A=ST1300A'04

F-19

Frame
Serial Number

Ref	Description	Model	From	To	AREA	QTY	Part Number	H/C
39	CLAMP A, TUBE	4 4A	-----	-----	A	1	17522-MCW-D00	6980098

FUEL PUMP



MCS3-F2000

MCS3F2000

3 =ST1300'03
 3A=ST1300A'03
 4 =ST1300'04
 4A=ST1300A'04

F-20

 Frame
 Serial Number

Ref	Description	Model	From	To	AREA	QTY	Part Number	H/C
1	PUMP ASSY., FUEL.....	3	-----	-----	AC	1	16700-MCS-G00	7123730
		3A	-----	3M100791	AC	1	16700-MCS-G00	7123730
	UNIT ASSY., FUEL PUMP	4 4A	-----	-----	A	1	16700-MCS-G01	7397573
		3A	3M100792	-----	AC	1	16700-MCS-G01	7397573
2	HOSE A, PUMP	3 3A	-----	-----	AC	1	16711-MCS-G00	7123748
		4 4A	-----	-----	A	1	16711-MCS-G00	7123748
3	HOSE B, PUMP	3 3A	-----	-----	AC	1	16712-MAT-D01	6254122
		4 4A	-----	-----	A	1	16712-MAT-D01	6254122
4	FILTER, FUEL RETURN	3 3A	-----	-----	AC	1	16714-MBG-000	5739305
		4 4A	-----	-----	A	1	16714-MBG-000	5739305
5	RUBBER, FUEL PUMP UNIT.....	3	-----	-----	AC	1	16716-MCS-G01	7397581
		4 4A	-----	-----	A	1	16716-MCS-G01	7397581
		3A	3M100792	-----	AC	1	16716-MCS-G01	7397581
	RUBBER, FUEL PUMP UNIT.....	3A	-----	3M100791	AC	1	16716-MCS-G00	7123755
6	STAY, FUEL PUMP	3 3A	-----	-----	AC	1	16720-MCS-G00	7123763
7	PUMP SUB-ASSY., FUEL	3 3A	-----	-----	AC	1	16730-MCS-G00	7123771
8	FILTER, FUEL	3 3A	-----	-----	AC	1	16900-MBG-013	6254148
		4 4A	-----	-----	A	1	16900-MBG-013	6254148
9	HOSE, FUEL FEED	3 3A	-----	-----	AC	1	17528-MCS-G00	7123979
	HOSE, FUEL FEED	3 3A	-----	-----	AC	1	17528-MCS-G01	7216955
		4 4A	-----	-----	A	1	17528-MCS-G01	7216955

FUEL PUMP

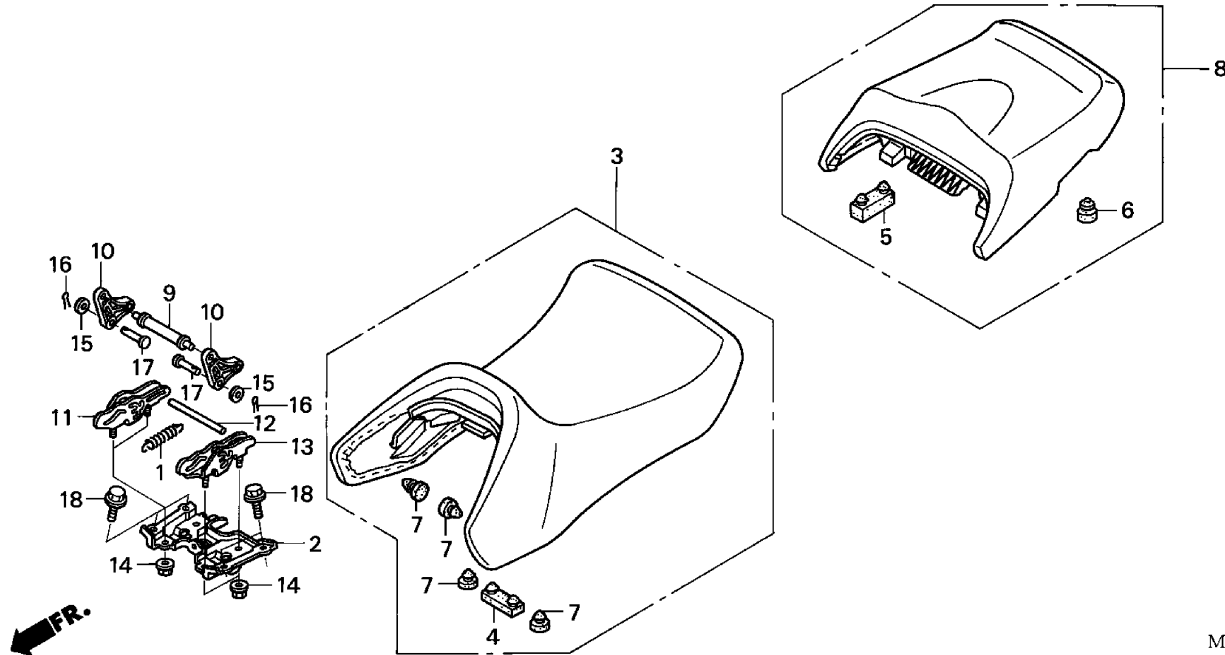
3 =ST1300'03
 3A=ST1300A'03
 4 =ST1300'04
 4A=ST1300A'04

F-20

Frame
Serial Number

Ref	Description	Model	From	To	AREA	QTY	Part Number	H/C
10	TANK, FUEL SUB.....	3 3A	-----	-----	AC	1	17550-MCS-G00	7124035
		4 4A	-----	-----	A	1	17550-MCS-G00	7124035
11	GASKET, BASE	3 3A	-----	-----	AC	1	17574-MN5-000	2803906
		4 4A	-----	-----	A	1	17574-MN5-000	2803906
12	FILM, FRAME PIPE (UPPER)	3 3A	-----	-----	AC	3	50159-KR3-300	2041861
		4 4A	-----	-----	A	3	50159-KR3-300	2041861
13	COLLAR, FR. FENDER	3 3A	-----	-----	AC	4	61104-357-000	0321752
		4 4A	-----	-----	A	4	61104-357-000	0321752
	COLLAR, FR. FENDER	3 3A	-----	-----	AC	4	61104-428-000	0687558
		4 4A	-----	-----	A	4	61104-428-000	0687558
14	RUBBER, RR. FENDER MOUNT.....	3 3A	-----	-----	AC	4	80106-382-770	0471565
		4 4A	-----	-----	A	4	80106-382-770	0471565
15	SCREW-WASHER, LOCK (4X8)	3 3A	-----	-----	AC	2	90105-MBG-000	5742622
		4 4A	-----	-----	A	2	90105-MBG-000	5742622
16	BOLT, BANJO (12MM).....	3 3A	-----	-----	AC	1	90108-MBG-000	5742655
		4 4A	-----	-----	A	1	90108-MBG-000	5742655
17	NUT A, SEALING (12MM)	3 3A	-----	-----	AC	1	90201-PD1-000	1868967
		4 4A	-----	-----	A	1	90201-PD1-000	1868967
18	WASHER, SEALING (12MM).....	3 3A	-----	-----	AC	4	90428-PD6-003	2128429
		4 4A	-----	-----	A	4	90428-PD6-003	2128429
19	WASHER, SPECIAL (6MM)	3 3A	-----	-----	AC	2	90482-567-000	0546895
		4 4A	-----	-----	A	2	90482-567-000	0546895
	WASHER (18MM).....	3 3A	-----	-----	AC	2	90581-701-000	0173823
		4 4A	-----	-----	A	2	90581-701-000	0173823
	WASHER (18MM).....	3 3A	-----	-----	AC	2	90581-831-650	0166454
		4 4A	-----	-----	A	2	90581-831-650	0166454
20	CLAMP, TUBE (D12)	3 3A	-----	-----	AC	4	91405-PD1-004	1869502
		4 4A	-----	-----	A	4	91405-PD1-004	1869502
21	SCREW-WASHER (5X12)	3 3A	-----	-----	AC	1	93893-05012-08	0737841
		4 4A	-----	-----	A	1	93893-05012-08	0737841
22	NUT, FLANGE (6MM).....	3 3A	-----	-----	AC	6	94050-06080	0612689
		4 4A	-----	-----	A	6	94050-06080	0612689
23	BULK HOSE, FUEL (5.5X8000) (5.5X300)	3 3A	-----	-----	AC	1	95001-55008-60M	4260352
		4 4A	-----	-----	A	1	95001-55008-60M	4260352
24	CLIP, TUBE	3 3A	-----	-----	AC	2	95002-41000-08	0660829
		4 4A	-----	-----	A	2	95002-41000-08	0660829
25	BOLT, FLANGE (6X25)	3 3A	-----	-----	AC	2	96001-06025-07	2105997
		4 4A	-----	-----	A	2	96001-06025-07	2105997
26	BOLT, FLANGE (6X32)	3 3A	-----	-----	AC	2	96001-06032-07	2458750
		4 4A	-----	-----	A	2	96001-06032-07	2458750

SEAT



MCS3-F2100

MCS3F2100

3 =ST1300'03
 3A=ST1300A'03
 4 =ST1300'04
 4A=ST1300A'04

F-21

 Frame
 Serial Number

Ref	Description	Model	From	To	AREA	QTY	Part Number	H/C
1	SPRING, BRAKE LOCK CABLE RETURN (B).....	3 3A	-----	-----	AC	1	46510-KJ9-000	1701010
		4 4A	-----	-----	A	1	46510-KJ9-000	1701010
2	PLATE, FR. CROSS.....	3 3A	-----	-----	AC	1	50215-MCS-G00	7126766
		4 4A	-----	-----	A	1	50215-MCS-G00	7126766
3	SEAT, MAIN	3 3A	-----	-----	AC	1	77100-MCS-G00	7127731
		4 4A	-----	-----	A	1	77100-MCS-G00	7127731
4	RUBBER, SEAT SETTING.....	3 3A	-----	-----	AC	1	77204-312-000	0229948
		4 4A	-----	-----	A	1	77204-312-000	0229948
5	RUBBER B, SEAT SETTING	3 3A	-----	-----	AC	2	77205-286-000	0154807
		4 4A	-----	-----	A	2	77205-286-000	0154807
6	RUBBER, SEAT SETTING.....	3 3A	-----	-----	AC	2	77206-GF0-000	1709773
		4 4A	-----	-----	A	2	77206-GF0-000	1709773
7	RUBBER B, SEAT STOPPER	3 3A	-----	-----	AC	4	77215-GC2-000	1451285
		4 4A	-----	-----	A	4	77215-GC2-000	1451285
8	SEAT, PILLION.....	3 3A	-----	-----	AC	1	77300-MCS-G00	7127830
		4 4A	-----	-----	A	1	77300-MCS-G00	7127830
9	BAR, SEAT ADJUSTER.....	3 3A	-----	-----	AC	1	77531-MCS-G00	7127913
		4 4A	-----	-----	A	1	77531-MCS-G00	7127913
10	GUIDE, SEAT ADJUSTER.....	3 3A	-----	-----	AC	2	77533-MCS-G00	7127921
		4 4A	-----	-----	A	2	77533-MCS-G00	7127921

SEAT

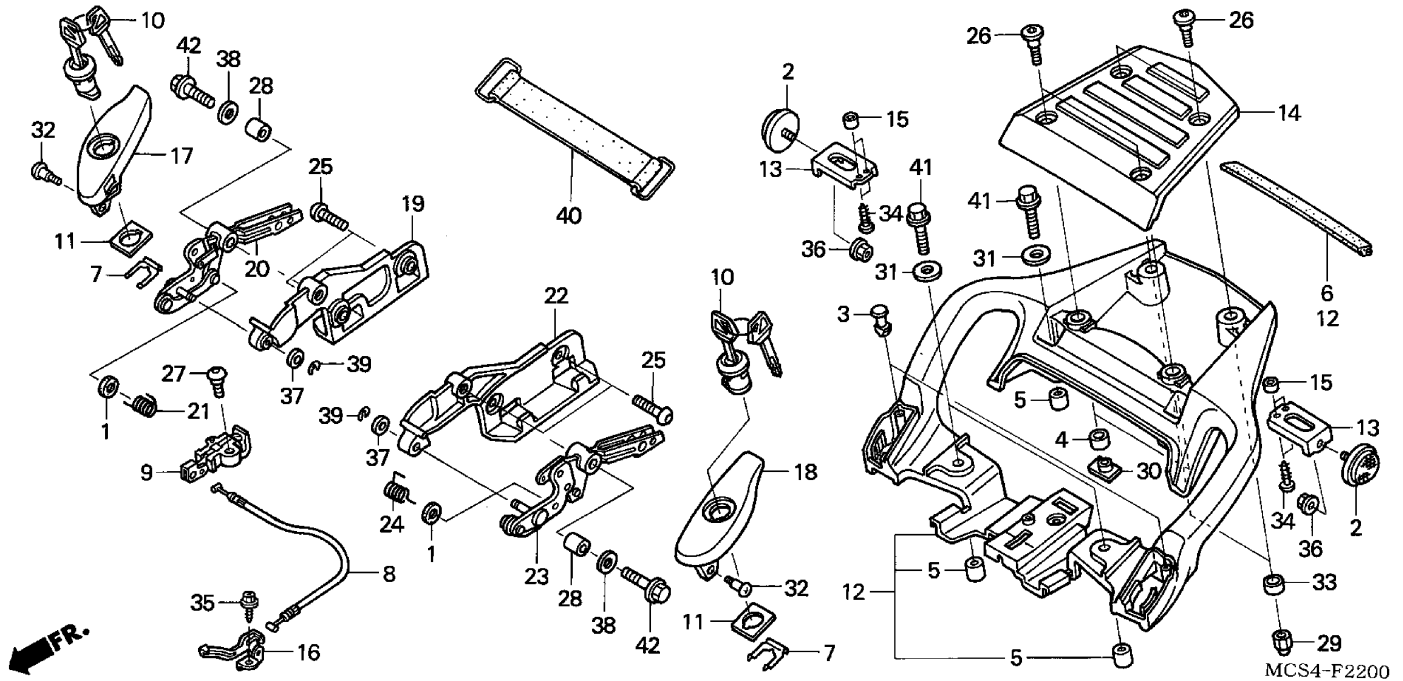
3 =ST1300'03
 3A=ST1300A'03
 4 =ST1300'04
 4A=ST1300A'04

F-21

Frame
Serial Number

Ref	Description	Model	From	To	AREA	QTY	Part Number	H/C
11	BRACKET, R. SEAT ADJUSTER.....	3 3A	-----	-----	AC	1	77534-MCS-G00	7127939
		4 4A	-----	-----	A	1	77534-MCS-G00	7127939
12	PIN, SEAT ADJUSTER HOOK.....	3 3A	-----	-----	AC	1	77536-MCS-G00	7127947
		4 4A	-----	-----	A	1	77536-MCS-G00	7127947
13	BRACKET, L. SEAT ADJUSTER	3 3A	-----	-----	AC	1	77537-MCS-G00	7127954
		4 4A	-----	-----	A	1	77537-MCS-G00	7127954
14	NUT, FLANGE (6MM).....	3 3A	-----	-----	AC	4	94050-06080	0612689
		4 4A	-----	-----	A	4	94050-06080	0612689
15	WASHER, PLAIN (6MM)	3 3A	-----	-----	AC	2	94101-06800	0345900
		4 4A	-----	-----	A	2	94101-06800	0345900
16	PIN, COTTER (1.6X12)	3 3A	-----	-----	AC	2	94201-16120	0251736
		4 4A	-----	-----	A	2	94201-16120	0251736
17	PIN A, PILLION STEP	3 3A	-----	-----	AC	2	95015-81000	0331561
		4 4A	-----	-----	A	2	95015-81000	0331561
18	BOLT, FLANGE (6X10)	3 3A	-----	-----	AC	4	95701-06010-08	2204709
		4 4A	-----	-----	A	4	95701-06010-08	2204709

GRAB RAIL



MCS4-F2200

MCS4F2200

3 =ST1300'03
 3A=ST1300A'03
 4 =ST1300'04
 4A=ST1300A'04

F-22

Frame
 Serial Number

Ref	Description	Model	From	To	AREA	QTY	Part Number	H/C
1	RUBBER, RADIATOR SETTING	3 3A	-----	-----	AC	2	19113-MB1-870	1724160
		4 4A	-----	-----	A	2	19113-MB1-870	1724160
2	REFLECTOR, RR. REFLEX.....	3 3A	-----	-----	AC	2	33741-HB9-641	2898682
		4 4A	-----	-----	A	2	33741-HB9-641	2898682
3	PLUG, HEAD PIPE.....	3 3A	-----	-----	AC	2	50049-046-000	0203133
		4 4A	-----	-----	A	2	50049-046-000	0203133
4	COLLAR (8.3).....	3 3A	-----	-----	AC	2	50618-MN8-000	2900298
		4 4A	-----	-----	A	2	50618-MN8-000	2900298
5	COLLAR, TOP BRIDGE	3 3A	-----	-----	AC	4	53236-171-000	0939389
		4 4A	-----	-----	A	4	53236-171-000	0939389
6	RUBBER, SEAL	3 3A	-----	-----	AC	1	64121-MCS-G00	7127269
		4 4A	-----	-----	A	1	64121-MCS-G00	7127269
7	SPRING, LOCK KEY SETTING	3 3A	-----	-----	AC	2	75581-GN8-920	2908895
		4 4A	-----	-----	A	2	75581-GN8-920	2908895
8	CABLE, SEAT LOCK	3 3A	-----	-----	AC	1	77156-MCS-G00	7127764
		4 4A	-----	-----	A	1	77156-MCS-G00	7127764
9	HOOK, SEAT CATCH	3 3A	-----	-----	AC	1	77220-KY6-000	3471992
		4 4A	-----	-----	A	1	77220-KY6-010	7686165
10	LOCK ASSY., GRAB RAIL LEVER	3 3A	-----	-----	AC	2	77226-MCS-G00	7127798
		4 4A	-----	-----	A	2	77226-MCS-G00	7127798
11	WASHER, SEAT LOCK	3 3A	-----	-----	AC	2	77236-GZ5-000	4059721

GRAB RAIL

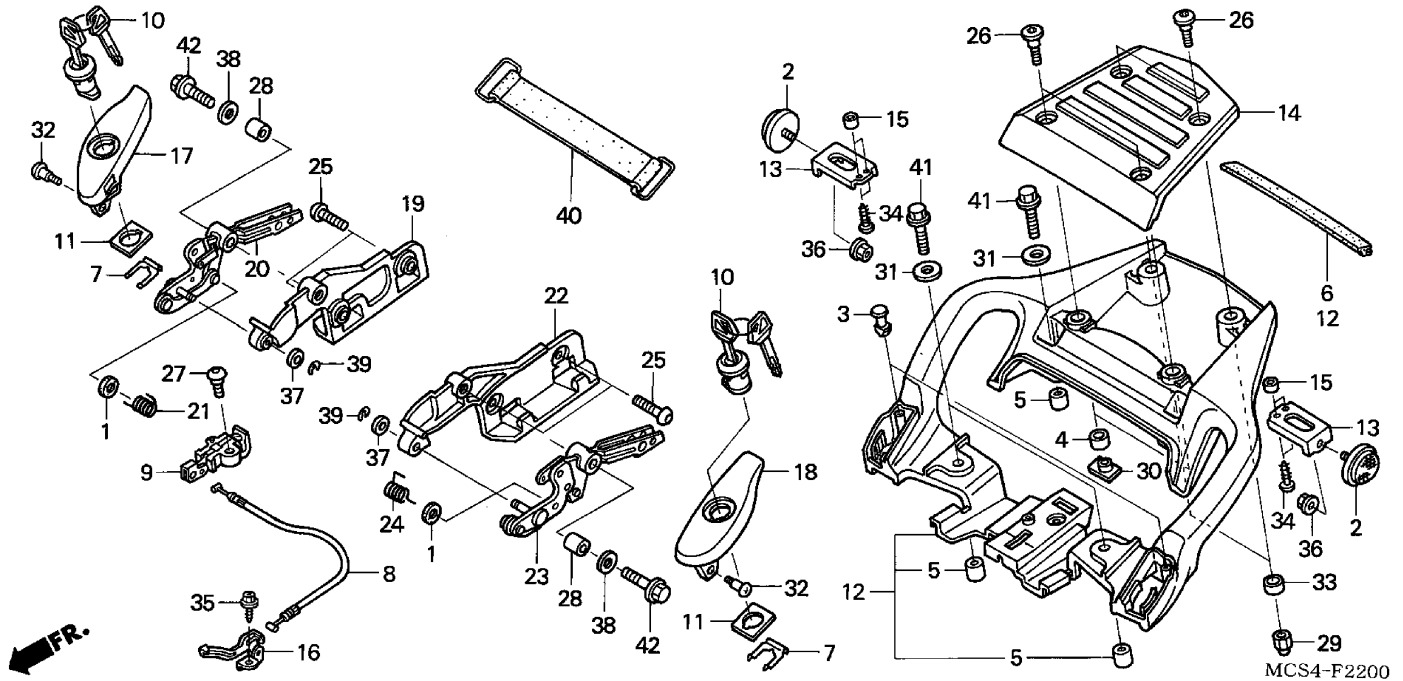
3 =ST1300'03
 3A=ST1300A'03
 4 =ST1300'04
 4A=ST1300A'04

F-22

Frame
Serial Number

Ref	Description	Model	From	To	AREA	QTY	Part Number	H/C
11	WASHER, SEAT LOCK	4 4A	-----	-----	A	2	77236-GZ5-000	4059721
12	GRAB RAIL, RR. *NH295M* (SPARKLING SILVER METALLIC).....	3 3A	-----	-----	AC	1	77310-MCS-770ZA	7127848
		4 4A	-----	-----	A	1	77310-MCS-770ZA	7127848
13	STAY, SIDE REFLECTOR.....	3 3A	-----	-----	AC	2	77312-MCS-770	7127855
		4 4A	-----	-----	A	2	77312-MCS-770	7127855
14	COVER, GRAB RAIL CENTER	3 3A	-----	-----	AC	1	77313-MCS-G00	7127863
		4 4A	-----	-----	A	1	77313-MCS-G00	7127863
15	COLLAR, REFLECTOR	3 3A	-----	-----	AC	4	77316-MCS-770	7127871
		4 4A	-----	-----	A	4	77316-MCS-770	7127871
16	OPENNER, SEAT.....	3 3A	-----	-----	AC	1	77330-MCS-G00	7127889
		4 4A	-----	-----	A	1	77330-MCS-G00	7127889
17	LEVER, R. GRAB RAIL *NH295M* (SPARKLING SILVER METALLIC)	3 3A	-----	-----	AC	1	77340-MCS-G00ZB	7127897
		4 4A	-----	-----	A	1	77340-MCS-G00ZB	7127897
18	LEVER, L. GRAB RAIL *NH295M* (SPARKLING SILVER METALLIC)	3 3A	-----	-----	AC	1	77350-MCS-G00ZB	7127905
		4 4A	-----	-----	A	1	77350-MCS-G00ZB	7127905
19	HOLDER, R. SADDLEBAG	3 3A	-----	-----	AC	1	84240-MCS-G00	7128267
		4 4A	-----	-----	A	1	84240-MCS-G00	7128267
20	LEVER, R. SADDLEBAG LOCK.....	3 3A	-----	-----	AC	1	84260-MCS-G00	7128275
		4 4A	-----	-----	A	1	84260-MCS-G00	7128275
21	SPRING, R. GRAB RAIL LEVER	3 3A	-----	-----	AC	1	84273-MCS-G00	7128283
		4 4A	-----	-----	A	1	84273-MCS-G00	7128283
22	HOLDER, L. SADDLEBAG.....	3 3A	-----	-----	AC	1	84340-MCS-G00	7128291
		4 4A	-----	-----	A	1	84340-MCS-G00	7128291
23	LEVER, L. SADDLEBAG LOCK.....	3 3A	-----	-----	AC	1	84360-MCS-G00	7128309
		4 4A	-----	-----	A	1	84360-MCS-G00	7128309
24	SPRING, L. GRAB RAIL LEVER	3 3A	-----	-----	AC	1	84373-MCS-G00	7128317
		4 4A	-----	-----	A	1	84373-MCS-G00	7128317
25	BOLT, SOCKET (8X22)	3 3A	-----	-----	AC	4	90100-GCT-J50	6621601
		4 4A	-----	-----	A	4	90100-GCT-J50	6621601
26	SCREW, SPECIAL (6X19).....	3 3A	-----	-----	AC	4	90104-MN4-000	2568830
		4 4A	-----	-----	A	4	90104-MN4-000	2568830
27	SCREW, SPECIAL (6MM)	3 3A	-----	-----	AC	1	90106-MBL-610	7128648
		4 4A	-----	-----	A	1	90106-MBL-610	7128648
28	COLLAR, SADDLEBAG HOLDER PIVOT ..	3 3A	-----	-----	AC	2	90123-MCS-G00	7128747
		4 4A	-----	-----	A	2	90123-MCS-G00	7128747
29	NUT, CAP (6MM)	3 3A	-----	-----	AC	2	90201-425-700	2316420
		4 4A	-----	-----	A	2	90201-425-700	2316420
30	NUT, SPECIAL (6X7)	3 3A	-----	-----	AC	2	90303-HA0-680	2380475

GRAB RAIL



MCS4-F2200

MCS4F2200

3 =ST1300'03
 3A=ST1300A'03
 4 =ST1300'04
 4A=ST1300A'04

F-22

Frame
 Serial Number

Ref	Description	Model	From	To	AREA	QTY	Part Number	H/C
30	NUT, SPECIAL (6X7)	4 4A	-----	-----	A	2	90303-HA0-680	2380475
31	WASHER (8.5X20)	3 3A	-----	-----	AC	4	90526-GB0-930	1947019
		4 4A	-----	-----	A	4	90526-GB0-930	1947019
32	SCREW, SPECIAL PAN (5MM)	3 3A	-----	-----	AC	4	91422-KFT-620	7129083
		4 4A	-----	-----	A	4	91422-KFT-620	7129083
33	COLLAR, DISTANCE (8.1X12X9)	3 3A	-----	-----	AC	2	91501-766-000	7129091
		4 4A	-----	-----	A	2	91501-766-000	7129091
34	SCREW-WASHER (4X20)	3 3A	-----	-----	AC	4	93893-04020-07	3473501
		4 4A	-----	-----	A	4	93893-04020-07	3473501
35	SCREW, TAPPING (4X12).....	3 3A	-----	-----	AC	1	93903-24320	0786822
		4 4A	-----	-----	A	1	93903-24320	0786822
36	NUT, FLANGE (6MM).....	3 3A	-----	-----	AC	2	94050-06000	0471623
		4 4A	-----	-----	A	2	94050-06000	0471623
37	WASHER, PLAIN (6MM)	3 3A	-----	-----	AC	2	94101-06000	0059071
		4 4A	-----	-----	A	2	94101-06000	0059071
	WASHER, PLAIN (6MM)	3 3A	-----	-----	AC	2	94101-06080	3136074
		4 4A	-----	-----	A	2	94101-06080	3136074
	WASHER, PLAIN (6MM)	3 3A	-----	-----	AC	2	94101-06800	0345900
		4 4A	-----	-----	A	2	94101-06800	0345900
38	WASHER, PLAIN (8MM)	3 3A	-----	-----	AC	2	94102-08800	0562215
		4 4A	-----	-----	A	2	94102-08800	0562215

GRAB RAIL

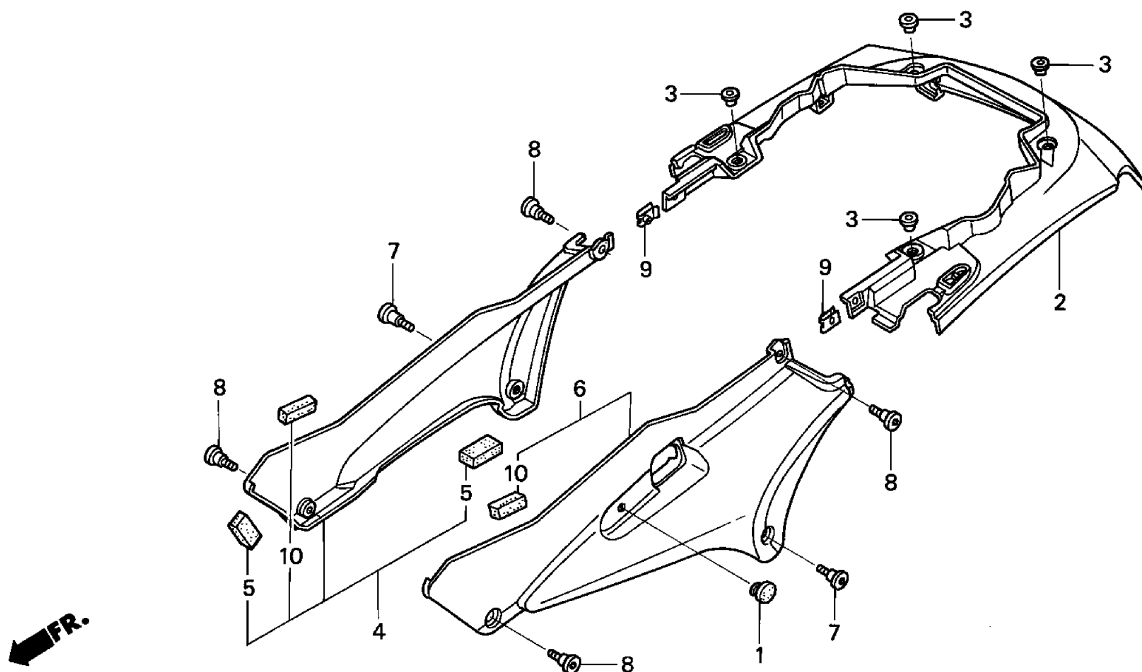
3 =ST1300'03
 3A=ST1300A'03
 4 =ST1300'04
 4A=ST1300A'04

F-22

Frame
Serial Number

Ref	Description	Model	From	To	AREA	QTY	Part Number	H/C
39	E-RING (4MM)	3 3A	-----	-----	AC	2	94540-04010	1834878
		4 4A	-----	-----	A	2	94540-04010	1834878
40	BAND F, BATTERY	3 3A	-----	-----	AC	1	95012-17001	1303544
		4 4A	-----	-----	A	1	95012-17001	1303544
41	BOLT, FLANGE (8X32)	3 3A	-----	-----	AC	4	96300-08032-00	1829985
		4 4A	-----	-----	A	4	96300-08032-00	1829985
42	BOLT, FLANGE (8X32)	3 3A	-----	-----	AC	2	96400-08032-00	1876069
		4 4A	-----	-----	A	2	96400-08032-00	1876069

SIDE COVER • REAR COWL



MCS3-F2300B

MCS3F2300B

3 =ST1300'03
 3A=ST1300A'03
 4 =ST1300'04
 4A=ST1300A'04

F-23

 Frame
 Serial Number

Ref	Description	Model	From	To	AREA	QTY	Part Number	H/C
1	PLUG	3 3A	-----	-----	AC	1	50318-041-600	0210278
		4 4A	-----	-----	A	1	50318-041-600	0210278
2	COWL SET, RR. (TYPE2) (WL)	3 3A	-----	-----	AC	1	77210-MCS-G00ZB	7127780
	COWL SET, RR. (TYPE2) (WL)	3 3A	-----	-----	AC	1	77210-MCS-G01ZB	7217292
	COWL SET, RR. *PB255P* (WL) (PEARL CORONADO BLUE)	4 4A	-----	-----	A	1	77210-MCS-760ZA	7679517
3	COLLAR, RR. COWL SETTING	3 3A	-----	-----	AC	4	77223-MW3-670	3711702
		4 4A	-----	-----	A	4	77223-MW3-670	3711702
4	COVER, R. SIDE *NH478M* (TOWER SILVER METALLIC)	3 3A	-----	-----	AC	1	83600-MCS-G01ZB	7367360
	COVER, R. SIDE *PB255P* (PEARL CORONADO BLUE)	4 4A	-----	-----	A	1	83600-MCS-G01ZE	7679558
5	SEAL, RUBBER	3 3A	-----	-----	AC	2	83605-MCS-G00	7128242
		4 4A	-----	-----	A	2	83605-MCS-G00	7128242
6	COVER, L. SIDE *NH478M* (TOWER SILVER METALLIC)	3 3A	-----	-----	AC	1	83700-MCS-G01ZB	7343148
	COVER, L. SIDE *PB255P* (PEARL CORONADO BLUE)	4 4A	-----	-----	A	1	83700-MCS-G01ZE	7679574
7	SCREW, SPECIAL (6MM)	3 3A	-----	-----	AC	2	90106-MBL-610	7128648
		4 4A	-----	-----	A	2	90106-MBL-610	7128648
8	SCREW, SPECIAL (5X12)	3 3A	-----	-----	AC	4	90106-MBY-000	6092043

SIDE COVER • REAR COWL

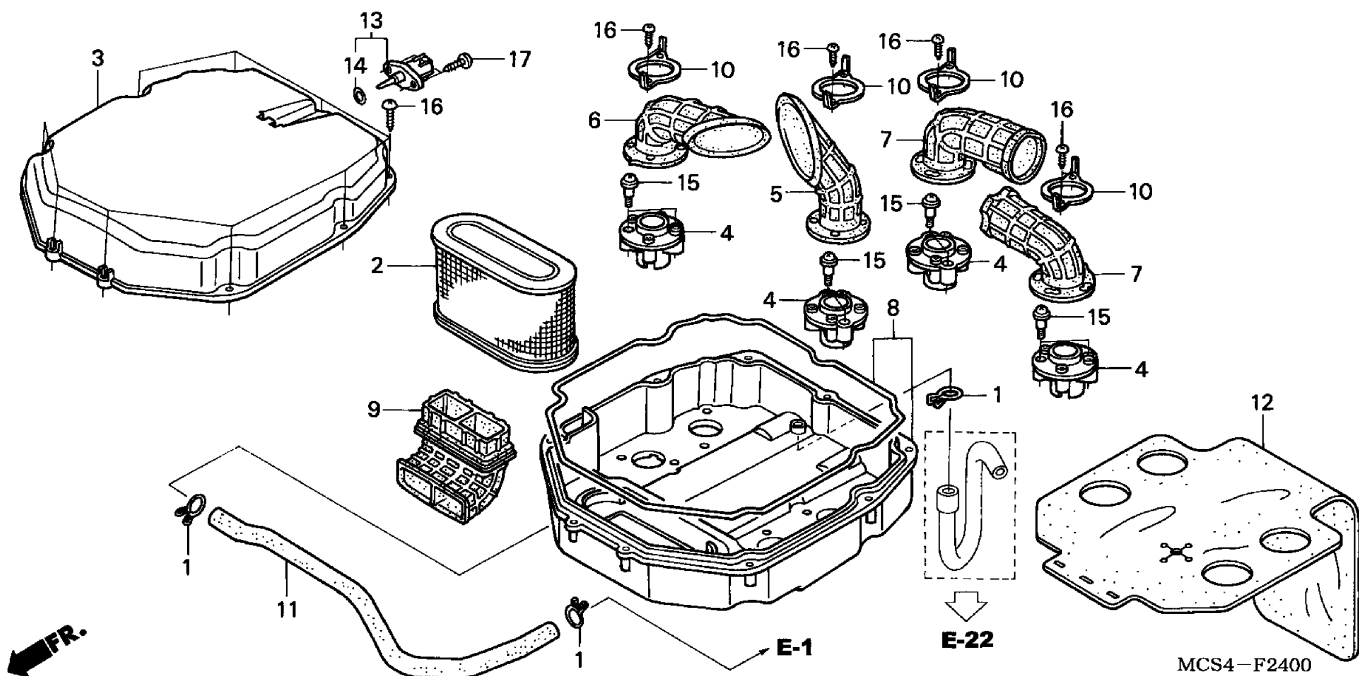
3 =ST1300'03
 3A=ST1300A'03
 4 =ST1300'04
 4A=ST1300A'04

F-23

Frame
Serial Number

Ref	Description	Model	From	To	AREA	QTY	Part Number	H/C
8	SCREW, SPECIAL (5X12)	4 4A	-----	-----	A	4	90106-MBY-000	6092043
9	NUT, CLIP (5MM).....	3 3A	-----	-----	AC	2	90677-KAN-961	5750450
		4 4A	-----	-----	A	2	90677-KAN-961	5750450
10	RUBBER, SIDE COVER.....	3 3A	-----	-----	AC	2	83601-MCS-G00	7367378
		4 4A	-----	-----	A	2	83601-MCS-G00	7367378

AIR CLEANER



MCS4F2400

3 =ST1300'03
 3A=ST1300A'03
 4 =ST1300'04
 4A=ST1300A'04

F-24

 Frame
 Serial Number

Ref	Description	Model	From	To	AREA	QTY	Part Number	H/C
1	CLIP, DRAIN TUBE	3 3A	-----	AC	3	15772-GB5-670	1109503	
		4 4A	-----	A	3	15772-GB5-670	1109503	
2	ELEMENT, AIR CLEANER.....	3 3A	-----	AC	1	17210-MCS-G00	7123797	
		4 4A	-----	A	1	17210-MCS-G00	7123797	
3	COVER, AIR CLEANER.....	3 3A	-----	AC	1	17221-MCS-G00	7123805	
		4 4A	-----	A	1	17221-MCS-G00	7123805	
4	BASE, FUNNEL	3 3A	-----	AC	4	17225-MCS-G00	7123813	
		3 3A	-----	AC	4	17225-MCS-G01	7216906	
		4 4A	-----	A	4	17225-MCS-G01	7216906	
5	FUNNEL, AIR (#1)	3 3A	-----	AC	1	17226-MCS-G00	7123821	
		4 4A	-----	A	1	17226-MCS-G00	7123821	
6	FUNNEL, AIR (#2)	3 3A	-----	AC	1	17227-MCS-G00	7123839	
		4 4A	-----	A	1	17227-MCS-G00	7123839	
7	FUNNEL, AIR & (#3) (#4).....	3 3A	-----	AC	2	17228-MCS-G00	7123847	
		4 4A	-----	A	2	17228-MCS-G00	7123847	
8	HOUSING, AIR CLEANER.....	3 3A	-----	AC	1	17231-MCS-G00	7123854	
		4 4A	-----	A	1	17231-MCS-G00	7123854	
9	DUCT, AIR CLEANER IN.	3 3A	-----	AC	1	17253-MCS-G00	7123862	
		4 4A	-----	A	1	17253-MCS-G00	7123862	
10	PLATE, AIR FUNNEL.....	3 3A	-----	AC	4	17254-MCS-G00	7123870	
		4 4A	-----	A	4	17254-MCS-G00	7123870	

AIR CLEANER

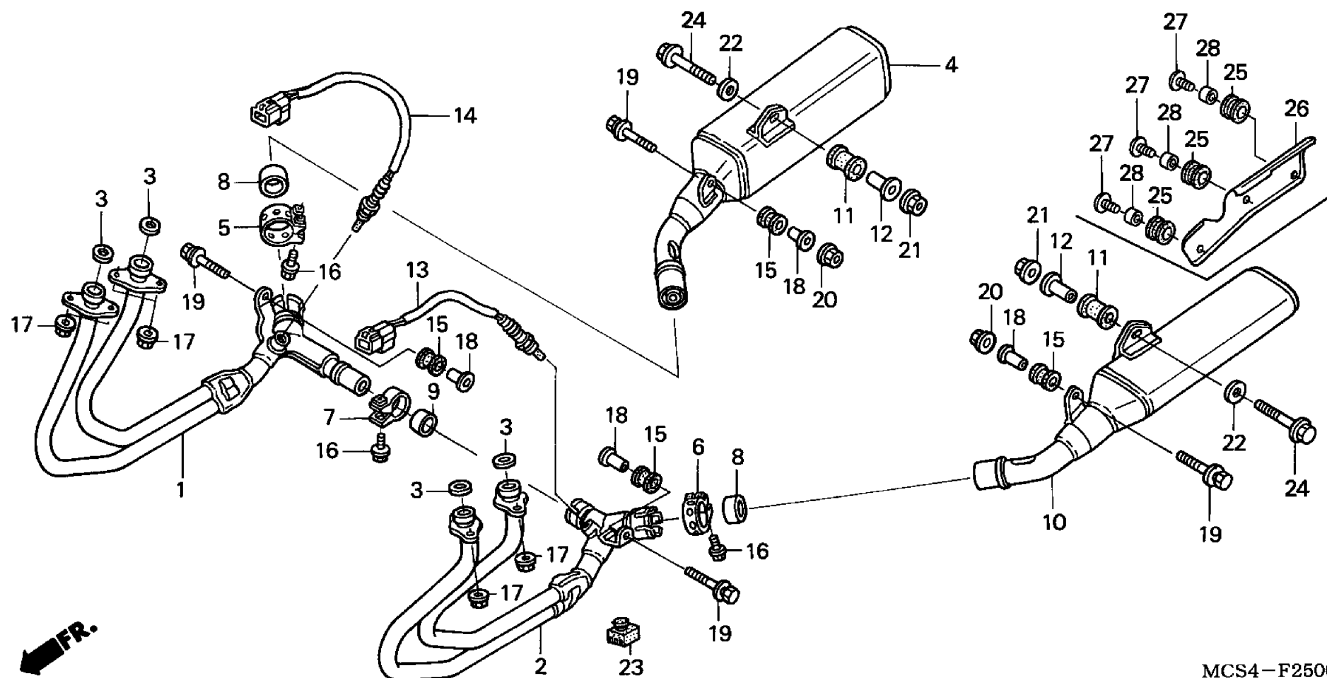
3 =ST1300'03
 3A=ST1300A'03
 4 =ST1300'04
 4A=ST1300A'04

F-24

Frame
Serial Number

Ref	Description	Model	From	To	AREA	QTY	Part Number	H/C
11	TUBE, BREATHER.....	3 3A	-----	-----	AC	1	17365-MCS-G00	7123888
		4 4A	-----	-----	A	1	17365-MCS-G00	7123888
12	RUBBER, HEAT GUARD.....	3 3A	-----	-----	AC	1	19126-MCS-G00	7124241
		4 4A	-----	-----	A	1	19126-MCS-G00	7124241
13	SENSOR ASSY., TA	3 3A	-----	-----	AC	1	37880-P05-A00	3881711
		4 4A	-----	-----	A	1	37880-P05-A00	3881711
14	O-RING (7.5X1.5) (HONDA KIKAKI)	3 3A	-----	-----	AC	1	91303-PK2-005	2684819
		4 4A	-----	-----	A	1	91303-PK2-005	2684819
15	SCREW, PAN (5MM)	3 3A	-----	-----	AC	8	91508-MM5-000	2568954
		4 4A	-----	-----	A	8	91508-MM5-000	2568954
16	SCREW, TAPPING (5X20).....	3 3A	-----	-----	AC	17	93903-25480	1938406
		4 4A	-----	-----	A	17	93903-25480	1938406
17	SCREW, TAPPING (5X16).....	3 3A	-----	-----	AC	2	93911-25420	6128318
		4 4A	-----	-----	A	2	93911-25420	6128318

MUFFLER



MCS4-F2500B

MCS4F2500B

3 =ST1300'03
 3A=ST1300A'03
 4 =ST1300'04
 4A=ST1300A'04

F-25

 Frame
 Serial Number

Ref	Description	Model	From	To	AREA	QTY	Part Number	H/C
1	PIPE, R. EX.	3 3A	-----	-----	AC	1	18150-MCS-G01	7124118
		4 4A	-----	-----	A	1	18150-MCS-G01	7124118
2	PIPE, L. EX.	3 3A	-----	-----	AC	1	18170-MCS-G01	7124126
		4 4A	-----	-----	A	1	18170-MCS-G01	7124126
3	GASKET, EX. PIPE	3 3A	-----	-----	AC	4	18291-MN4-920	2916997
		4 4A	-----	-----	A	4	18291-MN4-920	2916997
4	MUFFLER, R.	3 3A	-----	-----	AC	1	18310-MCS-L01	7124134
		4 4A	-----	-----	A	1	18310-MCS-L01	7124134
5	BAND, R. MUFFLER	3 3A	-----	-----	AC	1	18371-MAT-000	5213459
		4 4A	-----	-----	A	1	18371-MAT-000	5213459
6	BAND, L. MUFFLER	3 3A	-----	-----	AC	1	18372-MAT-000	5213467
		4 4A	-----	-----	A	1	18372-MAT-000	5213467
7	BAND, R. FR. MUFFLER	3 3A	-----	-----	AC	1	18373-413-000	0493908
		4 4A	-----	-----	A	1	18373-413-000	0493908
8	GASKET, MUFFLER	3 3A	-----	-----	AC	2	18391-ML0-003	2540896
		4 4A	-----	-----	A	2	18391-ML0-003	2540896
9	GASKET, MUFFLER	3 3A	-----	-----	AC	1	18392-MK4-000	2575074
		4 4A	-----	-----	A	1	18392-MK4-000	2575074
10	MUFFLER, L.	3 3A	-----	-----	AC	1	18410-MCS-L01	7124142
		4 4A	-----	-----	A	1	18410-MCS-710	7679087
11	RUBBER, MUFFLER SETTING	3 3A	-----	-----	AC	2	18421-MB0-000	1245299

MUFFLER

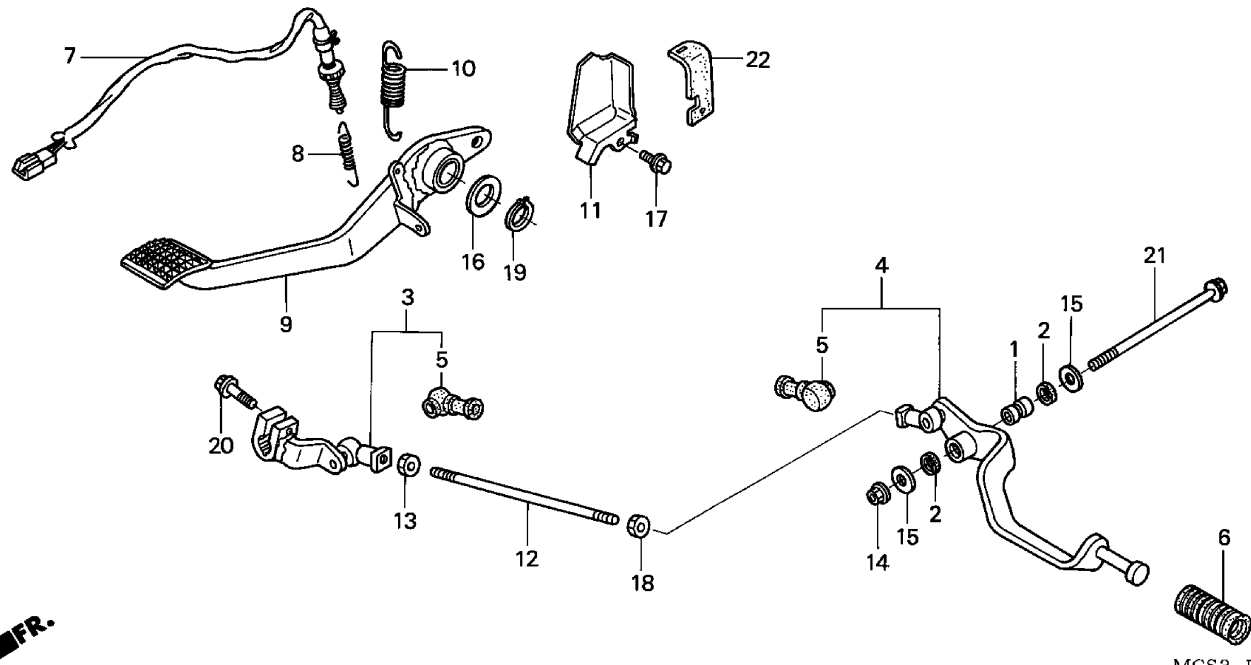
3 =ST1300'03
 3A=ST1300A'03
 4 =ST1300'04
 4A=ST1300A'04

F-25

Frame
Serial Number

Ref	Description	Model	From	To	AREA	QTY	Part Number	H/C
11	RUBBER, MUFFLER MOUNTING	4 4A	-----	-----	A	2	18421-MCS-760	7679095
12	COLLAR, MUFFLER SETTING	3 3A	-----	-----	AC	2	18424-MN5-000	2804193
		4 4A	-----	-----	A	2	18424-MN5-000	2804193
13	SENSOR, OXYGEN (1-3).....	3 3A	-----	-----	AC	1	36531-MCS-G01	7125511
		4 4A	-----	-----	A	1	36531-MCS-G01	7125511
14	SENSOR, OXYGEN (2-4).....	3 3A	-----	-----	AC	1	36532-MCS-G01	7125529
		4 4A	-----	-----	A	1	36532-MCS-G01	7125529
15	RUBBER, SEAT SETTING.....	3 3A	-----	-----	AC	4	77206-MJ0-000	2209112
	RUBBER, EX. PIPE MOUNTING	4 4A	-----	-----	A	4	18422-MCS-760	7679103
16	BOLT, FLANGE (8X35)	3 3A	-----	-----	AC	5	90103-KCM-620	6431357
		4 4A	-----	-----	A	5	90103-KCM-620	6431357
17	NUT, FLANGE (7MM).....	3 3A	-----	-----	AC	8	90304-MM5-000	2551927
		4 4A	-----	-----	A	8	90304-MM5-000	2551927
18	COLLAR (6X14.8)	3 3A	-----	-----	AC	4	90501-438-000	0832014
		4 4A	-----	-----	A	4	90501-438-000	0832014
19	BOLT-WASHER (6X28)	3 3A	-----	-----	AC	4	93404-06028-00	3028214
		4 4A	-----	-----	A	4	93404-06028-00	3028214
20	NUT, FLANGE (6MM).....	3 3A	-----	-----	AC	2	94050-06000	0471623
		4 4A	-----	-----	A	2	94050-06000	0471623
21	NUT, FLANGE (8MM).....	3 3A	-----	-----	AC	2	94050-08000	0481143
		4 4A	-----	-----	A	2	94050-08000	0481143
22	WASHER, PLAIN (8MM)	3 3A	-----	-----	AC	2	94103-08000	0876896
		4 4A	-----	-----	A	2	94103-08000	0876896
23	RUBBER, STAND STOPPER	3 3A	-----	-----	AC	1	50505-GR1-000	2500742
	RUBBER, STAND STOPPER	4 4A	-----	-----	A	1	50505-MCS-760	7679335
24	BOLT, FLANGE (8X45)	3 3A	-----	-----	AC	2	96300-08045-00	2209740
		4 4A	-----	-----	A	2	96300-08045-00	2209740
25	RUBBER, PROTECTOR	4 4A	-----	-----	A	3	18316-KFT-620	6980270
26	COVER, MUFFLER	4 4A	-----	-----	A	1	18345-MCS-760	7679079
27	SCREW, PAN (6X14).....	4 4A	-----	-----	A	3	90118-MR1-000	2866127
28	COLLAR, RR. MUDGUARD.....	4 4A	-----	-----	A	3	90325-197-000	2847283

PEDAL



MCS3-F2600 B
MCS3F2600B

3 =ST1300'03
3A=ST1300A'03
4 =ST1300'04
4A=ST1300A'04

F-26

Frame
Serial Number

Ref	Description	Model	From	To	AREA	QTY	Part Number	H/C
1	COLLAR, GEARSHIFT PEDAL PIVOT	3 3A	-----	-----	AC	1	24705-MK3-000	2012854
		4 4A	-----	-----	A	1	24705-MK3-000	2012854
2	RUBBER, DUST SEAL.....	3 3A	-----	-----	AC	2	24706-MK3-770	2247724
		4 4A	-----	-----	A	2	24706-MK3-770	2247724
3	ARM, GEARSHIFT	3 3A	-----	-----	AC	1	24710-MCS-G00	7124977
		4 4A	-----	-----	A	1	24710-MCS-G00	7124977
4	PEDAL ASSY., GEARSHIFT	3 3A	-----	-----	AC	1	24720-MCS-G00	7124985
		4 4A	-----	-----	A	1	24720-MCS-G00	7124985
5	COVER, DUST	3 3A	-----	-----	AC	2	24724-MBW-D21	6648364
		4 4A	-----	-----	A	2	24724-MBW-D21	6648364
6	RUBBER, CHANGE PEDAL.....	3 3A	-----	-----	AC	1	24781-KR3-770	2252625
		4 4A	-----	-----	A	1	24781-KR3-770	2252625
7	SWITCH ASSY., RR. STOP	3 3A	-----	-----	AC	1	35350-MCS-G00	7125495
		4 4A	-----	-----	A	1	35350-MCS-G00	7125495
8	SPRING, STOP SWITCH.....	3 3A	-----	-----	AC	1	35357-KR3-670	2041143
		4 4A	-----	-----	A	1	35357-KR3-670	2041143
9	PEDAL, RR. BRAKE.....	3 3A	-----	-----	AC	1	46500-MCS-G00	7126691
		4 4A	-----	-----	A	1	46500-MCS-G00	7126691
10	SPRING, BRAKE PEDAL	3 3A	-----	-----	AC	1	46511-MBW-000	7126709
		4 4A	-----	-----	A	1	46511-MBW-000	7126709
11	COVER, RR. STOP SWITCH.....	3 3A	-----	-----	AC	1	50618-MCS-G01	7126931

PEDAL

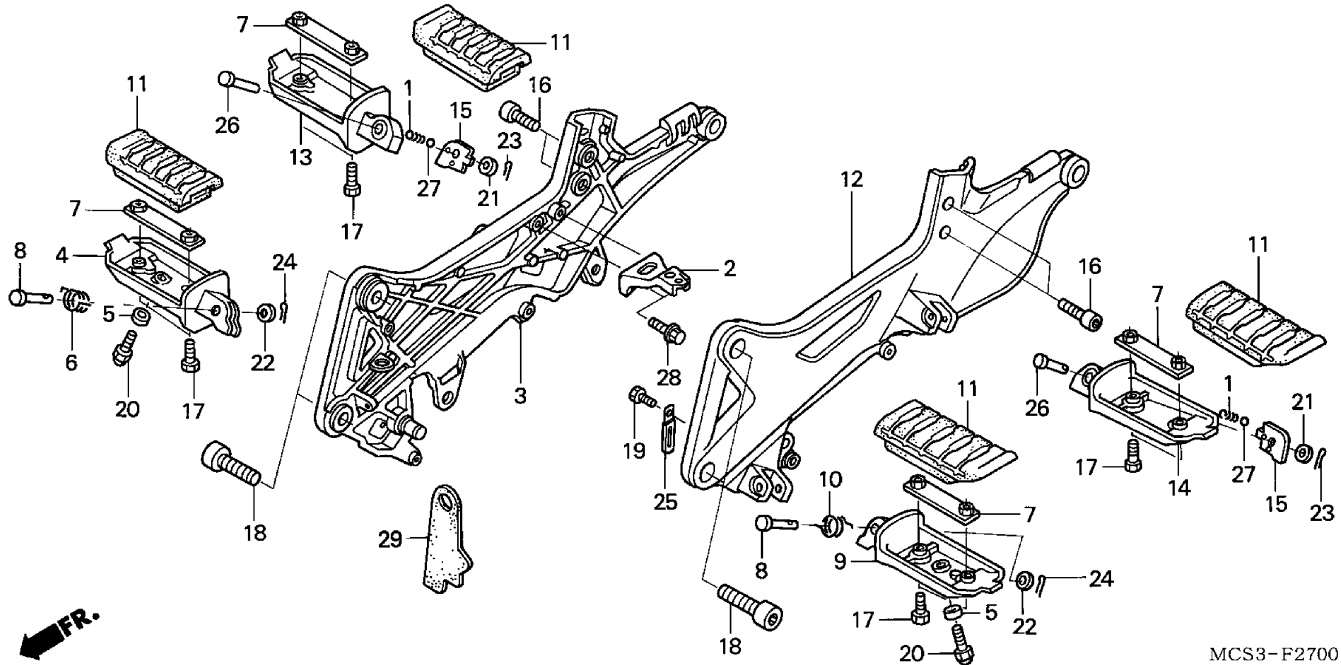
3 =ST1300'03
 3A=ST1300A'03
 4 =ST1300'04
 4A=ST1300A'04

F-26

Frame
Serial Number

Ref	Description	Model	From	To	AREA	QTY	Part Number	H/C
11	COVER, RR. STOP SWITCH.....	4 4A	-----	-----	A	1	50618-MCS-G01	7126931
12	BOLT, TIE ROD	3 3A	-----	-----	AC	1	90065-MCS-G00	7128580
		4 4A	-----	-----	A	1	90065-MCS-G00	7128580
13	NUT, GOVERNOR ARM FIXING	3 3A	-----	-----	AC	1	90201-700-000	0401398
		4 4A	-----	-----	A	1	90201-700-000	0401398
14	NUT, FLANGE (8MM).....	3 3A	-----	-----	AC	1	90301-GCT-J50	7128861
		4 4A	-----	-----	A	1	90301-GCT-J50	7128861
15	WASHER (8MM).....	3	-----	3M100005	AC	1	90514-921-000	0285189
		3	3M100006	-----	AC	2	90514-921-000	0285189
		4 4A	-----	-----	A	2	90514-921-000	0285189
		3A	-----	3M100007	AC	1	90514-921-000	0285189
		3A	3M100008	-----	AC	2	90514-921-000	0285189
16	WASHER (15.2X25).....	3 3A	-----	-----	AC	1	90557-230-000	0137794
		4 4A	-----	-----	A	1	90557-230-000	0137794
17	BOLT, FLANGE (6X12)	3 3A	-----	-----	AC	1	96001-06012-00	2105930
		4 4A	-----	-----	A	1	96001-06012-00	2105930
18	NUT, HEX. (6MM).....	3 3A	-----	-----	AC	1	94002-06020-0S	1237387
		4 4A	-----	-----	A	1	94002-06020-0S	1237387
19	CIRCLIP (OUTER) (15MM)	3 3A	-----	-----	AC	1	94511-15000	0469932
		4 4A	-----	-----	A	1	94511-15000	0469932
20	BOLT, FLANGE (6X20)	3 3A	-----	-----	AC	1	95701-06020-08	2374759
		4 4A	-----	-----	A	1	95701-06020-08	2374759
21	BOLT, FLANGE (8X110)	3 3A	-----	-----	AC	1	95701-08110-08	2891059
		4 4A	-----	-----	A	1	95701-08110-08	2891059
22	RUBBER, RR. BRAKE GUARD	3 3A	-----	-----	AC	1	46506-MCS-G00	7217193
		4 4A	-----	-----	A	1	46506-MCS-G00	7217193

STEP



MCS3-F2700 A

MCS3F2700A

3 =ST1300'03
 3A=ST1300A'03
 4 =ST1300'04
 4A=ST1300A'04

F-27

Frame
 Serial Number

Ref	Description	Model	From	To	AREA	QTY	Part Number	H/C
1	SPRING, KICK STARTER STOPPER	3 3A	-----	-----	AC	2	28333-300-000	0193763
		4 4A	-----	-----	A	2	28333-300-000	0193763
2	STAY, BATTERY	3 3A	-----	-----	AC	1	50325-MCS-G00	7126832
		4 4A	-----	-----	A	1	50325-MCS-G00	7126832
3	HOLDER, R. MAIN STEP *NH146M* (ACCURATE SILVER METALLIC)	3 3A	-----	-----	AC	1	50600-MCS-G01ZA	7126923
		4 4A	-----	-----	A	1	50600-MCS-G01ZA	7126923
4	ARM, R. STEP	3 3A	-----	-----	AC	1	50612-MT3-000	3486065
		4 4A	-----	-----	A	1	50612-MT3-000	3486065
5	COLLAR (5.0)	3 3A	-----	-----	AC	2	50613-MT3-000	3486073
		4 4A	-----	-----	A	2	50613-MT3-000	3486073
6	SPRING, R. STEP RETURN	3 3A	-----	-----	AC	1	50617-MM5-000	2543296
		4 4A	-----	-----	A	1	50617-MM5-000	2543296
7	PLATE, STEP SETTING	3 3A	-----	-----	AC	4	50619-MT3-000	3486081
		4 4A	-----	-----	A	4	50619-MT3-000	3486081
8	PIN, STEP BAR	3 3A	-----	-----	AC	2	50639-MLO-010	3375532
		4 4A	-----	-----	A	2	50639-MLO-010	3375532
9	ARM, L. STEP	3 3A	-----	-----	AC	1	50642-MT3-000	3486099
		4 4A	-----	-----	A	1	50642-MT3-000	3486099
10	SPRING, L. STEP RETURN	3 3A	-----	-----	AC	1	50644-MM5-000	2543346
		4 4A	-----	-----	A	1	50644-MM5-000	2543346

STEP

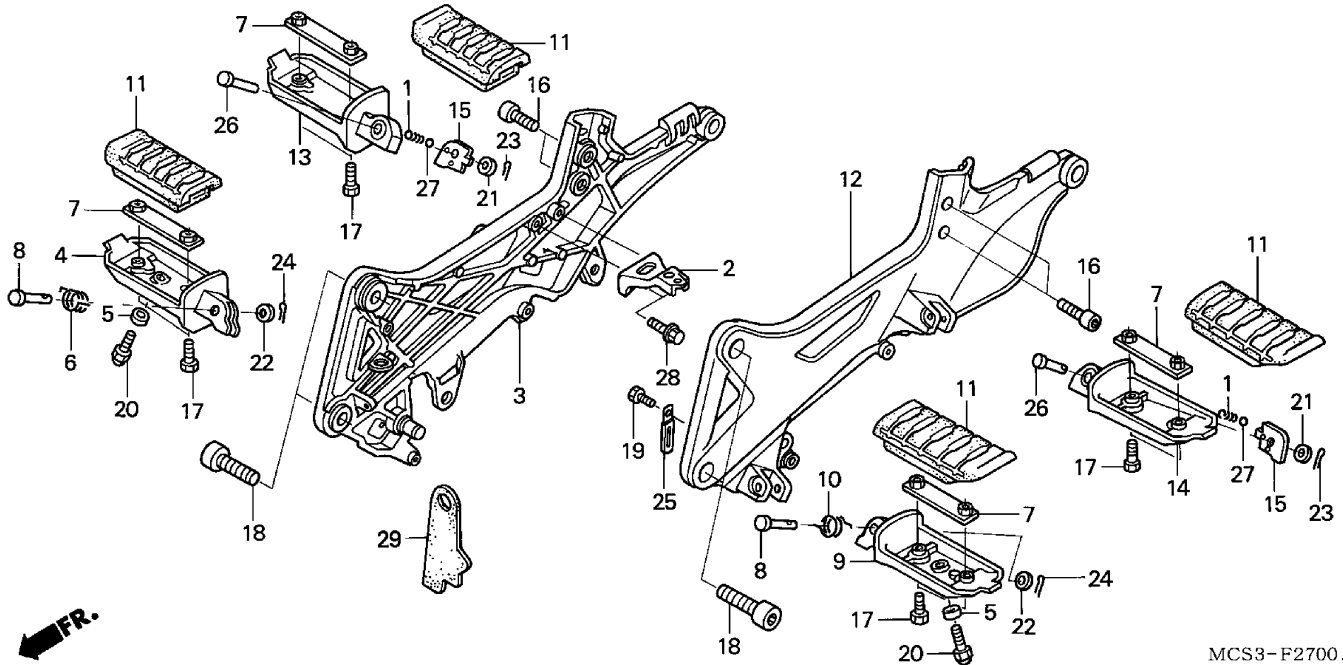
3 =ST1300'03
 3A=ST1300A'03
 4 =ST1300'04
 4A=ST1300A'04

F-27

Frame
Serial Number

Ref	Description	Model	From	To	AREA	QTY	Part Number	H/C
11	RUBBER, STEP	3 3A	-----	-----	AC	4	50661-MT3-000	3486107
		4 4A	-----	-----	A	4	50661-MT3-000	3486107
12	HOLDER, L. MAIN STEP *NH146M* (ACCURATE SILVER METALLIC).....	3 3A	-----	-----	AC	1	50700-MCS-G00ZA	7126949
		4 4A	-----	-----	A	1	50700-MCS-G00ZA	7126949
13	BAR, R. PILLION STEP	3 3A	-----	-----	AC	1	50711-MT3-010	7126956
		4 4A	-----	-----	A	1	50711-MT3-010	7126956
14	BAR, L. PILLION STEP	3 3A	-----	-----	AC	1	50712-MT3-010	7126964
		4 4A	-----	-----	A	1	50712-MT3-010	7126964
15	PLATE, PILLION STEP CLICK.....	3 3A	-----	-----	AC	2	50718-MT3-000	3486149
		4 4A	-----	-----	A	2	50718-MT3-000	3486149
16	BOLT, SOCKET (10X23)	3 3A	-----	-----	AC	4	90105-KAF-000	3117751
		4 4A	-----	-----	A	4	90105-KAF-000	3117751
17	BOLT, MAIN STEP RUBBER SETTING	3 3A	-----	-----	AC	8	90115-MT3-000	3487857
		4 4A	-----	-----	A	8	90115-MT3-000	3487857
18	BOLT, SOCKET (12X34)	3 3A	-----	-----	AC	4	90127-MCS-G00	7128770
		4 4A	-----	-----	A	4	90127-MCS-G00	7128770
19	BOLT, HEX. (4X10)	3 3A	-----	-----	AC	1	92101-04010-0A	7129109
		4 4A	-----	-----	A	1	92101-04010-0A	7129109
20	BOLT, CAP (8X16).....	3 3A	-----	-----	AC	2	92501-08016-0A	3488244
		4 4A	-----	-----	A	2	92501-08016-0A	3488244
21	WASHER, PLAIN (6MM)	3 3A	-----	-----	AC	2	94101-06000	0059071
		4 4A	-----	-----	A	2	94101-06000	0059071
	WASHER, PLAIN (6MM)	3 3A	-----	-----	AC	2	94101-06080	3136074
		4 4A	-----	-----	A	2	94101-06080	3136074
	WASHER, PLAIN (6MM)	3 3A	-----	-----	AC	2	94101-06800	0345900
		4 4A	-----	-----	A	2	94101-06800	0345900
22	WASHER, PLAIN (8MM)	3 3A	-----	-----	AC	2	94101-08000	0059097
		4 4A	-----	-----	A	2	94101-08000	0059097
23	PIN, COTTER (1.6X12)	3 3A	-----	-----	AC	2	94201-16120	0251736
		4 4A	-----	-----	A	2	94201-16120	0251736
24	PIN, COTTER (2.0X15)	3 3A	-----	-----	AC	2	94201-20150	0058347
		4 4A	-----	-----	A	2	94201-20150	0058347
25	CLIP (2X50)	3 3A	-----	-----	AC	1	94591-25000	0649822
		4 4A	-----	-----	A	1	94591-25000	0649822
26	PIN C, PILLION FOOTPEG	3 3A	-----	-----	AC	2	95015-83000	0274118
		4 4A	-----	-----	A	2	95015-83000	0274118
27	BALL, STEEL (#8) (1/4)	3 3A	-----	-----	AC	2	96211-08000	0079905
		4 4A	-----	-----	A	2	96211-08000	0079905
28	BOLT, FLANGE (6X16)	3 3A	-----	-----	AC	2	96300-06016-00	1829886
		4 4A	-----	-----	A	2	96300-06016-00	1829886

STEP



MCS3-F2700 A

MCS3F2700A

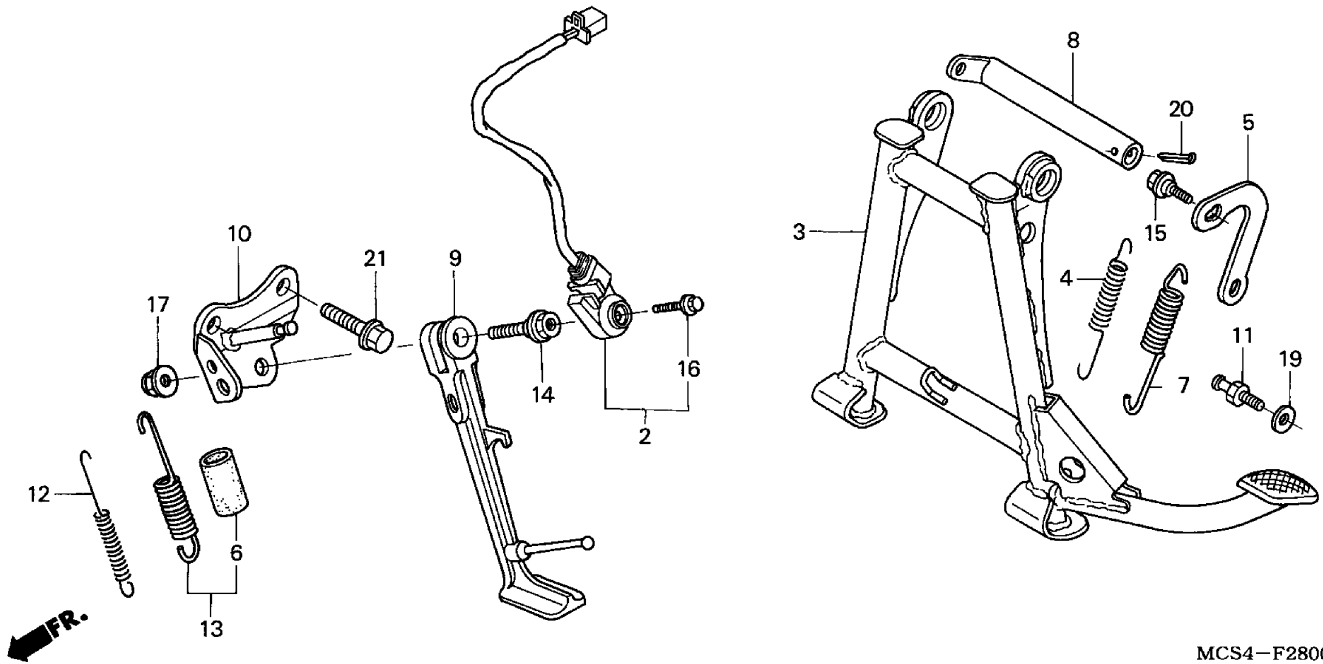
3 =ST1300'03
 3A=ST1300A'03
 4 =ST1300'04
 4A=ST1300A'04

F-27

Frame
 Serial Number

Ref	Description	Model	From	To	AREA	QTY	Part Number	H/C
29	RUBBER A, R. HEAT	3 3A	-----	-----	AC	1	64361-MCS-G00	7367188
		4 4A	-----	-----	A	1	64361-MCS-G00	7367188

STAND



MCS4-F2800

MCS4F2800

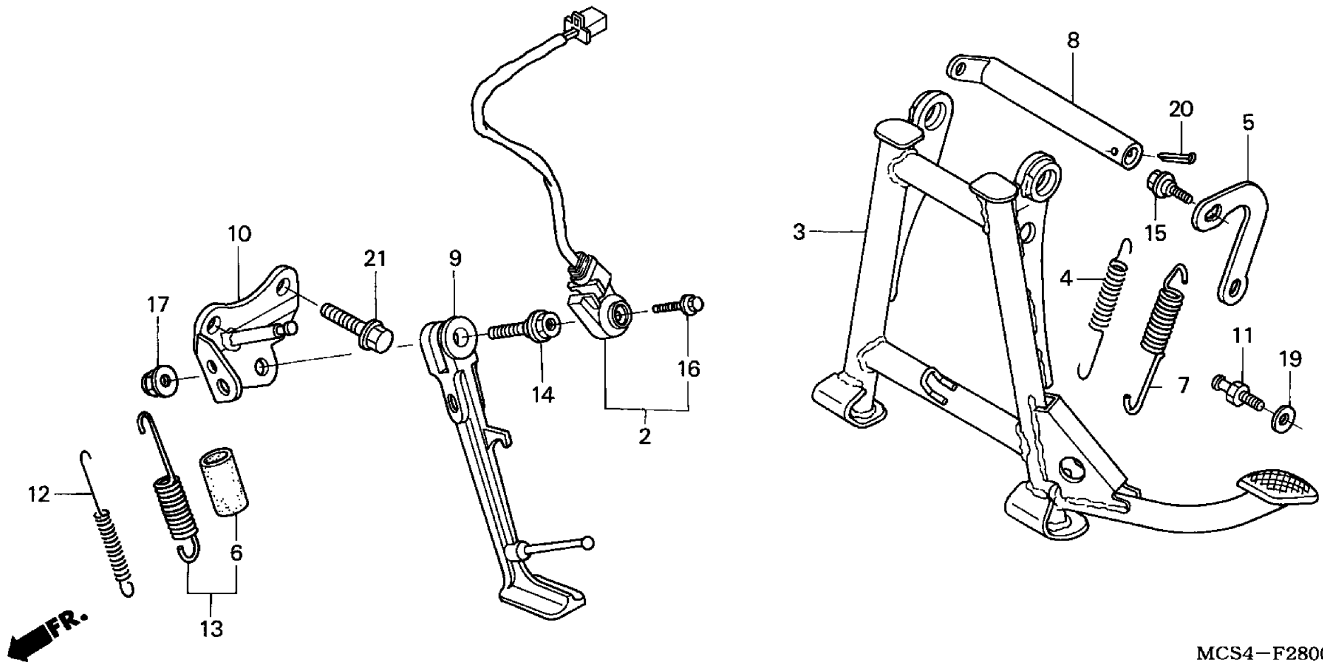
3 =ST1300'03
 3A=ST1300A'03
 4 =ST1300'04
 4A=ST1300A'04

F-28

Frame
 Serial Number

Ref	Description	Model	From	To	AREA	QTY	Part Number	H/C
2	SWITCH SET, SIDE STAND	3 3A	-----	-----	AC	1	35070-MCS-G00	7125446
		4 4A	-----	-----	A	1	35070-MCS-G00	7125446
3	STAND, MAIN.....	3 3A	-----	-----	AC	1	50500-MCS-G01	7126857
		4 4A	-----	-----	A	1	50500-MCS-G01	7126857
4	SPRING B, MAIN STAND	3 3A	-----	-----	AC	1	50520-MCA-000	7126865
		4 4A	-----	-----	A	1	50520-MCA-000	7126865
5	PLATE, MAIN STAND SPRING	3 3A	-----	-----	AC	1	50520-MCS-G00	7126873
		4 4A	-----	-----	A	1	50520-MCS-G00	7126873
6	TUBE (19X23)	3 3A	-----	-----	AC	1	50523-MM4-000	2620938
		4 4A	-----	-----	A	1	50523-MM4-000	2620938
7	SPRING A, MAIN STAND	3 3A	-----	-----	AC	1	50525-MCA-000	6620280
		4 4A	-----	-----	A	1	50525-MCA-000	6620280
8	PIPE, MAIN STAND PIVOT	3 3A	-----	-----	AC	1	50526-MCS-G01	7679343
		4 4A	-----	-----	A	1	50526-MCS-G01	7679343
9	BAR, SIDE STAND.....	3 3A	-----	-----	AC	1	50530-MCS-G00	7126899
		4 4A	-----	-----	A	1	50530-MCS-G00	7126899
10	BRACKET, SIDE STAND	3 3A	-----	-----	AC	1	50535-MCS-G00	7126907
		4 4A	-----	-----	A	1	50535-MCS-G00	7126907
11	HOOK, MAIN STAND SPRING	3 3A	-----	-----	AC	1	50538-ML7-000	2406569
		4 4A	-----	-----	A	1	50538-ML7-000	2406569
12	SUB-SPRING, SIDE STAND	3 3A	-----	-----	AC	1	50542-MZ1-610	6101398

STAND



MCS4-F2800

MCS4F2800

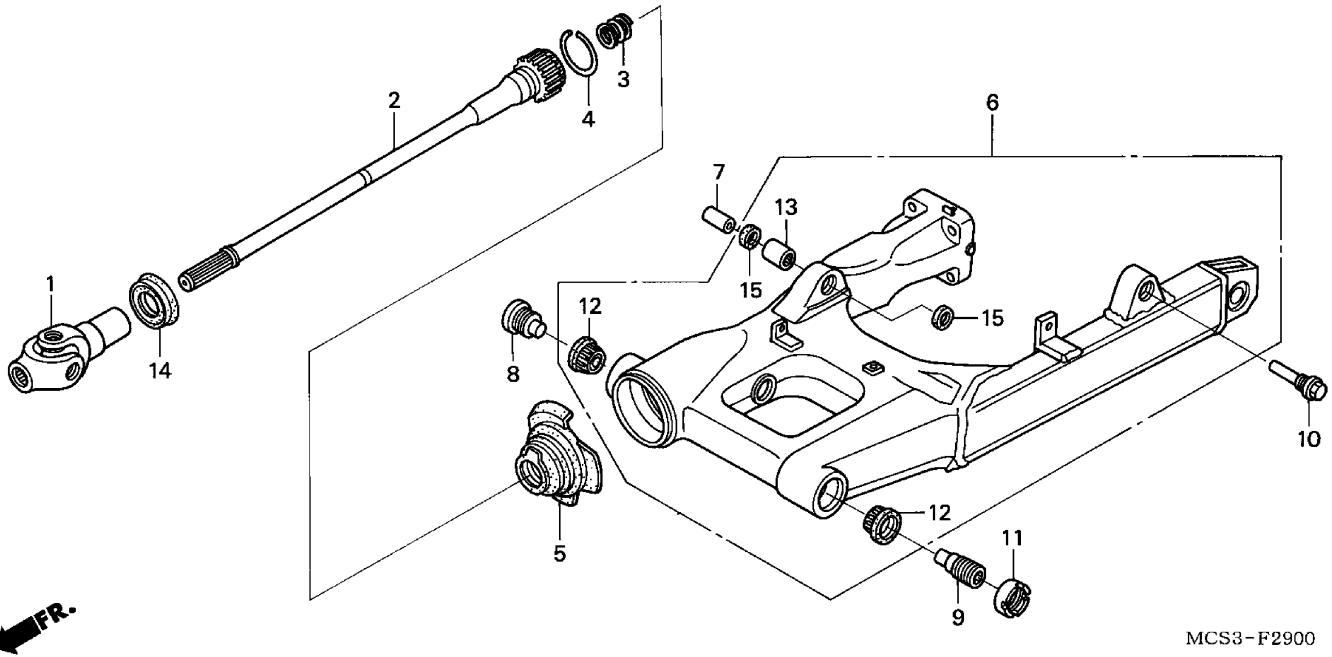
3 =ST1300'03
 3A=ST1300A'03
 4 =ST1300'04
 4A=ST1300A'04

F-28

Frame
 Serial Number

Ref	Description	Model	From	To	AREA	QTY	Part Number	H/C
12	SUB-SPRING, SIDE STAND	4 4A	-----	-----	A	1	50542-MZ1-610	6101398
13	SPRING ASSY., SIDE STAND.....	3 3A	-----	-----	AC	1	50543-MZ1-610	7126915
		4 4A	-----	-----	A	1	50543-MZ1-610	7126915
14	BOLT, SIDE STAND PIVOT	3 3A	-----	-----	AC	1	90108-MK6-670	3106895
		4 4A	-----	-----	A	1	90108-MK6-670	3106895
15	BOLT, MAIN STAND PIVOT (6X15).....	3 3A	-----	-----	AC	1	90120-MCS-G00	7128713
		4 4A	-----	-----	A	1	90120-MCS-G00	7128713
16	BOLT, SPECIAL (6X16)	3 3A	-----	-----	AC	1	90147-MCE-950	7332737
		4 4A	-----	-----	A	1	90147-MCE-950	7332737
17	NUT, SIDE STAND.....	3 3A	-----	-----	AC	1	90203-MF9-710	2544781
		4 4A	-----	-----	A	1	90203-MF9-710	2544781
19	WASHER, FLAT (8MM)	3 3A	-----	-----	AC	1	94101-08700	0313262
		4 4A	-----	-----	A	1	94101-08700	0313262
20	PIN, COTTER (2.5X28)	3 3A	-----	-----	AC	1	94201-25280	0928135
		4 4A	-----	-----	A	1	94201-25280	0928135
21	BOLT, FLANGE (10X30)	3 3A	-----	-----	AC	2	95701-10030-07	7129133
		4 4A	-----	-----	A	2	95701-10030-07	7129133

SWINGARM



MCS3-F2900

MCS3F2900

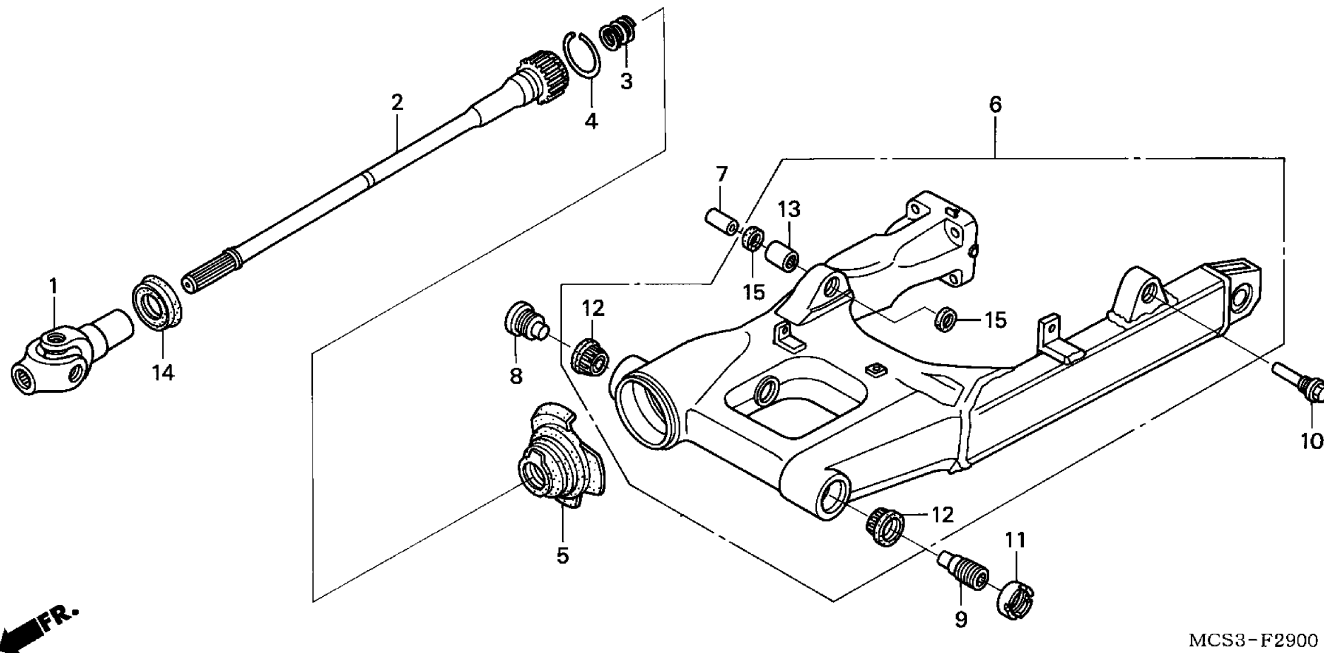
3 =ST1300'03
 3A=ST1300A'03
 4 =ST1300'04
 4A=ST1300A'04

F-29

Frame
 Serial Number

Ref	Description	Model	From	To	AREA	QTY	Part Number	H/C
1	JOINT, YOKE	3 3A	-----	-----	AC	1	40200-MCS-G00	7125834
		4 4A	-----	-----	A	1	40200-MCS-G00	7125834
2	SHAFT, PROPELLER	3 3A	-----	-----	AC	1	40201-MCS-G00	7125842
		4 4A	-----	-----	A	1	40201-MCS-G00	7125842
3	SPRING, PROPELLER SHAFT	3 3A	-----	-----	AC	1	40215-MCS-G00	7125859
		4 4A	-----	-----	A	1	40215-MCS-G00	7125859
4	RING, STOPPER	3 3A	-----	-----	AC	1	40221-MB0-000	1247451
		4 4A	-----	-----	A	1	40221-MB0-000	1247451
5	BOOT, JOINT	3 3A	-----	-----	AC	1	52104-MCS-G00	7127095
		4 4A	-----	-----	A	1	52104-MCS-G00	7127095
6	SWINGARM SUB-ASSY., RR.	3	-----	-----	AC	1	52200-MCS-610	7127111
		4	-----	-----	A	1	52200-MCS-610	7127111
	SWINGARM SUB-ASSY., RR.	3A	-----	-----	AC	1	52200-MCS-G00	7127103
		4A	-----	-----	A	1	52200-MCS-G00	7127103
7	COLLAR, SHOCK CONNECTING ROD	3 3A	-----	-----	AC	1	52463-MAL-G00	5289970
		4 4A	-----	-----	A	1	52463-MAL-G00	5289970
8	BOLT, R. SWINGARM PIVOT	3 3A	-----	-----	AC	1	90121-MCS-G03	7646532
		4 4A	-----	-----	A	1	90121-MCS-G03	7646532
9	BOLT, L. SWINGARM PIVOT	3	-----	3M100005	AC	1	90122-MCS-G00	7128739
		3A	-----	3M100007	AC	1	90122-MCS-G00	7128739
	BOLT, L. SWINGARM PIVOT	3 3A	-----	-----	AC	1	90122-MCS-G01	7217441

SWINGARM



3 =ST1300'03
 3A=ST1300A'03
 4 =ST1300'04
 4A=ST1300A'04

F-29

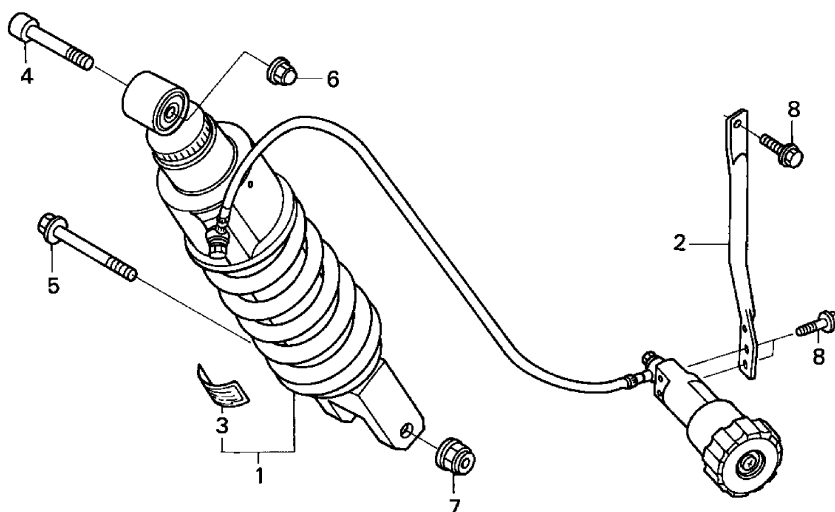
 Frame
 Serial Number

MCS3-F2900

MCS3F2900

Ref	Description	Model	From	To	AREA	QTY	Part Number	H/C
9	BOLT, L. SWINGARM PIVOT	4 4A	-----	-----	A	1	90122-MCS-G01	7217441
10	BOLT, BRAKE STOPPER	3 3A	-----	-----	AC	1	90158-MZO-000	5041439
		4 4A	-----	-----	A	1	90158-MZO-000	5041439
11	NUT, SWINGARM PIVOT	3 3A	-----	-----	AC	1	90355-MCS-G00	7128887
		4 4A	-----	-----	A	1	90355-MCS-G00	7128887
12	BEARING, TAPER ROLLER (25X47X15) ..	3 3A	-----	-----	AC	2	91066-MCA-003	6622377
		4 4A	-----	-----	A	2	91066-MCA-003	6622377
13	BEARING, NEEDLE (KOYO)	3 3A	-----	-----	AC	1	91071-KV3-005	2909323
		4 4A	-----	-----	A	1	91071-KV3-005	2909323
14	OIL SEAL (27X43X7)	3 3A	-----	-----	AC	1	91261-ME9-005	1371194
		4 4A	-----	-----	A	1	91261-ME9-005	1371194
15	DUST SEAL (17X24X5) (ARAI)	3 3A	-----	-----	AC	2	91262-KV3-831	3699246
		4 4A	-----	-----	A	2	91262-KV3-831	3699246

REAR CUSHION



MCS4-F3000

MCS4F3000

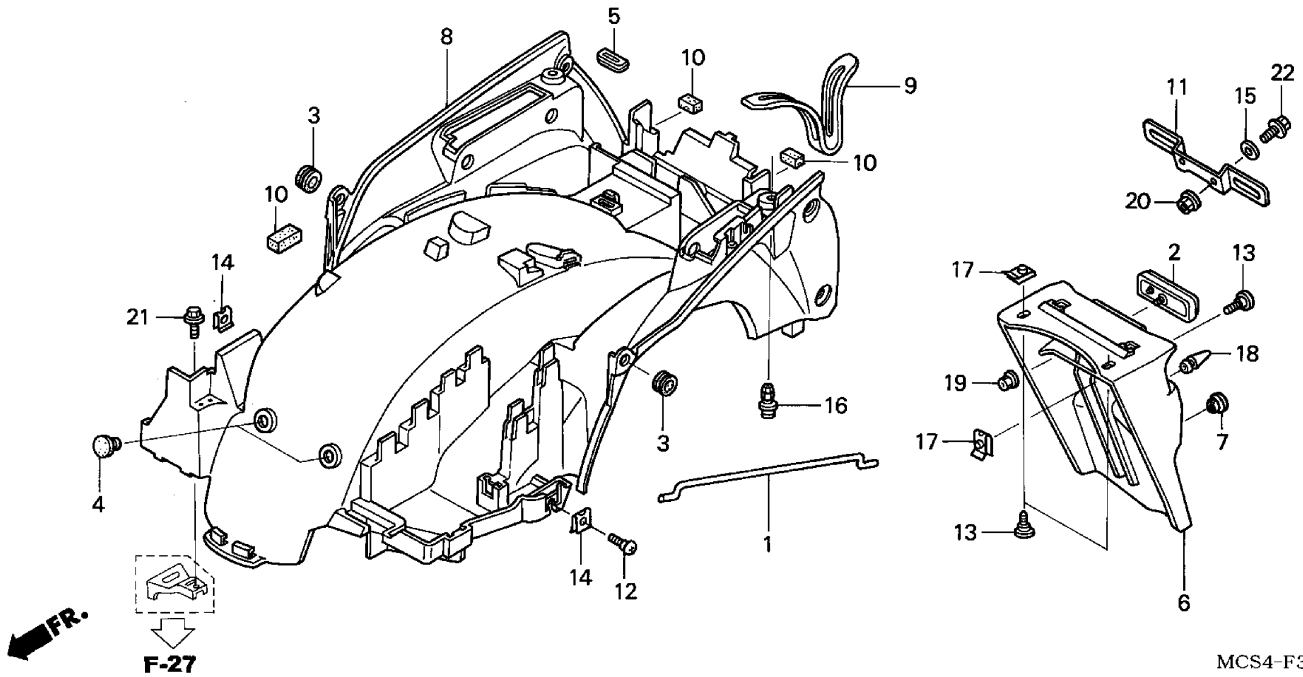
3 =ST1300'03
3A=ST1300A'03
4 =ST1300'04
4A=ST1300A'04

F-30

Frame
Serial Number

Ref	Description	Model	From	To	AREA	QTY	Part Number	H/C
1	CUSHION ASSY., RR.	3 3A	-----	-----	AC	1	52400-MCS-G02	7127129
		4 4A	-----	-----	A	1	52400-MCS-G02	7127129
2	STAY, RR. CUSHION PRELOAD ADJUSTER.....	3 3A	-----	-----	AC	1	80113-MCS-G00	7128010
		4 4A	-----	-----	A	1	80113-MCS-G00	7128010
3	LABEL, RR. SHOCK ABSORBER	3 3A	-----	-----	AC	1	87516-MBL-610	7128390
		4 4A	-----	-----	A	1	87516-MBL-610	7128390
4	BOLT, SOCKET (10X55)	3 3A	-----	-----	AC	1	90101-MCS-G00	7128606
		4 4A	-----	-----	A	1	90101-MCS-G00	7128606
5	BOLT, FLANGE (10X66)	3 3A	-----	-----	AC	1	90182-MB2-003	1413244
		4 4A	-----	-----	A	1	90182-MB2-003	1413244
6	NUT, FLANGE CAP (10MM)	3 3A	-----	-----	AC	1	90201-HA0-000	2049757
		4 4A	-----	-----	A	1	90201-HA0-000	2049757
	NUT, FLANGE CAP (10MM)	3 3A	-----	-----	AC	1	90202-HA0-000	2049765
		4 4A	-----	-----	A	1	90202-HA0-000	2049765
7	NUT, U FLANGE (10MM).....	3 3A	-----	-----	AC	1	90304-MCS-G00	7128879
		4 4A	-----	-----	A	1	90304-MCS-G00	7128879
8	BOLT, FLANGE (6X14)	3 3A	-----	-----	AC	3	95701-06014-07	2621035
		4 4A	-----	-----	A	3	95701-06014-07	2621035

REAR FENDER



3 =ST1300'03
 3A=ST1300A'03
 4 =ST1300'04
 4A=ST1300A'04

F-31

 Frame
 Serial Number

Ref	Description	Model	From	To	AREA	QTY	Part Number	H/C
1	ROD, TANK OPEN.....	3 3A	-----	-----	AC	1	17891-MCJ-750	6999585
		4 4A	-----	-----	A	1	17891-MCJ-750	6999585
2	REFLECTOR, REFLEX	3 3A	-----	-----	AC	1	33741-MS6-921	3696564
		4 4A	-----	-----	A	1	33741-MS6-921	3696564
3	GROMMET, TUBE	3 3A	-----	-----	AC	2	36130-ZA8-801	2085496
		4 4A	-----	-----	A	2	36130-ZA8-801	2085496
4	PLUG	3 3A	-----	-----	AC	2	50318-041-600	0210278
		4 4A	-----	-----	A	2	50318-041-600	0210278
5	GROMMET, TOOL TRAY.....	3 3A	-----	-----	AC	1	77309-KK6-000	2889657
		4 4A	-----	-----	A	1	77309-KK6-000	2889657
6	FENDER A, RR.	3 3A	-----	-----	AC	1	80100-MCS-770	7127970
		4 4A	-----	-----	A	1	80100-MCS-770	7127970
7	PLUG, RR. FENDER	3 3A	-----	-----	AC	1	80103-192-600	0963819
		4 4A	-----	-----	A	1	80103-192-600	0963819
8	FENDER B, RR.	3 3A	-----	-----	AC	1	80106-MCS-G00	7127988
		4 4A	-----	-----	A	1	80106-MCS-G00	7127988
9	BAND, UNIT	3 3A	-----	-----	AC	1	80109-MCS-G00	7128002
		4 4A	-----	-----	A	1	80109-MCS-G00	7128002
10	SEAL, RUBBER	3 3A	-----	-----	AC	3	83605-MCS-G00	7128242
		4 4A	-----	-----	A	3	83605-MCS-G00	7128242
11	BRACKET, NUMBER PLATE.....	3 3A	-----	-----	AC	1	84700-MCS-770	7128325

REAR FENDER

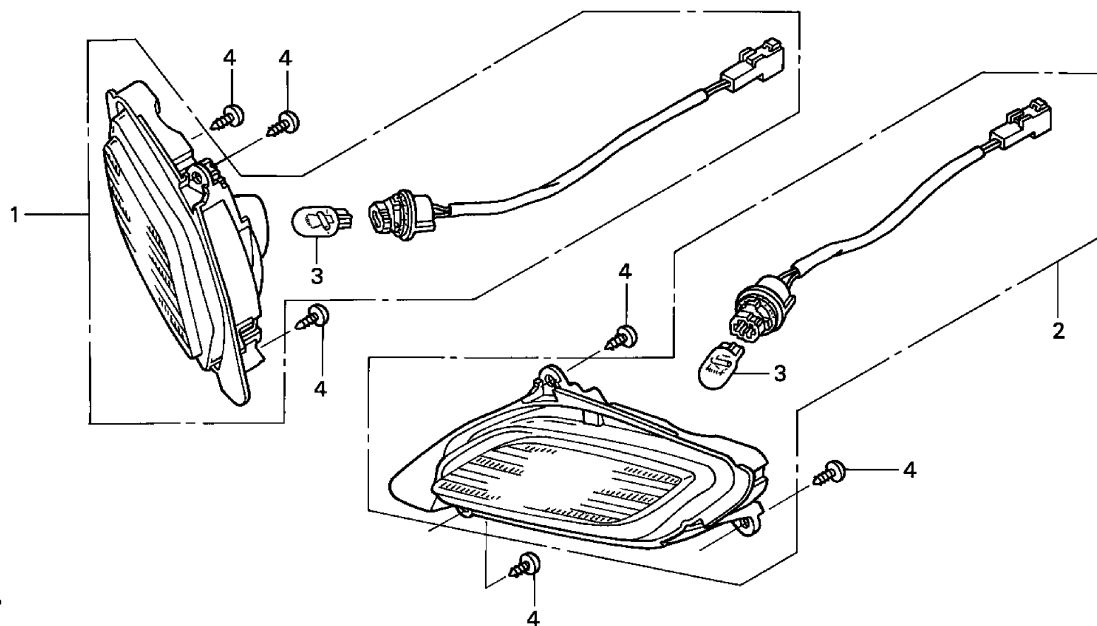
3 =ST1300'03
 3A=ST1300A'03
 4 =ST1300'04
 4A=ST1300A'04

F-31

 Frame
 Serial Number

Ref	Description	Model	From	To	AREA	QTY	Part Number	H/C
11	BRACKET, NUMBER PLATE.....	4 4A	-----	-----	A	1	84700-MCS-770	7128325
12	SCREW, SPECIAL (6MM)	3 3A	-----	-----	AC	1	90106-MBL-610	7128648
		4 4A	-----	-----	A	1	90106-MBL-610	7128648
13	SCREW, SPECIAL (5X12).....	3 3A	-----	-----	AC	4	90106-MBY-000	6092043
		4 4A	-----	-----	A	4	90106-MBY-000	6092043
14	NUT, SPRING (6MM).....	3 3A	-----	-----	AC	2	90320-747-000	3527025
		4 4A	-----	-----	A	2	90320-747-000	3527025
15	WASHER, CHAIN SLIDER.....	3 3A	-----	-----	AC	2	90556-KR3-000	2920296
		4 4A	-----	-----	A	2	90556-KR3-000	2920296
16	CLIP, SPLASH	3 3A	-----	-----	AC	2	90657-SB0-003	1477280
		4 4A	-----	-----	A	2	90657-SB0-003	1477280
17	NUT, CLIP (5MM).....	3 3A	-----	-----	AC	4	90677-KAN-961	5750450
		4 4A	-----	-----	A	4	90677-KAN-961	5750450
18	PLUG, CONE	3 3A	-----	-----	AC	1	90899-KL8-000	2959336
		4 4A	-----	-----	A	1	90899-KL8-000	2959336
19	NUT, FLANGE (5MM).....	3 3A	-----	-----	AC	1	94050-05000	0636951
		4 4A	-----	-----	A	1	94050-05000	0636951
20	NUT, FLANGE (6MM).....	3 3A	-----	-----	AC	2	94050-06000	0471623
		4 4A	-----	-----	A	2	94050-06000	0471623
21	BOLT, FLANGE (6X12)	3 3A	-----	-----	AC	1	96001-06012-00	2105930
		4 4A	-----	-----	A	1	96001-06012-00	2105930
22	BOLT, FLANGE (6X16)	3 3A	-----	-----	AC	2	96001-06016-00	2105955
		4 4A	-----	-----	A	2	96001-06016-00	2105955

TURN SIGNAL



MCS3 - F3200

MCS3F3200

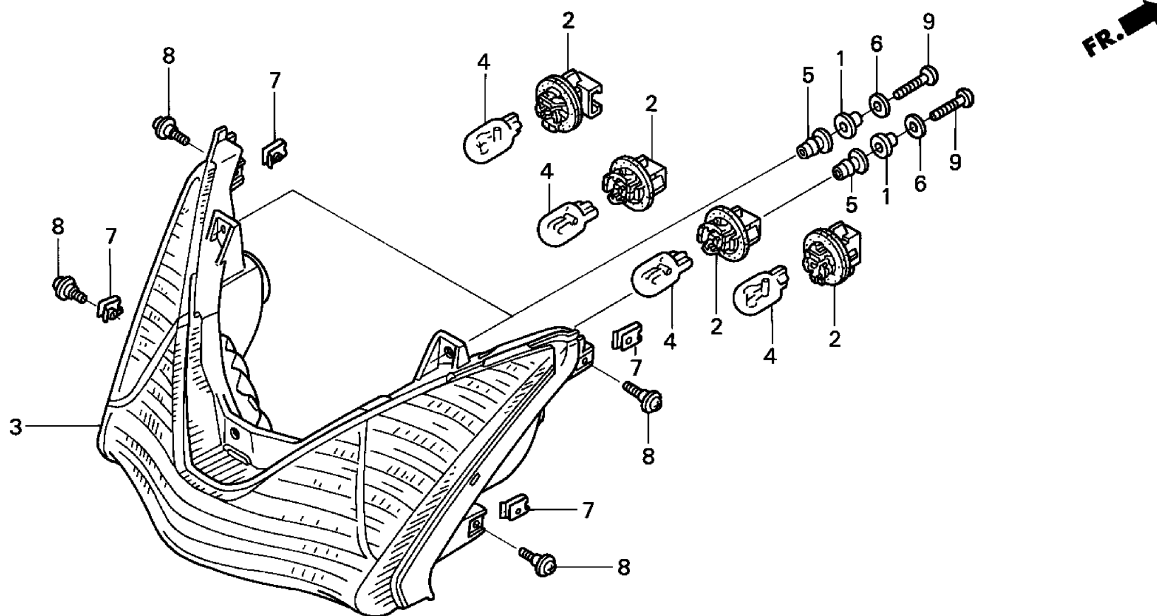
3 =ST1300'03
 3A=ST1300A'03
 4 =ST1300'04
 4A=ST1300A'04

F-32

Frame
 Serial Number

Ref	Description	Model	From	To	AREA	QTY	Part Number	H/C
1	TURN SIGNAL ASSY., R. FR. (12V 21/5W) (NA USE ALT:33400-MCS-L01).....	3 3A	-----	-----	AC	1	33400-MCS-A01	7125362
	TURN SIGNAL ASSY., R. FR. (12V 21W) ..	4 4A	-----	-----	A	1	33400-MCS-L01	7217086
2	TURN SIGNAL ASSY., L. FR. (12V 21/5W) (NA USE ALT:33450-MCS-L01).....	3 3A	-----	-----	AC	1	33450-MCS-A01	7125370
	TURN SIGNAL ASSY., L. FR. (12V 21W) ..	4 4A	-----	-----	A	1	33450-MCS-L01	7217102
3	BULB, WEDGE BASE (12V21/5W) (ECE) ..	3 3A	-----	-----	AC	2	34906-MBB-611	5363650
		4 4A	-----	-----	A	2	34906-MBB-611	5363650
4	SCREW, TAPPING (4X12).....	3 3A	-----	-----	AC	6	93903-24380	0562090
		4 4A	-----	-----	A	6	93903-24380	0562090

REAR COMBINATION LIGHT



MCS3-F3300

MCS3F3300

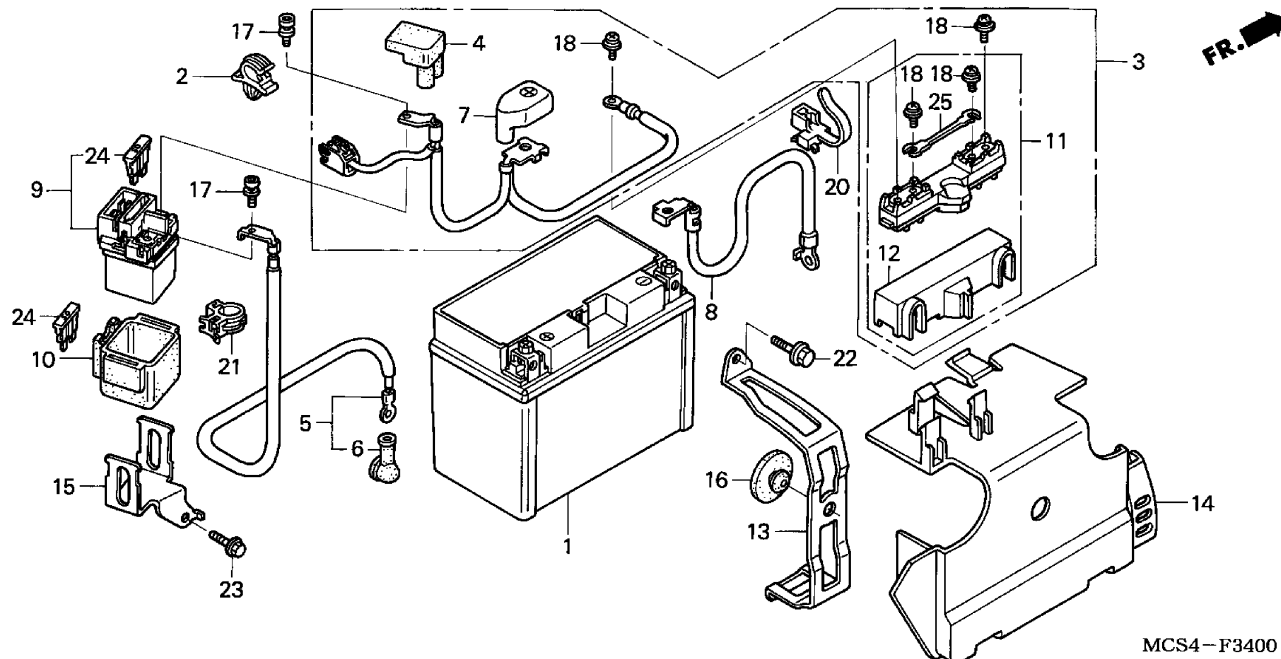
3 =ST1300'03
 3A=ST1300A'03
 4 =ST1300'04
 4A=ST1300A'04

F-33

 Frame
 Serial Number

Ref	Description	Model	From	To	AREA	QTY	Part Number	H/C
1	COLLAR A, TAILLIGHT	3 3A	-----	-----	AC	3	33712-GC2-000	2462323
		4 4A	-----	-----	A	3	33712-GC2-000	2462323
2	SOCKET	3 3A	-----	-----	AC	4	33720-GZ9-003	5363643
		4 4A	-----	-----	A	4	33720-GZ9-003	5363643
3	LIGHT UNIT, RR. COMBINATION	3 3A	-----	-----	AC	1	33720-MCS-L01	7125388
		4 4A	-----	-----	A	1	33720-MCS-L01	7125388
4	BULB, WEDGE BASE (12V21/5W) (ECE) ..	3 3A	-----	-----	AC	4	34906-MBB-611	5363650
		4 4A	-----	-----	A	4	34906-MBB-611	5363650
5	NUT, COWL SETTING (5MM)	3 3A	-----	-----	AC	3	90111-KW3-003	2909141
		4 4A	-----	-----	A	3	90111-KW3-003	2909141
6	WASHER, STOPPER.....	3 3A	-----	-----	AC	3	90483-041-000	0424648
		4 4A	-----	-----	A	3	90483-041-000	0424648
7	NUT, CLIP (5MM).....	3 3A	-----	-----	AC	4	90677-KAN-961	5750450
		4 4A	-----	-----	A	4	90677-KAN-961	5750450
8	SCREW, PAN (5X11.5)	3 3A	-----	-----	AC	4	91509-GE2-760	3491735
		4 4A	-----	-----	A	4	90133-MCS-G00	7128804
9	SCREW, PAN (5X20).....	3 3A	-----	-----	AC	3	93500-05020-0A	0197731
		4 4A	-----	-----	A	3	93500-05020-0A	0197731

BATTERY



MCS4-F3400

MCS4F3400

3 =ST1300'03
3A=ST1300A'03
4 =ST1300'04
4A=ST1300A'04

F-34

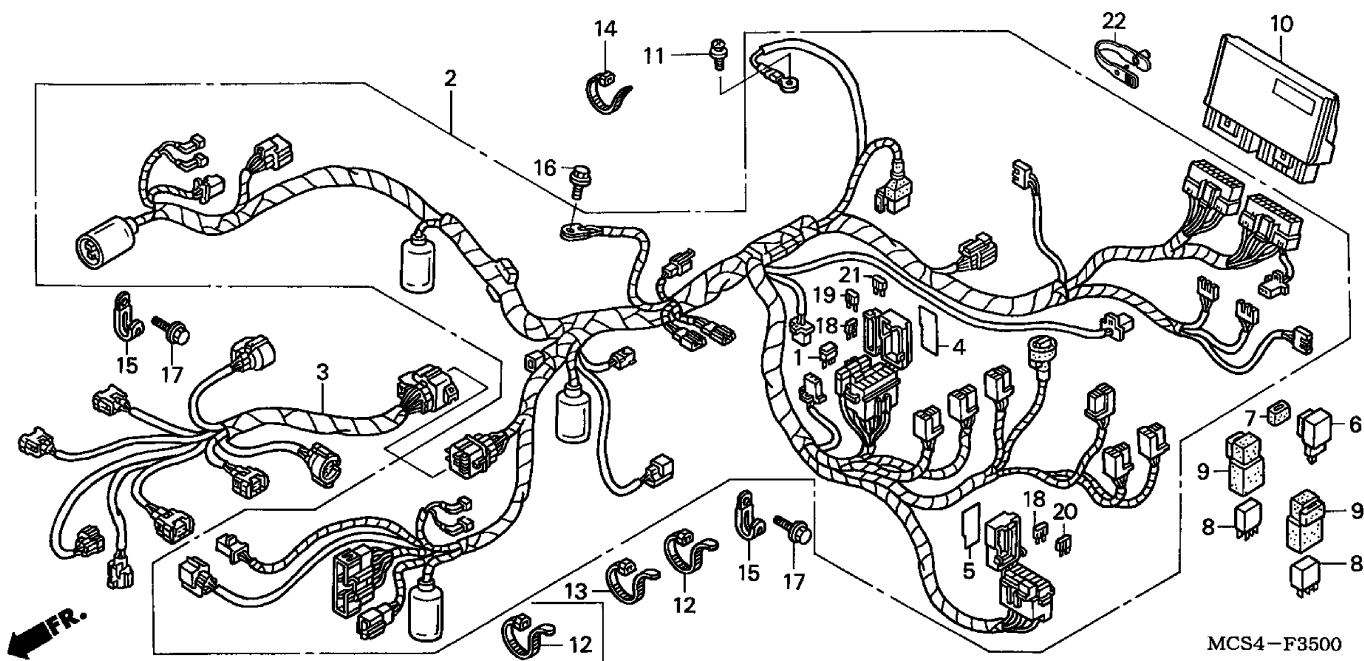
Frame
Serial Number

Ref	Description	Model	From	To	AREA	QTY	Part Number	H/C
1	BATTERY (YTZ14S) (YUASA).....	3 3A	-----	-----	AC	1	31500-MCR-D02	6678957
		4 4A	-----	-----	A	1	31500-MCR-D02	6678957
2	CLIP B, HARNESS.....	3 3A	-----	-----	AC	1	32172-GJ1-003	2150431
		4 4A	-----	-----	A	1	32172-GJ1-003	2150431
3	CABLE, STARTER BATTERY	3	-----	-----	AC	1	32401-MCS-640	7125305
		4	-----	-----	A	1	32401-MCS-640	7125305
	CABLE, STARTER BATTERY	3A	-----	-----	AC	1	32401-MCS-G00	7125297
		4A	-----	-----	A	1	32401-MCS-G00	7125297
4	COVER, STARTER MAGNETIC TERMINAL	3 3A	-----	-----	AC	1	32406-MT4-000	3468279
		4 4A	-----	-----	A	1	32406-MT4-000	3468279
5	CABLE, STARTER MOTOR.....	3 3A	-----	-----	AC	1	32410-MCS-G00	7125313
		4 4A	-----	-----	A	1	32410-MCS-G00	7125313
6	COVER, STARTER MOTOR TERMINAL....	3 3A	-----	-----	AC	1	32411-230-000	0208652
		4 4A	-----	-----	A	1	32411-230-000	0208652
	COVER, STARTER MOTOR TERMINAL....	3 3A	-----	-----	AC	1	32411-253-000	0177360
		4 4A	-----	-----	A	1	32411-253-000	0177360
7	COVER, BATTERY TERMINAL	3 3A	-----	-----	AC	1	32414-MCF-000	6429088
		4 4A	-----	-----	A	1	32414-MCF-000	6429088
8	CABLE, BATTERY GROUND	3 3A	-----	-----	AC	1	32601-MCS-G00	7125321
		4 4A	-----	-----	A	1	32601-MCS-G00	7125321

BATTERY

3 =ST1300'03 3A=ST1300A'03 4 =ST1300'04 4A=ST1300A'04		F-34						
		Frame Serial Number						
Ref	Description	Model	From	To	AREA	QTY	Part Number	H/C
9	SWITCH ASSY., STARTER MAGNETIC	3 3A	-----	-----	AC	1	35850-MT4-000	3468774
		4 4A	-----	-----	A	1	35850-MT4-000	3468774
10	RUBBER, SHOCK ABSORBER.....	3 3A	-----	-----	AC	1	35856-MBG-003	5740774
		4 4A	-----	-----	A	1	35856-MBG-003	5740774
11	BOX ASSY., REVERSE FUSE.....	3 3A	-----	-----	AC	1	38260-MN5-003	2820801
		4 4A	-----	-----	A	1	38260-MN5-003	2820801
12	COVER, FUSE BOX.....	3 3A	-----	-----	AC	1	38265-MN5-003	2820819
		4 4A	-----	-----	A	1	38265-MN5-003	2820819
13	BAND, BATTERY	3 3A	-----	-----	AC	1	50320-MCS-G00	7126824
		4 4A	-----	-----	A	1	50320-MCS-G00	7126824
14	COVER, BATTERY	3 3A	-----	-----	AC	1	80108-MCS-G00	7127996
		4 4A	-----	-----	A	1	80108-MCS-G00	7127996
15	BRACKET, STARTER MAGNETIC SWITCH	3 3A	-----	-----	AC	1	80114-MCS-G00	7128028
		4 4A	-----	-----	A	1	80114-MCS-G00	7128028
16	RUBBER, BATTERY BOX	3 3A	-----	-----	AC	1	83618-323-000	0255810
		4 4A	-----	-----	A	1	83618-323-000	0255810
17	BOLT, SOCKET (5X9)	3 3A	-----	-----	AC	2	90111-MR5-000	3141603
		4 4A	-----	-----	A	2	90111-MR5-000	3141603
18	SCREW-WASHER (5X10)	3 3A	-----	-----	AC	4	90153-SB2-003	1892132
		4 4A	-----	-----	A	4	90153-SB2-003	1892132
20	CLIP, HARNESS BAND (15)	3 3A	-----	-----	AC	1	90690-GHB-601	3141728
		4 4A	-----	-----	A	1	90690-GHB-601	3141728
21	CLIP, CABLE (20MM).....	3 3A	-----	-----	AC	1	90690-GHB-661	2847325
		4 4A	-----	-----	A	1	90690-GHB-661	2847325
22	BOLT, FLANGE (6X12)	3 3A	-----	-----	AC	1	95701-06012-00	2105799
		4 4A	-----	-----	A	1	95701-06012-00	2105799
23	BOLT, FLANGE (6X14)	3 3A	-----	-----	AC	1	95701-06014-07	2621035
		BOLT, FLANGE (6X12)	4 4A	-----	-----	A	1	96001-06012-00
24	FUSE, BLADE (30A).....	3 3A	-----	-----	AC	2	98200-33000	1644251
		4 4A	-----	-----	A	2	98200-33000	1644251
25	FUSE (65A)	3 3A	-----	-----	AC	1	98200-66500	1173475
		4 4A	-----	-----	A	1	98200-66500	1173475

WIRE HARNESS (ST1300)



MCS4F3500

3 =ST1300'03
 3A=ST1300A'03
 4 =ST1300'04
 4A=ST1300A'04

F-35

Frame
 Serial Number

Ref	Description	Model	From	To	AREA	QTY	Part Number	H/C
1	DIODE ASSY., THREE-WAY	3	-----	AC	1	31730-MAS-601	4936522	
		4	-----	A	1	31730-MAS-601	4936522	
2	WIRE HARNESS	3	-----	AC	1	32100-MCS-770	7125222	
		4	-----	A	1	32100-MCS-910	7683469	
3	SUB-HARNESS, INJECTOR	3	-----	AC	1	32103-MCS-770	7203292	
		4	-----	A	1	32103-MCS-770	7203292	
4	LABEL A, MINI FUSE	3	-----	AC	1	38215-MCS-640	7125727	
		4	-----	A	1	38215-MCS-640	7125727	
5	LABEL B, MINI FUSE	3	-----	AC	1	38216-MCS-640	7125743	
6	RELAY, TURN SIGNAL	3	-----	AC	1	38301-MBW-D21	6813232	
		4	-----	A	1	38301-MBW-D21	6813232	
7	SUSPENSION, TURN SIGNAL RELAY (DENSO)	3	-----	AC	1	38306-GE8-008	1491299	
		4	-----	A	1	38306-GE8-008	1491299	
8	RELAY, POWER (MICRO ISO 4P)	3	-----	AC	6	38501-MCS-G00	7125750	
		4	-----	A	7	38501-MCS-G00	7125750	
9	SUSPENSION, POWER RELAY	3	-----	AC	6	38506-MCS-G00	7125776	
		4	-----	A	7	38506-MCS-G00	7125776	
10	PGM-FI UNIT	3	-----	AC	1	38770-MCS-L01	7125826	
		4	-----	A	1	38770-MCS-L01	7125826	
11	SCREW-WASHER (5X10)	3	-----	AC	1	90153-SB2-003	1892132	

WIRE HARNESS (ST1300)

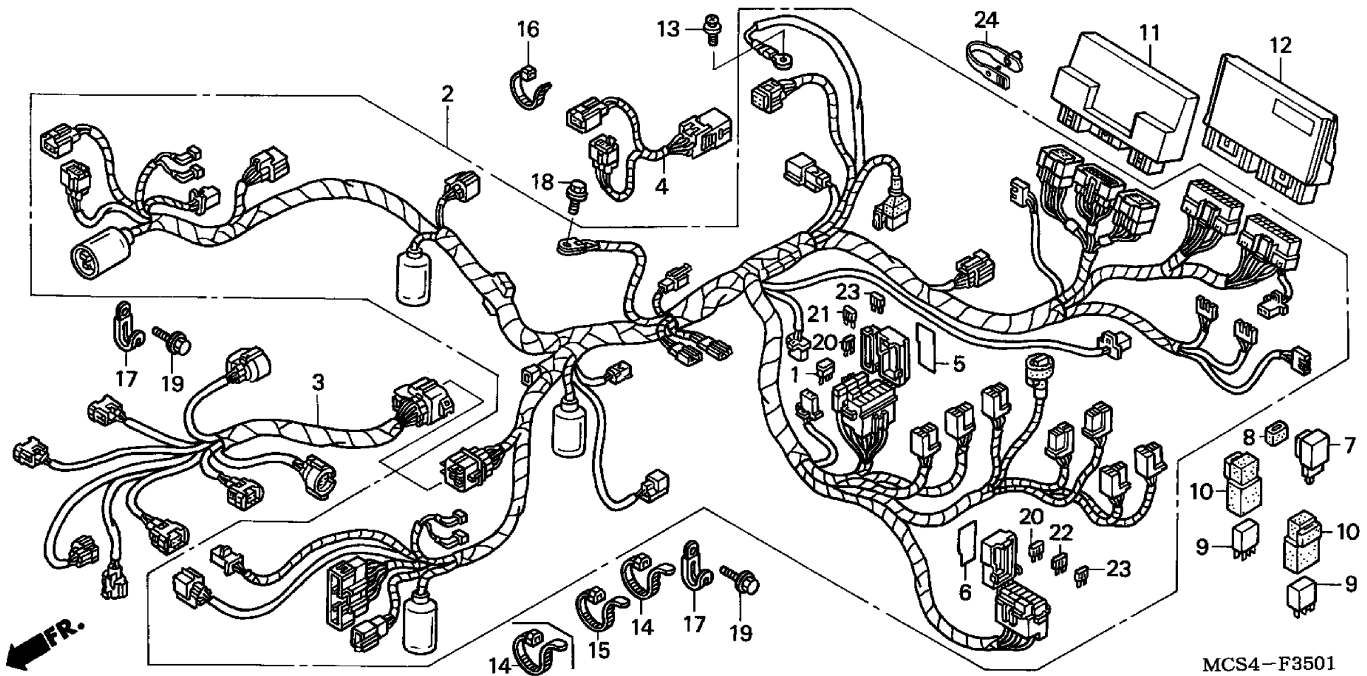
3 =ST1300'03
 3A=ST1300A'03
 4 =ST1300'04
 4A=ST1300A'04

F-35

Frame
Serial Number

Ref	Description	Model	From	To	AREA	QTY	Part Number	H/C
11	SCREW-WASHER (5X10)	4	-----	-----	A	1	90153-SB2-003	1892132
12	BAND, WIRE	3	-----	-----	AC	1	90650-KV6-003	2687788
		4	-----	-----	A	2	90650-KV6-003	2687788
13	BAND, WIRE	3	-----	-----	AC	1	90651-KV6-003	2576296
		4	-----	-----	A	1	90651-KV6-003	2576296
14	BAND, WIRE	3	-----	-----	AC	1	90652-KT1-771	2710416
		4	-----	-----	A	1	90652-KT1-771	2710416
15	CLIP, WIRE	3	-----	-----	AC	2	91406-166-000	1083211
		4	-----	-----	A	2	91406-166-000	1083211
16	BOLT, FLANGE (6X20)	3	-----	-----	AC	1	95701-06020-08	2374759
		4	-----	-----	A	1	95701-06020-08	2374759
17	BOLT, FLANGE (6X10)	3	-----	-----	AC	2	96001-06010-00	2154656
		4	-----	-----	A	2	96001-06010-00	2154656
18	FUSE F (10A) (MINI)	3	-----	-----	AC	6	98200-41000	4853420
		4	-----	-----	A	6	98200-41000	4853420
19	FUSE F (15A) (MINI)	3	-----	-----	AC	3	98200-41500	4853438
		4	-----	-----	A	3	98200-41500	4853438
20	FUSE F (20A) (MINI)	3	-----	-----	AC	2	98200-42000	4853446
		4	-----	-----	A	3	98200-42000	4853446
21	FUSE, BLADE (30A).....	3	-----	-----	AC	2	98200-43000	5359666
		4	-----	-----	A	2	98200-43000	5359666
22	BAND, WIRE	4	-----	-----	A	1	90676-HC0-000	2519429

WIRE HARNESS (ST1300A)



MCS4F3501

3 =ST1300'03
 3A=ST1300A'03
 4 =ST1300'04
 4A=ST1300A'04

F-35-1

Frame
Serial Number

Ref	Description	Model	From	To	AREA	QTY	Part Number	H/C
1	DIODE ASSY., THREE-WAY	3A	-----	-----	AC	1	31730-MAS-601	4936522
		4A	-----	-----	A	1	31730-MAS-601	4936522
2	WIRE HARNESS	3A	-----	3M100791	AC	1	32100-MCS-L00	7125214
		3A	3M100792	-----	AC	1	32100-MCS-L01	7446065
		4A	-----	-----	A	1	32100-MCS-710	7683451
3	SUB-HARNESS, INJECTOR	3A	-----	-----	AC	1	32103-MCS-770	7203292
		4A	-----	-----	A	1	32103-MCS-770	7203292
4	SUB-WIRE HARNESS, ABS	3A	-----	-----	AC	1	32107-MCS-G00	7125263
		4A	-----	-----	A	1	32107-MCS-G00	7125263
5	LABEL A, MINI FUSE	3A	-----	-----	AC	1	38215-MCS-G00	7125719
		4A	-----	-----	A	1	38215-MCS-G00	7125719
6	LABEL B, MINI FUSE	3A	-----	-----	AC	1	38216-MCS-G00	7125735
		4A	-----	-----	A	1	38216-MCS-G00	7125735
7	RELAY, TURN SIGNAL	3A	-----	-----	AC	1	38301-MBW-D21	6813232
		4A	-----	-----	A	1	38301-MBW-D21	6813232
8	SUSPENSION, TURN SIGNAL RELAY (DENSO)	3A	-----	-----	AC	1	38306-GE8-008	1491299
		4A	-----	-----	A	1	38306-GE8-008	1491299
9	RELAY, POWER (MICRO ISO 4P)	3A	-----	-----	AC	7	38501-MCS-G00	7125750
		4A	-----	-----	A	7	38501-MCS-G00	7125750
10	SUSPENSION, POWER RELAY	3A	-----	-----	AC	7	38506-MCS-G00	7125776

WIRE HARNESS (ST1300A)

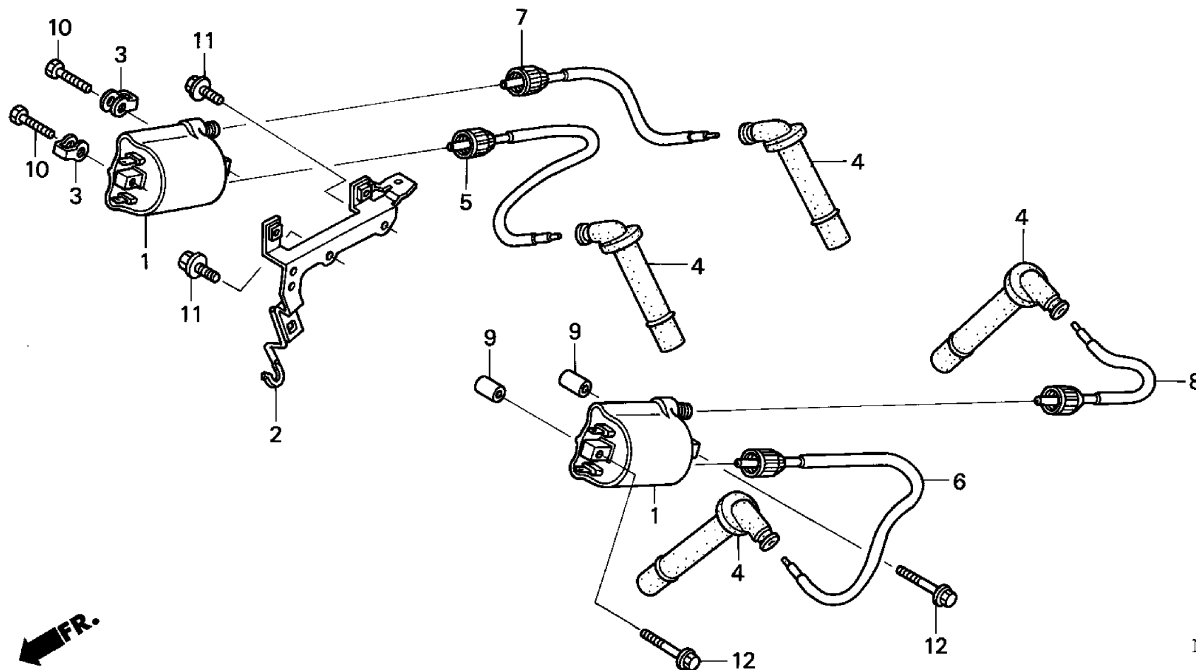
3 =ST1300'03
 3A=ST1300A'03
 4 =ST1300'04
 4A=ST1300A'04

F-35-1

Frame
Serial Number

Ref	Description	Model	From	To	AREA	QTY	Part Number	H/C
10	SUSPENSION, POWER RELAY	4A	-----	-----	A	7	38506-MCS-G00	7125776
11	ABS CONTROL UNIT.....	3A	-----	-----	AC	1	38600-MCS-G01	7125818
		4A	-----	-----	A	1	38600-MCS-G01	7125818
12	PGM-FI UNIT	3A	-----	-----	AC	1	38770-MCS-L01	7125826
		4A	-----	-----	A	1	38770-MCS-L01	7125826
13	SCREW-WASHER (5X10)	3A	-----	-----	AC	1	90153-SB2-003	1892132
		4A	-----	-----	A	1	90153-SB2-003	1892132
14	BAND, WIRE	3A	-----	-----	AC	1	90650-KV6-003	2687788
		4A	-----	-----	A	2	90650-KV6-003	2687788
15	BAND, WIRE	3A	-----	-----	AC	1	90651-KV6-003	2576296
		4A	-----	-----	A	1	90651-KV6-003	2576296
16	BAND, WIRE	3A	-----	-----	AC	1	90652-KT1-771	2710416
		4A	-----	-----	A	1	90652-KT1-771	2710416
17	CLIP, WIRE	3A	-----	-----	AC	2	91406-166-000	1083211
		4A	-----	-----	A	2	91406-166-000	1083211
18	BOLT, FLANGE (6X20)	3A	-----	-----	AC	1	95701-06020-08	2374759
		4A	-----	-----	A	1	95701-06020-08	2374759
19	BOLT, FLANGE (6X10)	3A	-----	-----	AC	2	96001-06010-00	2154656
		4A	-----	-----	A	2	96001-06010-00	2154656
20	FUSE F (10A) (MINI)	3A	-----	-----	AC	7	98200-41000	4853420
		4A	-----	-----	A	7	98200-41000	4853420
21	FUSE F (15A) (MINI)	3A	-----	-----	AC	3	98200-41500	4853438
		4A	-----	-----	A	3	98200-41500	4853438
22	FUSE F (20A) (MINI)	3A	-----	-----	AC	3	98200-42000	4853446
		4A	-----	-----	A	3	98200-42000	4853446
23	FUSE, BLADE (30A).....	3A	-----	-----	AC	4	98200-43000	5359666
		4A	-----	-----	A	4	98200-43000	5359666
24	BAND, WIRE	4A	-----	-----	A	1	90676-HC0-000	2519429

IGNITION COIL



MCS3--F3600 A

MCS3F3600A

3 =ST1300'03
 3A=ST1300A'03
 4 =ST1300'04
 4A=ST1300A'04

F-36

Frame
Serial Number

Ref	Description	Model	From	To	AREA	QTY	Part Number	H/C
1	COIL, IGNITION	3 3A	-----	-----	AC	2	30510-MCC-003	6385298
		4 4A	-----	-----	A	2	30510-MCC-003	6385298
2	STAY, R. IGNITION COIL	3 3A	-----	-----	AC	1	30515-MCS-G01	7125073
		4 4A	-----	-----	A	1	30515-MCS-G01	7125073
3	SPACER, IGNITION COIL	3 3A	-----	-----	AC	2	30520-ML7-000	2404895
		4 4A	-----	-----	A	2	30520-ML7-000	2404895
4	CAP ASSY., NOISE SUPPRESSOR	3 3A	-----	-----	AC	4	30700-MCS-G01	7125115
		4 4A	-----	-----	A	4	30700-MCS-G01	7125115
5	WIRE, IGNITION (1)	3 3A	-----	-----	AC	1	30731-MCS-G00	7125123
		4 4A	-----	-----	A	1	30731-MCS-G00	7125123
6	WIRE, IGNITION (2)	3 3A	-----	-----	AC	1	30732-MCS-G01	7125131
		4 4A	-----	-----	A	1	30732-MCS-G01	7125131
7	WIRE, IGNITION (3)	3 3A	-----	-----	AC	1	30733-MCS-G01	7125149
		3 3A	-----	-----	AC	1	30733-MCS-G02	7217037
4 4A	-----	-----	A	1	30733-MCS-G02	7217037		
8	WIRE, IGNITION (4)	3 3A	-----	-----	AC	1	30734-MCS-G01	7125156
		4 4A	-----	-----	A	1	30734-MCS-G01	7125156
9	COLLAR, CHAIN GUIDE	3 3A	-----	-----	AC	2	52148-MAC-780	5193305
		4 4A	-----	-----	A	2	52148-MAC-780	5193305
10	BOLT, HEX. (6X20)	3 3A	-----	-----	AC	2	92101-06020-4J	2801207
		4 4A	-----	-----	A	2	92101-06020-4J	2801207

IGNITION COIL

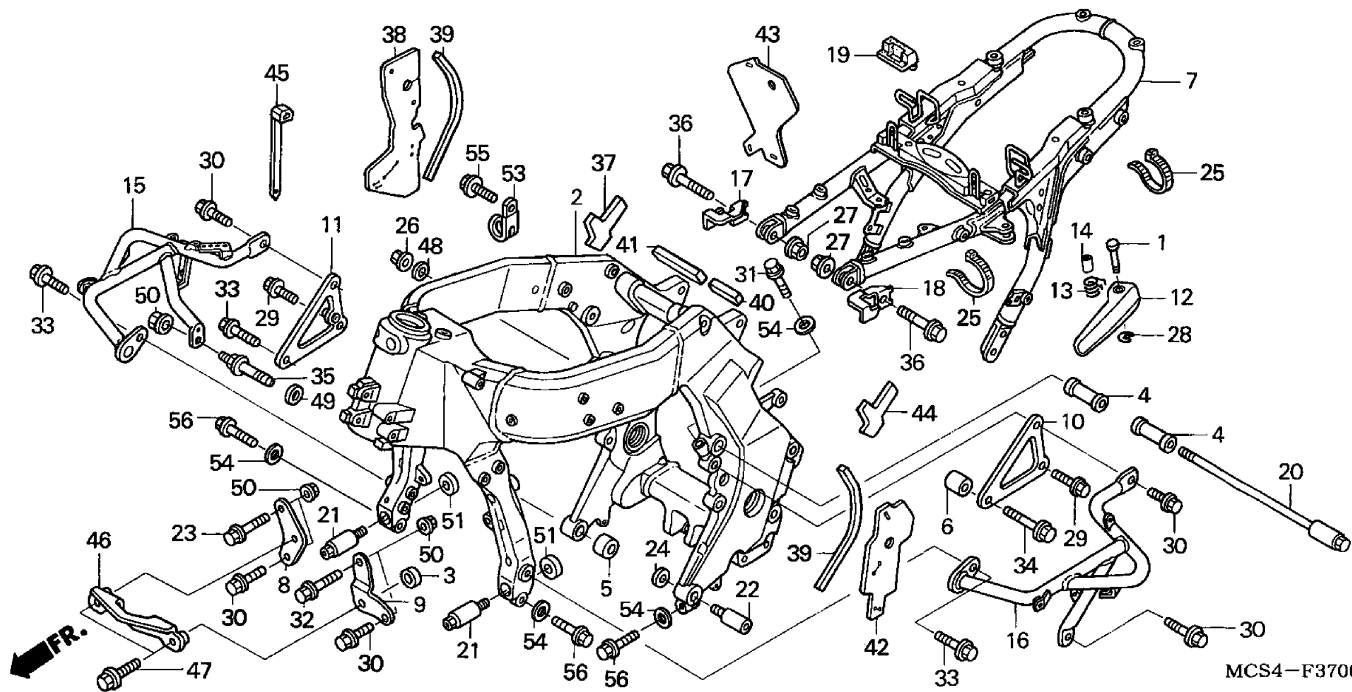
3 =ST1300'03
 3A=ST1300A'03
 4 =ST1300'04
 4A=ST1300A'04

F-36

Frame
Serial Number

Ref	Description	Model	From	To	AREA	QTY	Part Number	H/C
11	BOLT, FLANGE (6X20)	3 3A	-----	-----	AC	2	95701-06020-00	2105815
		4 4A	-----	-----	A	2	95701-06020-00	2105815
12	BOLT, FLANGE (6X55)	3 3A	-----	-----	AC	2	96001-06055-00	2112217
		4 4A	-----	-----	A	2	96001-06055-00	2112217

FRAME



3 =ST1300'03
 3A=ST1300A'03
 4 =ST1300'04
 4A=ST1300A'04

F-37

 Frame
 Serial Number

Ref	Description	Model	From	To	AREA	QTY	Part Number	H/C
1	PIN, KICK STARTER	3 3A	-----	-----	AC	1	28321-427-770	0828798
		4 4A	-----	-----	A	1	28321-427-770	0828798
2	FRAME *NH146M* (ACCURATE SILVER METALLIC).....	3 3A	-----	-----	AC	1	50100-MCS-L01ZA	7679251
		4 4A	-----	-----	A	1	50100-MCS-L01ZA	7679251
	FRAME *NH146M* (ACCURATE SILVER METALLIC).....	3 3A	-----	-----	AC	1	50100-MCS-L02ZA	7679269
		4 4A	-----	-----	A	1	50100-MCS-L02ZA	7679269
3	COLLAR, FR. ENGINE HANGER	3 3A	-----	-----	AC	1	50190-MCS-G00	7126725
		4 4A	-----	-----	A	1	50190-MCS-G00	7126725
4	COLLAR, RR. ENGINE (UPPER).....	3 3A	-----	-----	AC	2	50191-MCS-G03	7646540
		4 4A	-----	-----	A	2	50191-MCS-G03	7646540
5	COLLAR, RR. ENGINE (LOWER)	3 3A	-----	-----	AC	1	50192-MCS-G02	7646581
		4 4A	-----	-----	A	1	50192-MCS-G02	7646581
6	COLLAR, L. RR. ENGINE HANGER CENTER.....	3 3A	-----	-----	AC	1	50193-MCS-G00	7126758
		4 4A	-----	-----	A	1	50193-MCS-G00	7126758
7	SEAT RAIL	3 3A	-----	-----	AC	1	50240-MCS-G03	7679301
		4 4A	-----	-----	A	1	50240-MCS-G03	7679301
8	PLATE, R. FR. ENGINE HANGER.....	3 3A	-----	-----	AC	1	50310-MCS-G00	7126782
		4 4A	-----	-----	A	1	50310-MCS-G00	7126782
9	PLATE, L. FR. ENGINE HANGER	3 3A	-----	-----	AC	1	50311-MCS-G00	7126790

FRAME

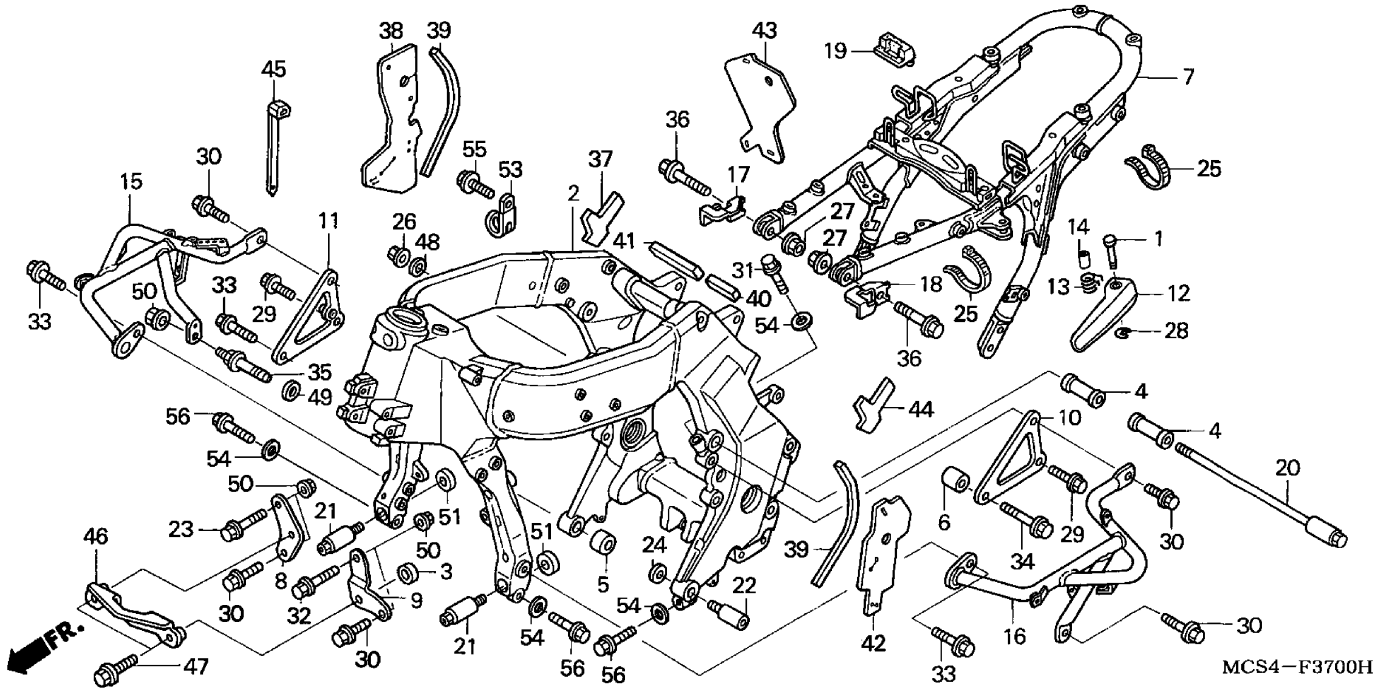
3 =ST1300'03
 3A=ST1300A'03
 4 =ST1300'04
 4A=ST1300A'04

F-37

Frame
Serial Number

Ref	Description	Model	From	To	AREA	QTY	Part Number	H/C
9	PLATE, L. FR. ENGINE HANGER	4 4A	-----	-----	A	1	50311-MCS-G00	7126790
10	PLATE, RR. ENGINE HANGER.....	3 3A	-----	-----	AC	1	50312-MCS-G00	7126808
		4 4A	-----	-----	A	1	50312-MCS-G00	7126808
11	PLATE, RR. ENGINE HANGER.....	3 3A	-----	-----	AC	1	50312-MCS-L00	7126816
		4 4A	-----	-----	A	1	50312-MCS-L00	7126816
12	GRIP, MAIN STAND *NH105* (MAT BLACK).....	3 3A	-----	-----	AC	1	50400-MT3-000ZE	7126840
		4 4A	-----	-----	A	1	50400-MT3-000ZE	7126840
13	SPRING, R. STEP RETURN	3 3A	-----	-----	AC	1	50617-MM5-000	2543296
		4 4A	-----	-----	A	1	50617-MM5-000	2543296
14	COLLAR, HANDLE SETTING	3 3A	-----	-----	AC	1	53103-GN5-900	3486396
		4 4A	-----	-----	A	1	53103-GN5-900	3486396
15	GUARD, R. ENGINE	3 3A	-----	-----	AC	1	64206-MCS-L01	7367113
		4 4A	-----	-----	A	1	64206-MCS-L01	7367113
16	GUARD, L. ENGINE.....	3 3A	-----	-----	AC	1	64216-MCS-G00	7127442
		4 4A	-----	-----	A	1	64216-MCS-G00	7127442
17	PLATE, R. SEAT STOPER.....	3 3A	-----	-----	AC	1	77116-MCS-G00	7127749
		4 4A	-----	-----	A	1	77116-MCS-G00	7127749
18	PLATE, L. SEAT STOPER.....	3 3A	-----	-----	AC	1	77117-MCS-G00	7127756
		4 4A	-----	-----	A	1	77117-MCS-G00	7127756
19	RUBBER, SEAT SETTING.....	3 3A	-----	-----	AC	2	77205-MCS-G00	7127772
		4 4A	-----	-----	A	2	77205-MCS-G00	7127772
20	BOLT, ENGINE MOUNTING (10X328)	3 3A	-----	-----	AC	1	90102-MCS-G00	7128614
		4 4A	-----	-----	A	1	90102-MCS-G00	7128614
21	BOLT, FLANGE (12X36)	3 3A	-----	-----	AC	2	90112-MCS-G03	7542681
		3 3A	-----	-----	AC	2	90112-MCS-G04	7647886
		4 4A	-----	-----	A	2	90112-MCS-G04	7647886
22	BOLT, SOCKET (12X28.5).....	3 3A	-----	-----	AC	1	90119-MCS-G02	7646599
		4 4A	-----	-----	A	1	90119-MCS-G02	7646599
23	BOLT, FLANGE (8X47)	3 3A	-----	-----	AC	1	90150-GN1-000	1875749
		4 4A	-----	-----	A	1	90150-GN1-000	1875749
24	WASHER, PLAIN (12MM)	3 3A	-----	-----	AC	1	90401-ZG5-000	3453412
		4 4A	-----	-----	A	1	90401-ZG5-000	3453412
25	BAND, SUCTION HOSE	3 3A	-----	-----	AC	2	90679-SG9-E01	3522752
		4 4A	-----	-----	A	2	90679-SG9-E01	3522752
26	NUT, U (10MM)	3 3A	-----	-----	AC	1	90304-GE8-003	1439249
		4 4A	-----	-----	A	1	90304-GE8-003	1439249
27	NUT, FLANGE (10MM).....	3 3A	-----	-----	AC	2	94050-10000	0483867
		4 4A	-----	-----	A	2	94050-10000	0483867
28	E-RING (6MM)	3 3A	-----	-----	AC	1	94540-06018	2251221

FRAME



3 =ST1300'03
3A=ST1300A'03
4 =ST1300'04
4A=ST1300A'04

F-37

Frame
Serial Number

Ref	Description	Model	From	To	AREA	QTY	Part Number	H/C
28	E-RING (6MM)	4 4A	-----	-----	A	1	94540-06018	2251221
29	BOLT, FLANGE (8X20)	3 3A	-----	-----	AC	2	96300-08020-00	2043339
		4 4A	-----	-----	A	2	96300-08020-00	2043339
30	BOLT, FLANGE (8X25)	3 3A	-----	-----	AC	5	96300-08025-00	1829969
		4 4A	-----	-----	A	5	96300-08025-00	1829969
31	BOLT, FLANGE (8X35)	3 3A	-----	-----	AC	1	96300-08035-00	1829993
		4 4A	-----	-----	A	1	96300-08035-00	1829993
32	BOLT, FLANGE (8X50)	3 3A	-----	-----	AC	1	96300-08050-00	1830017
		4 4A	-----	-----	A	1	96300-08050-00	1830017
33	BOLT, FLANGE (10X25)	3 3A	-----	-----	AC	3	96300-10025-00	1830033
		4 4A	-----	-----	A	3	96300-10025-00	1830033
34	BOLT, FLANGE (10X50)	3 3A	-----	-----	AC	1	96300-10050-00	7129166
		4 4A	-----	-----	A	1	96300-10050-00	7129166
35	BOLT, FLANGE (12X67)	3 3A	-----	-----	AC	1	90134-MCS-G01	7367436
		4 4A	-----	-----	A	1	90134-MCS-G01	7367436
36	BOLT, FLANGE (10X65)	3 3A	-----	-----	AC	2	96400-10065-00	2504900
		4 4A	-----	-----	A	2	96400-10065-00	2504900
37	MAT, R. FRAME.....	3 3A	-----	-----	AC	1	64324-MCS-G00	7367154
		4 4A	-----	-----	A	1	64324-MCS-G00	7367154
38	RUBBER B, R. HEAT	3 3A	-----	-----	AC	1	64362-MCS-G00	7367196
		4 4A	-----	-----	A	1	64362-MCS-G00	7367196

FRAME

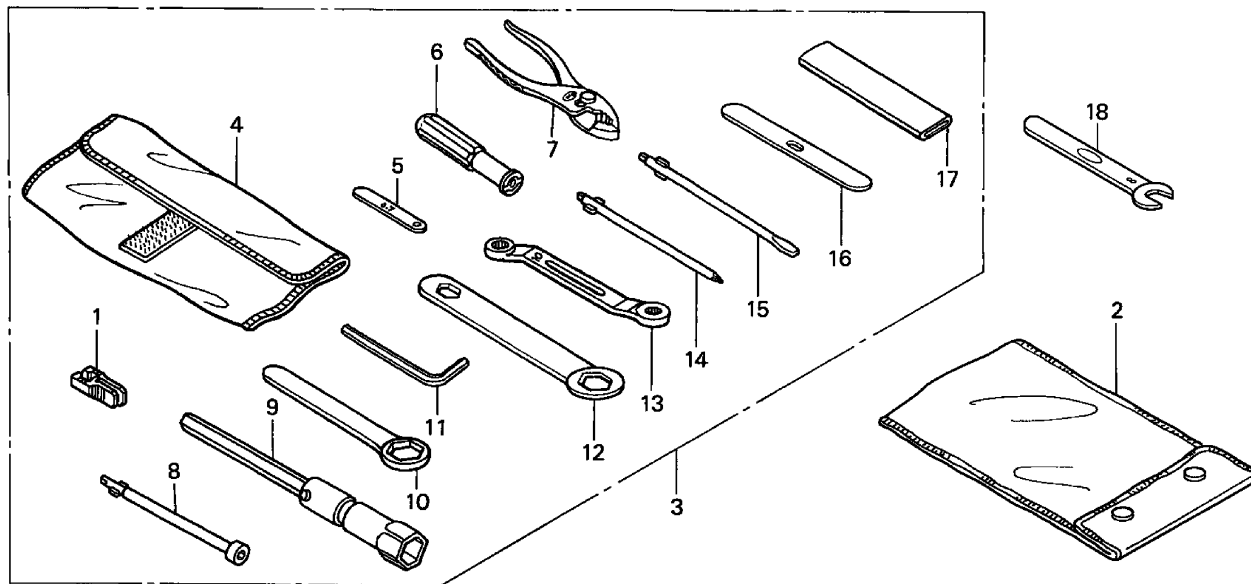
3 =ST1300'03
 3A=ST1300A'03
 4 =ST1300'04
 4A=ST1300A'04

F-37

Frame
Serial Number

Ref	Description	Model	From	To	AREA	QTY	Part Number	H/C
39	MAT A, HEAT GUARD	3 3A	-----	-----	AC	2	64363-MCS-G00	7367204
		4 4A	-----	-----	A	2	64363-MCS-G00	7367204
40	MAT B, HEAT GUARD	3 3A	-----	-----	AC	1	64364-MCS-G00	7367212
		4 4A	-----	-----	A	1	64364-MCS-G00	7367212
41	MAT C, HEAT GUARD	3 3A	-----	-----	AC	1	64365-MCS-G00	7367220
		4 4A	-----	-----	A	1	64365-MCS-G00	7367220
42	RUBBER, L. HEAT	3 3A	-----	-----	AC	1	64366-MCS-G00	7367238
		4 4A	-----	-----	A	1	64366-MCS-G00	7367238
43	RUBBER C, R. HEAT	3 3A	-----	-----	AC	1	64367-MCS-G00	7367246
		4 4A	-----	-----	A	1	64367-MCS-G00	7367246
44	MAT, L. FRAME	3 3A	-----	-----	AC	1	64374-MCS-G00	7367287
		4 4A	-----	-----	A	1	64374-MCS-G00	7367287
45	BAND, WIRE HARNESS	3 3A	-----	-----	AC	1	90650-MA6-720	1746650
		4 4A	-----	-----	A	1	90650-MA6-720	1746650
46	PLATE, CROSS HANGER	3 3A	-----	-----	AC	1	50318-MCS-G02	7646607
		4 4A	-----	-----	A	1	50318-MCS-G02	7646607
47	BOLT, FLANGE (8X40)	3 3A	-----	-----	AC	2	95701-08040-00	2298404
		4 4A	-----	-----	A	2	95701-08040-00	2298404
48	WASHER (10.5X27)	3 3A	-----	-----	AC	1	90405-752-830	2561223
		4 4A	-----	-----	A	1	90405-752-830	2561223
	WASHER (10.5X27X4)	3 3A	-----	-----	AC	1	90405-758-L00	3505161
		4 4A	-----	-----	A	1	90405-758-L00	3505161
49	WASHER, PLAIN (12MM)	3 3A	-----	-----	AC	1	90440-GT4-970	6622021
		4 4A	-----	-----	A	1	90440-GT4-970	6622021
50	NUT, FLANGE (8MM)	3 3A	-----	-----	AC	5	94050-08000	0481143
		4 4A	-----	-----	A	5	94050-08000	0481143
51	COLLAR, FR. ENGINE (LOWER)	3 3A	-----	-----	AC	2	50216-MCS-G02	7646615
		4 4A	-----	-----	A	2	50216-MCS-G02	7646615
53	CLIP, CORD	4	-----	-----	A	1	91405-943-000	1506856
54	WASHER, PLAIN (8MM)	4 4A	-----	-----	A	4	94102-08000	0199596
55	BOLT, FLANGE (6X10)	4	-----	-----	A	1	95701-06010-00	2410876
56	BOLT, FLANGE (8X35)	3 3A	-----	-----	AC	3	96300-08035-00	1829993
	BOLT, FLANGE (8X40)	4 4A	-----	-----	A	3	95701-08040-08	2374775
	BOLT, FLANGE (8X40)	4 4A	-----	-----	A	3	96300-08040-08	2254423

TOOLS



MCS4-F3800

MCS4F3800

3 =ST1300'03
 3A=ST1300A'03
 4 =ST1300'04
 4A=ST1300A'04

F-38

Frame
 Serial Number

Ref	Description	Model	From	To	AREA	QTY	Part Number	H/C
1	PULLER, MINI FUSE	3 3A	-----	-----	AC	1	38235-S04-003	4777629
		4 4A	-----	-----	A	1	38235-S04-003	4777629
2	BAG, OWNER'S MANUAL	3 3A	-----	-----	AC	1	83642-MN5-000	2821338
		4 4A	-----	-----	A	1	83642-MN5-000	2821338
3	TOOL SET	3 3A	-----	-----	AC	1	89010-MCS-G00	7128515
4	BAG, TOOL	3 3A	-----	-----	AC	1	89101-MBW-000	6091839
		4 4A	-----	-----	A	1	89101-MBW-000	6091839
5	GAUGE, FEELER (0.7)	3 3A	-----	-----	AC	1	89103-371-000	0443663
		4 4A	-----	-----	A	1	89103-371-000	0443663
6	GRIP	3 3A	-----	-----	AC	1	89103-538-000	0511170
		4 4A	-----	-----	A	1	89103-538-000	0511170
7	PLIERS (135) (RIKEN)	3 3A	-----	-----	AC	1	89210-GBJ-J00	6196968
		4 4A	-----	-----	A	1	89210-GBJ-J00	6196968
8	WRENCH, BOX (8MM)	3 3A	-----	-----	AC	1	89211-KJ2-000	2410462
		4 4A	-----	-----	A	1	89214-ML0-000	4526927
9	WRENCH, PLUG (16.5)	3 3A	-----	-----	AC	1	89216-MBG-000	5774864
		4 4A	-----	-----	A	1	89216-MBG-000	5774864
10	WRENCH, EYE (17MM)	3 3A	-----	-----	AC	1	89218-MF5-000	1400431
		4 4A	-----	-----	A	1	89218-MF5-000	1400431
	WRENCH, EYE (17)	3 3A	-----	-----	AC	1	89218-MN8-000	2901791
		4 4A	-----	-----	A	1	89218-MN8-000	2901791

TOOLS

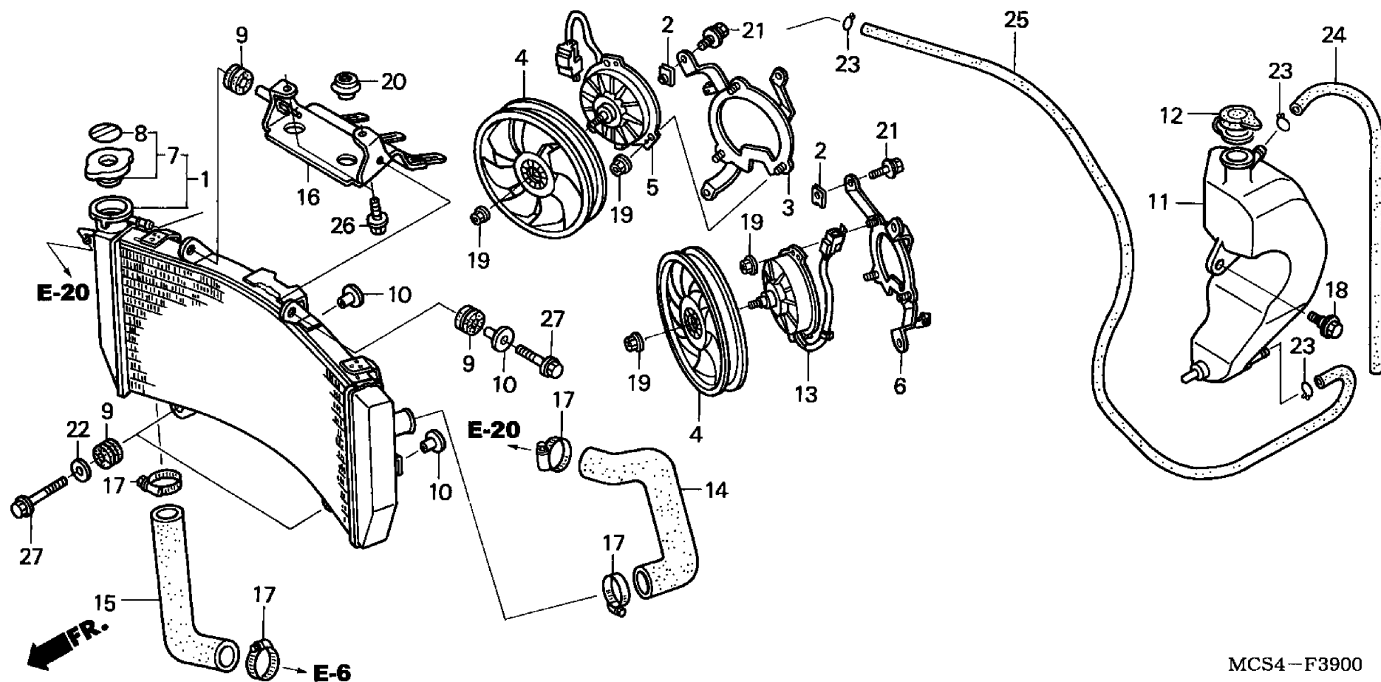
3 =ST1300'03
 3A=ST1300A'03
 4 =ST1300'04
 4A=ST1300A'04

F-38

Frame
Serial Number

Ref	Description	Model	From	To	AREA	QTY	Part Number	H/C
11	WRENCH, HEX. (5MM)	3 3A	-----	-----	AC	1	89221-429-000	0786046
		4 4A	-----	-----	A	1	89221-429-000	0786046
12	WRENCH, EYE (14X22).....	3 3A	-----	-----	AC	1	89223-MJ0-920	2410470
13	WRENCH, EYE (10X12).....	3 3A	-----	-----	AC	1	89227-461-000	0918813
		4 4A	-----	-----	A	1	89227-461-000	0918813
14	SCREWDRIVER 1, PHILLIPS (NO.2)	3 3A	-----	-----	AC	1	99003-10000	0052423
		4 4A	-----	-----	A	1	99003-10000	0052423
15	SCREWDRIVER 3, STRAIGHT SLOT (NO. 2)	3 3A	-----	-----	AC	1	99003-30000	0052449
		4 4A	-----	-----	A	1	99003-30000	0052449
16	LEVER, TIRE	3 3A	-----	-----	AC	1	99003-40000	0052456
17	HANDLE, EYE WRENCH (120MM)	3 3A	-----	-----	AC	1	99006-12000	0270496
		4 4A	-----	-----	A	1	89217-968-000	1798305
18	WRENCH (8MM) (OPEN END)	4 4A	-----	-----	A	1	99001-08000	0342766

RADIATOR



MCS4-F3900

MCS4F3900

3 =ST1300'03
 3A=ST1300A'03
 4 =ST1300'04
 4A=ST1300A'04

F-39

 Frame
 Serial Number

Ref	Description	Model	From	To	AREA	QTY	Part Number	H/C
1	RADIATOR	3 3A	-----	-----	AC	1	19010-MCS-G01	7124191
	RADIATOR	4 4A	-----	-----	A	1	19010-MCS-711	7682412
2	NUT, SET	3 3A	-----	-----	AC	6	19014-KEA-003	5213525
		4 4A	-----	-----	A	6	19014-KEA-003	5213525
3	SHROUD, R.	3 3A	-----	-----	AC	1	19015-MCS-G01	7124209
		4 4A	-----	-----	A	1	19015-MCS-G01	7124209
4	FAN, COOLING	3 3A	-----	-----	AC	2	19020-MEA-671	7081656
		4 4A	-----	-----	A	2	19020-MEA-671	7081656
5	MOTOR ASSY., R. FAN.....	3 3A	-----	-----	AC	1	19030-MCS-G00	7124217
		4 4A	-----	-----	A	1	19030-MCS-G00	7124217
6	SHROUD, L.	3 3A	-----	-----	AC	1	19035-MCS-G01	7124225
		4 4A	-----	-----	A	1	19035-MCS-G01	7124225
7	CAP, RADIATOR	3 3A	-----	-----	AC	1	19037-GEE-710	6976112
	CAP, RADIATOR	4 4A	-----	-----	A	1	19037-HN2-003	6589493
8	LABEL, RADIATOR CAP (DENSO)	3 3A	-----	-----	AC	1	19046-PAA-A00	5434295
	SEAL, RADIATOR CAP (ENGLISH)	4 4A	-----	-----	A	1	19055-HN2-003	6589501
9	RUBBER, RADIATOR MOUNTING	3 3A	-----	-----	AC	4	19051-KA3-830	1906759
		4 4A	-----	-----	A	4	19051-KA3-830	1906759
10	COLLAR, RADIATOR MOUNTING	3 3A	-----	-----	AC	3	19052-MN8-000	2897270
		4 4A	-----	-----	A	3	19052-MN8-000	2897270

RADIATOR

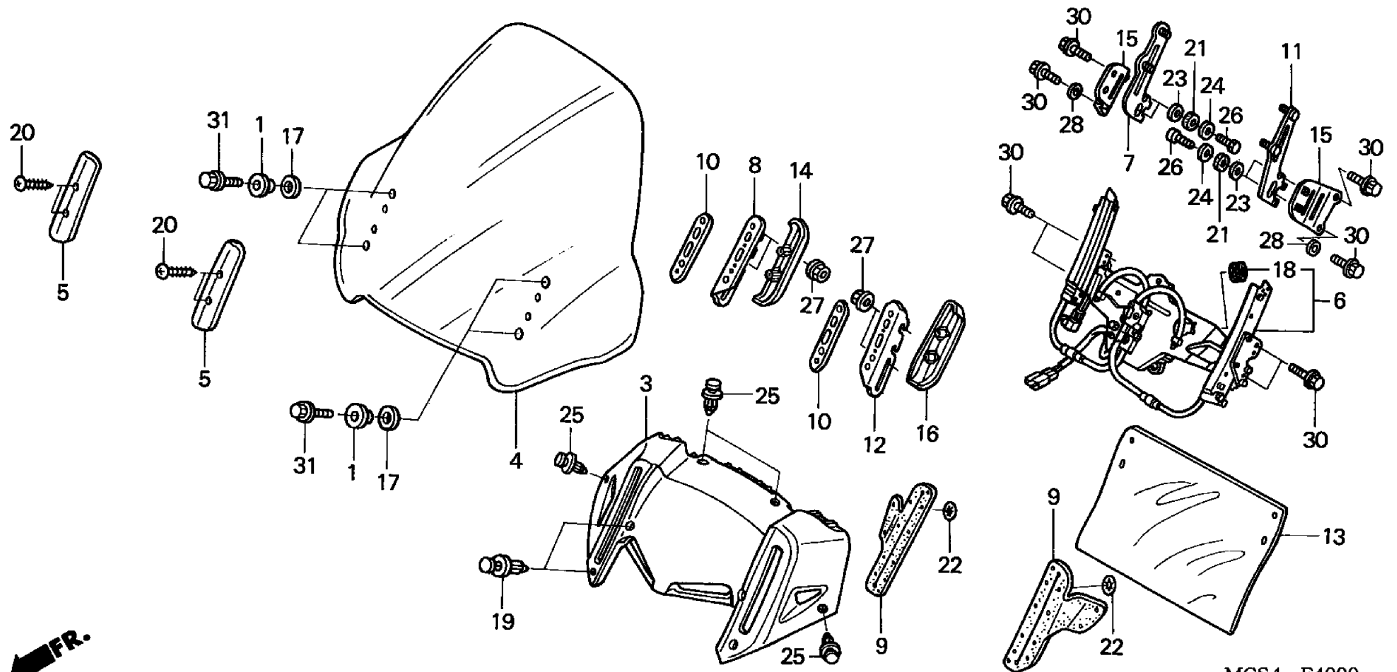
3 =ST1300'03
 3A=ST1300A'03
 4 =ST1300'04
 4A=ST1300A'04

F-39

Frame
Serial Number

Ref	Description	Model	From	To	AREA	QTY	Part Number	H/C
11	TANK, RESERVE.....	3 3A	-----	-----	AC	1	19101-MCS-G00	7124233
		4 4A	-----	-----	A	1	19101-MCS-G00	7124233
12	CAP, RESERVE TANK.....	3 3A	-----	-----	AC	1	19109-KPC-640	6759104
		4 4A	-----	-----	A	1	19109-KPC-640	6759104
13	MOTOR ASSY., L. FAN	3 3A	-----	-----	AC	1	19130-MCS-G00	7124258
		4 4A	-----	-----	A	1	19130-MCS-G00	7124258
14	HOSE, RADIATOR (UPPER)	3 3A	-----	-----	AC	1	19501-MCS-G00	7124340
		4 4A	-----	-----	A	1	19501-MCS-G00	7124340
15	HOSE, RADIATOR (LOWER)	3 3A	-----	-----	AC	1	19502-MCS-G00	7124357
		4 4A	-----	-----	A	1	19502-MCS-G00	7124357
16	STAY, RADIATOR (UPPER)	3 3A	-----	-----	AC	1	19515-MCS-G00	7124456
		4 4A	-----	-----	A	1	19515-MCS-G00	7124456
17	CLAMP, HOSE (30-37).....	3 3A	-----	-----	AC	4	19516-GAG-003	3822319
		4 4A	-----	-----	A	4	19516-GAG-003	3822319
18	BOLT, FLANGE (6MM).....	3 3A	-----	-----	AC	1	90111-162-000	0811141
		4 4A	-----	-----	A	1	90111-162-000	0811141
19	NUT, SERRATE (5MM)	3 3A	-----	-----	AC	8	90315-MK3-003	2045912
		4 4A	-----	-----	A	8	90315-MK3-003	2045912
20	PLUG, HOLE (20MM).....	3 3A	-----	-----	AC	2	90861-SA5-003	1590405
		4 4A	-----	-----	A	2	90861-SA5-003	1590405
21	BOLT-WASHER (6X14)	3 3A	-----	-----	AC	6	93401-06014-07	6978175
		4 4A	-----	-----	A	6	93401-06014-07	6978175
22	WASHER, PLAIN (6MM)	3 3A	-----	-----	AC	2	94103-06700	0622324
		4 4A	-----	-----	A	2	94103-06700	0622324
23	CLIP, TUBE (B10)	3 3A	-----	-----	AC	3	95002-02100	0250985
		4 4A	-----	-----	A	3	95002-02100	0250985
24	BULK HOSE, VACUUM (5.5X3000) (5.5X370)	3 3A	-----	-----	AC	1	95005-55003-20M	2449619
		4 4A	-----	-----	A	1	95005-55003-20M	2449619
25	BULK HOSE, VACUUM (5.5X3000) (5.3X990)	3 3A	-----	-----	AC	1	95005-55003-20M	2449619
		4 4A	-----	-----	A	1	95005-55003-20M	2449619
26	BOLT, FLANGE (6X12)	3 3A	-----	-----	AC	2	96001-06012-00	2105930
		4 4A	-----	-----	A	2	96001-06012-00	2105930
27	BOLT, FLANGE (6X25)	3 3A	-----	-----	AC	3	96001-06025-07	2105997
		4 4A	-----	-----	A	3	96001-06025-07	2105997

WIND SCREEN



3 =ST1300'03
 3A=ST1300A'03
 4 =ST1300'04
 4A=ST1300A'04

F-40

 Frame
 Serial Number

Ref	Description	Model	From	To	AREA	QTY	Part Number	H/C
1	COLLAR, SIDE COVER.....	3 3A	-----	-----	AC	4	61104-435-000	0785956
		4 4A	-----	-----	A	4	61104-435-000	0785956
3	COWL, WINDSCREEN (INNER)	3 3A	-----	-----	AC	1	64110-MCS-G01	7416506
		4 4A	-----	-----	A	1	64110-MCS-G01	7416506
4	WINDSCREEN	3 3A	-----	-----	AC	1	64150-MCS-G00	7127285
		4 4A	-----	-----	A	1	64150-MCS-G00	7127285
5	COVER, WINDSCREEN	3 3A	-----	-----	AC	2	64151-MCS-G00	7127293
		4 4A	-----	-----	A	2	64151-MCS-G00	7127293
6	ADJUSTER ASSY., WINDSCREEN.....	3A	-----	-----	AC	1	64170-MCS-G00	7127301
	ADJUSTER ASSY., WINDSCREEN.....	4 4A	-----	-----	A	1	64170-MCS-G01	7217284
		3A	-----	-----	AC	1	64170-MCS-G01	7217284
7	STAY, R. WINDSCREEN	3 3A	-----	-----	AC	1	64171-MCS-G00	7127319
	STAY, R. WINDSCREEN	4 4A	-----	-----	A	1	64171-MCS-G01	7679392
	STAY, R. WINDSCREEN	4 4A	-----	-----	A	1	64171-MCS-760	7679400
8	BRACKET, R. WINDSCREEN	3 3A	-----	-----	AC	1	64172-MCS-G00	7127327
		4 4A	-----	-----	A	1	64172-MCS-G00	7127327
9	SEAL, WINDSCREEN ADJUSTER	3 3A	-----	-----	AC	2	64174-MCS-G00	7127335
		4 4A	-----	-----	A	2	64174-MCS-G00	7127335
10	RUBBER, WINDSCREEN ADJUSTER	3 3A	-----	-----	AC	2	64175-MCS-G00	7127343
		4 4A	-----	-----	A	2	64175-MCS-G00	7127343

WIND SCREEN

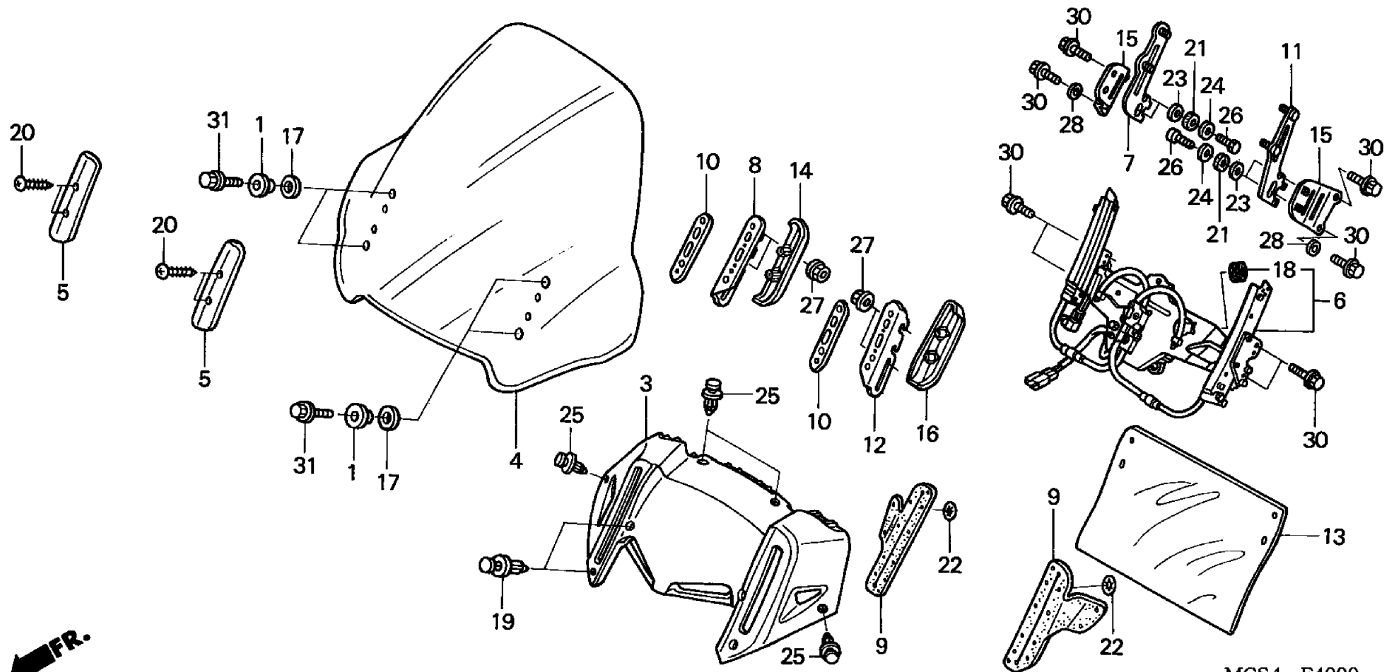
3 =ST1300'03
 3A=ST1300A'03
 4 =ST1300'04
 4A=ST1300A'04

F-40

Frame
Serial Number

Ref	Description	Model	From	To	AREA	QTY	Part Number	H/C
11	STAY, L. WINDSCREEN	3 3A	-----	-----	AC	1	64176-MCS-G00	7127350
	STAY, L. WINDSCREEN	4 4A	-----	-----	A	1	64176-MCS-G01	7679418
	STAY, L. WINDSCREEN	4 4A	-----	-----	A	1	64176-MCS-760	7679426
12	BRACKET, L. WINDSCREEN	3 3A	-----	-----	AC	1	64177-MCS-G00	7127368
		4 4A	-----	-----	A	1	64177-MCS-G00	7127368
13	COVER, WINDSCREEN ADJUSTER	3 3A	-----	-----	AC	1	64178-MCS-G00	7127376
		4 4A	-----	-----	A	1	64178-MCS-G00	7127376
14	COVER, R. WINDSCREEN BRACKET	3 3A	-----	-----	AC	1	64183-MCS-G00	7127384
		4 4A	-----	-----	A	1	64183-MCS-G00	7127384
15	PLATE, WINDSCREEN STAY	3	-----	-----	AC	2	64184-MCS-640	7127392
16	COVER, L. WINDSCREEN BRACKET	3 3A	-----	-----	AC	1	64188-MCS-G00	7127400
		4 4A	-----	-----	A	1	64188-MCS-G00	7127400
17	RETAINER, PLASTIC.....	3 3A	-----	-----	AC	4	64509-MK4-000	2410322
		4 4A	-----	-----	A	4	64509-MK4-000	2410322
18	GROMMET A, WINDSCREEN.....	4 4A	-----	-----	A	1	64527-MBC-000	5377924
		3A	-----	-----	AC	1	64527-MBC-000	5377924
19	RIVET, PUSH.....	3 3A	-----	-----	AC	4	90116-MCS-G00	7128697
		4 4A	-----	-----	A	4	90116-MCS-G00	7128697
20	SCREW, PAN (4X25).....	3 3A	-----	-----	AC	4	90126-MCS-G00	7128762
		4 4A	-----	-----	A	4	90126-MCS-G00	7128762
21	WASHER, BUMPER BOLT	3 3A	-----	-----	AC	4	90148-SAO-000	2256816
		4 4A	-----	-----	A	4	90148-SAO-000	2256816
22	NUT, SPEED	3 3A	-----	-----	AC	24	90310-SB2-003	1640069
		4 4A	-----	-----	A	24	90310-SB2-003	1640069
23	WASHER	3 3A	-----	-----	AC	4	90501-MT2-000	3361995
		4 4A	-----	-----	A	4	90501-MT2-000	3361995
24	WASHER (6X20)	3 3A	-----	-----	AC	4	90512-MBY-000	6092266
		4 4A	-----	-----	A	4	90512-MBY-000	6092266
25	CLIP, SPLASH	3 3A	-----	-----	AC	4	90657-SB0-003	1477280
		4 4A	-----	-----	A	4	90657-SB0-003	1477280
26	BOLT, HEX. (6X12)	3 3A	-----	-----	AC	4	92101-06012-0G	2910917
	BOLT, FLANGE (6X12)	3 3A	-----	-----	AC	4	96001-06012-07	2105948
	BOLT, HEX. (6X14)	4 4A	-----	-----	A	4	92101-06014-0A	2552198
27	NUT, FLANGE (6MM).....	3 3A	-----	-----	AC	4	94050-06070	2322832
		4 4A	-----	-----	A	4	94050-06070	2322832
28	WASHER, PLAIN (6MM)	3	-----	-----	AC	2	94101-06800	0345900
30	BOLT, FLANGE (6X16)	3 3A	-----	-----	AC	4	96001-06016-00	2105955
		4 4A	-----	-----	A	4	96001-06016-00	2105955
31	BOLT, FLANGE (6X18)	3 3A	-----	-----	AC	4	96001-06018-07	2737757

WIND SCREEN



MCS4-F4000

MCS4F4000

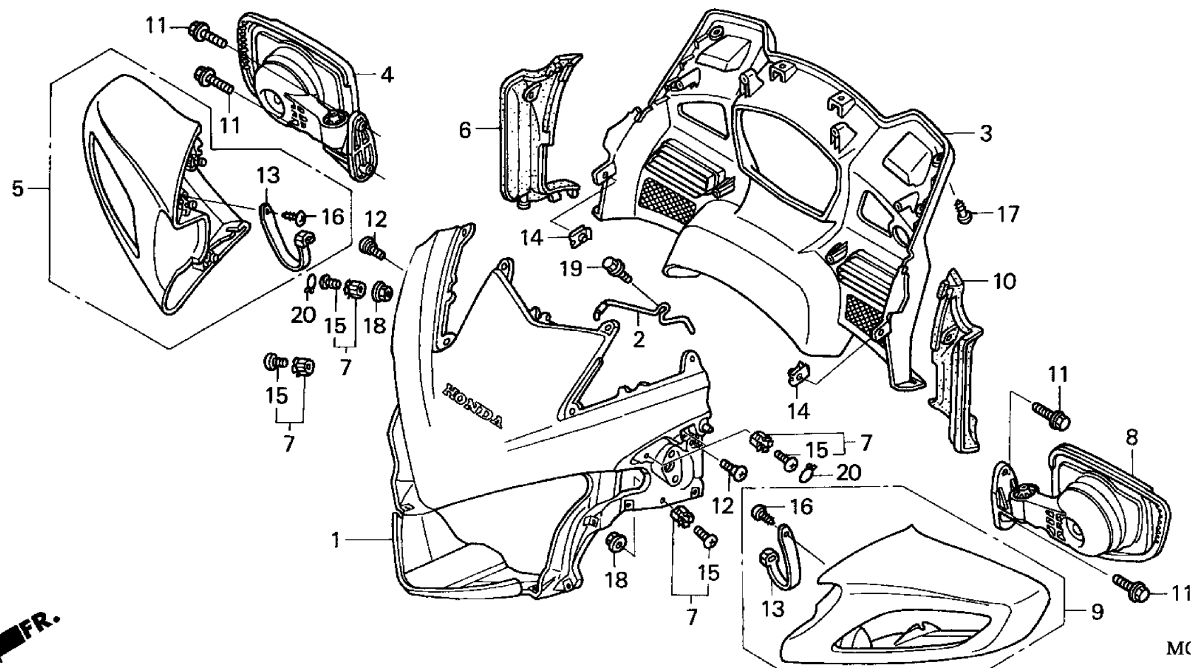
3 =ST1300'03
 3A=ST1300A'03
 4 =ST1300'04
 4A=ST1300A'04

F-40

Frame
 Serial Number

Ref	Description	Model	From	To	AREA	QTY	Part Number	H/C
31	BOLT, FLANGE (6X18)	4 4A	-----	-----	A	4	96001-06018-07	2737757

UPPER COWL



MCS4-F4100C

MCS4F4100C

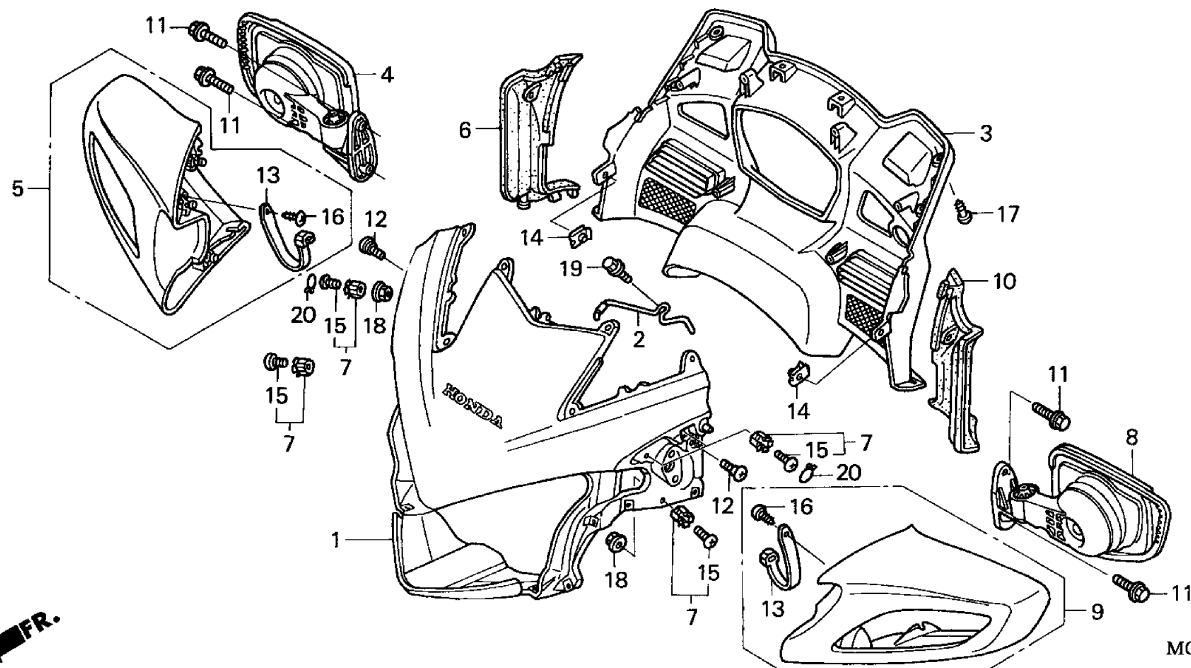
3 =ST1300'03
 3A=ST1300A'03
 4 =ST1300'04
 4A=ST1300A'04

F-41

Frame
 Serial Number

Ref	Description	Model	From	To	AREA	QTY	Part Number	H/C
1	COWL SET (UPPER) *NH478M* (WL) (TOWER SILVER METALLIC)	3 3A	-----	-----	AC	1	64210-MCS-G00ZE	7127426
	COWL SET (UPPER) *PB255P* (WL) (PEARL CORONADO BLUE).....	4 4A	-----	-----	A	1	64210-MCS-G00ZH	7679434
2	GUIDE, COWL (UPPER)	3 3A	-----	-----	AC	1	64215-MCS-G00	7127434
		4 4A	-----	-----	A	1	64215-MCS-G00	7127434
3	PANEL, METER	3 3A	-----	-----	AC	1	64330-MCS-G00	7127632
		4 4A	-----	-----	A	1	64330-MCS-G00	7127632
4	MIRROR ASSY., R. BACK (USE P/NO. 95002-02100 CLIP B, HOSE TO FASTEN MIRROR BACK)	3 3A	-----	-----	AC	1	88110-MCS-G01	7128457
		4 4A	-----	-----	A	1	88110-MCS-G01	7128457
5	COVER, R. MIRROR *NH478M* (TOWER SILVER METALLIC).....	3 3A	-----	-----	AC	1	88111-MCS-G00ZB	7128465
	COVER, R. MIRROR *PB255P* (PEARL CORONADO BLUE).....	4 4A	-----	-----	A	1	88111-MCS-G00ZE	7679608
6	RUBBER, R. MIRROR COVER	3 3A	-----	-----	AC	1	88112-MCS-G00	7128473
		4 4A	-----	-----	A	1	88112-MCS-G00	7128473
7	WASHER, MIRROR SETTING SPRING	3 3A	-----	-----	AC	6	88115-MT3-000	3487568
		4 4A	-----	-----	A	6	88115-MT3-000	3487568

UPPER COWL



MCS4-F4100C

MCS4F4100C

3 =ST1300'03
 3A=ST1300A'03
 4 =ST1300'04
 4A=ST1300A'04

F-41

Frame
 Serial Number

Ref	Description	Model	From	To	AREA	QTY	Part Number	H/C
8	MIRROR ASSY., L. BACK (USE P/NO. 95002-02100 CLIP B, HOSE TO FASTEN MIRROR BACK)	3 3A	-----	-----	AC	1	88120-MCS-G01	7128481
		4 4A	-----	-----	A	1	88120-MCS-G01	7128481
9	COVER, L. MIRROR *NH478M* (TOWER SILVER METALLIC).....	3 3A	-----	-----	AC	1	88121-MCS-G00ZB	7128499
		4 4A	-----	-----	A	1	88121-MCS-G00ZE	7679616
10	RUBBER, L. MIRROR COVER	3 3A	-----	-----	AC	1	88122-MCS-G00	7128507
		4 4A	-----	-----	A	1	88122-MCS-G00	7128507
11	BOLT, FLANGE (6X20)	3 3A	-----	-----	AC	4	96001-06020-00	2529154
		4 4A	-----	-----	A	4	96001-06020-00	2529154
12	SCREW, PAN (5X13).....	3 3A	-----	-----	AC	2	90117-MN5-000	2810778
		4 4A	-----	-----	A	2	90133-MCS-G00	7128804
13	BAND, WIRE HARNESS	3 3A	-----	-----	AC	2	90650-MA6-720	1746650
		4 4A	-----	-----	A	2	90650-MA6-720	1746650
14	NUT, CLIP (5MM).....	3 3A	-----	-----	AC	2	90677-KAN-961	5750450
		4 4A	-----	-----	A	2	90677-KAN-961	5750450
15	SCREW, PAN (5X12).....	3 3A	-----	-----	AC	6	93500-05012-0A	0173567
		4 4A	-----	-----	A	6	93500-05012-0A	0173567
16	SCREW, TAPPING (3X12).....	3 3A	-----	-----	AC	2	93903-22320	2552255

UPPER COWL

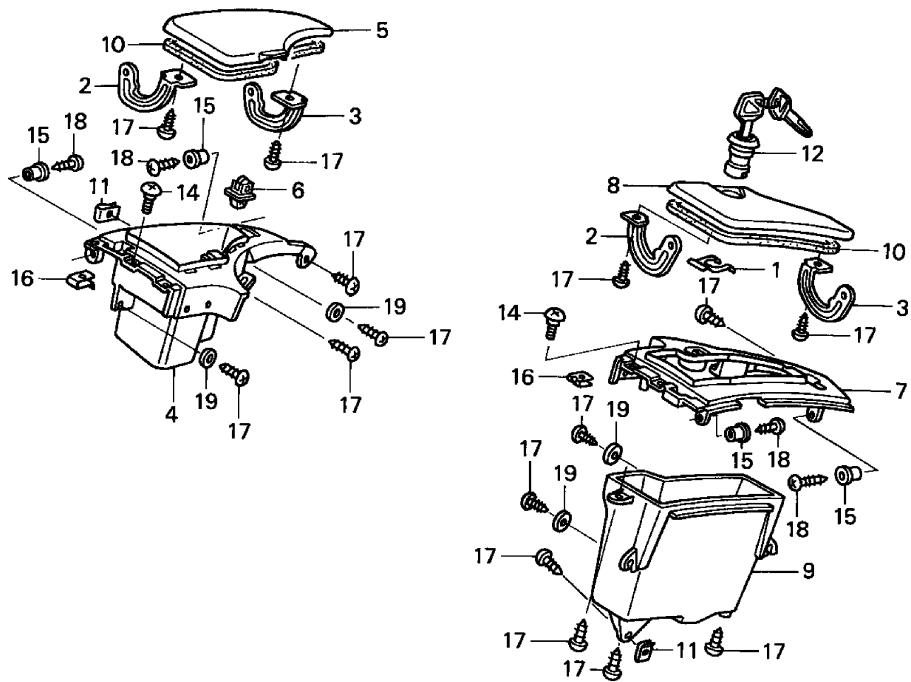
3 =ST1300'03
 3A=ST1300A'03
 4 =ST1300'04
 4A=ST1300A'04

F-41

Frame
Serial Number

Ref	Description	Model	From	To	AREA	QTY	Part Number	H/C
16	SCREW, TAPPING (3X12).....	4 4A	-----	-----	A	2	93903-22320	2552255
17	SCREW, TAPPING (4X12).....	3 3A	-----	-----	AC	4	93903-24380	0562090
		4 4A	-----	-----	A	4	93903-24380	0562090
18	NUT, FLANGE (5MM).....	3 3A	-----	-----	AC	6	94050-05000	0636951
		4 4A	-----	-----	A	6	94050-05000	0636951
19	BOLT, FLANGE (6X14)	3 3A	-----	-----	AC	1	95701-06014-00	2410884
		4 4A	-----	-----	A	1	95701-06014-00	2410884
20	CLIP, TUBE (B10)	3 3A	-----	-----	AC	4	95002-02100	0250985
		4 4A	-----	-----	A	4	95002-02100	0250985

COWL POCKET



MCS4-F4200

MCS4F4200

3 =ST1300'03
 3A=ST1300A'03
 4 =ST1300'04
 4A=ST1300A'04

F-42

 Frame
 Serial Number

Ref	Description	Model	From	To	AREA	QTY	Part Number	H/C
1	SPRING, LOCK KEY SETTING	3 3A	-----	-----	AC	1	37222-MCS-G00	7125669
		4 4A	-----	-----	A	1	37222-MCS-G00	7125669
2	ARM A, POCKET LID	3 3A	-----	-----	AC	2	64222-MCS-G00	7127459
		4 4A	-----	-----	A	2	64222-MCS-G00	7127459
3	ARM B, POCKET LID	3 3A	-----	-----	AC	2	64223-MCS-G00	7127467
		4 4A	-----	-----	A	2	64223-MCS-G00	7127467
4	POCKET, R. COWL	3 3A	-----	-----	AC	1	64225-MCS-G00	7127475
		4 4A	-----	-----	A	1	64225-MCS-G00	7127475
5	LID, R. POCKET	3 3A	-----	-----	AC	1	64226-MCS-G00	7127483
		4 4A	-----	-----	A	1	64226-MCS-G00	7127483
6	LATCH & STRIKER	3 3A	-----	-----	AC	1	64229-MCS-G00	7127491
		4 4A	-----	-----	A	1	64229-MCS-G00	7127491
7	POCKET, L. COWL	3 3A	-----	-----	AC	1	64235-MCS-G00	7127509
		4 4A	-----	-----	A	1	64235-MCS-G00	7127509
8	LID, L. POCKET	3 3A	-----	-----	AC	1	64236-MCS-G00	7127517
		4 4A	-----	-----	A	1	64236-MCS-G00	7127517
9	POCKET B, L. COWL	3 3A	-----	-----	AC	1	64237-MCS-G00	7127525
		4 4A	-----	-----	A	1	64237-MCS-G00	7127525
10	SEAL, POCKET B	3 3A	-----	-----	AC	2	64277-MCS-G00	7127558
		4 4A	-----	-----	A	2	64277-MCS-G00	7127558
11	NUT, COWL (UPPER)	3 3A	-----	-----	AC	2	66871-KY2-700	6114243

COWL POCKET

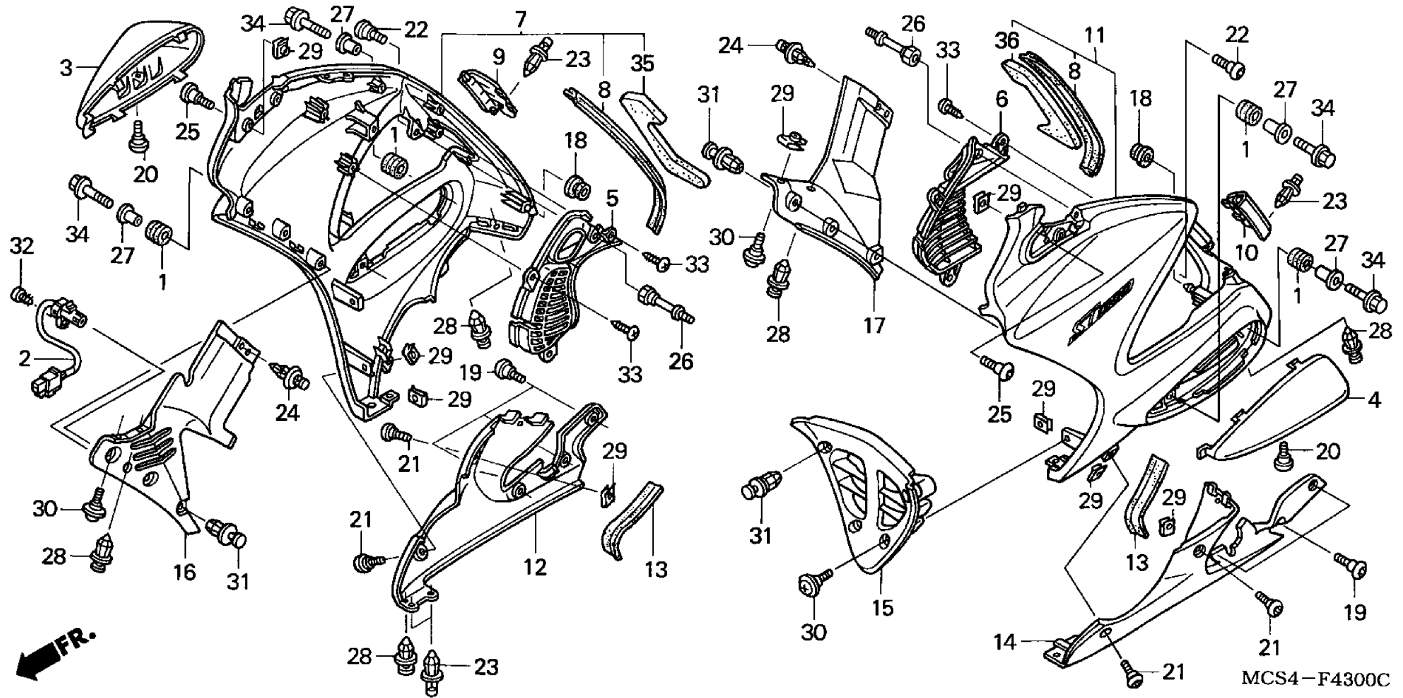
3 =ST1300'03
 3A=ST1300A'03
 4 =ST1300'04
 4A=ST1300A'04

F-42

Frame
Serial Number

Ref	Description	Model	From	To	AREA	QTY	Part Number	H/C
11	NUT, COWL (UPPER)	4 4A	-----	-----	A	2	66871-KY2-700	6114243
12	LOCK ASSY., POCKET LID.....	3 3A	-----	-----	AC	1	77233-MBL-611	7127814
		4 4A	-----	-----	A	1	77233-MBL-611	7127814
14	SCREW, PAN (5X13).....	3 3A	-----	-----	AC	4	90133-MCS-G00	7128804
		4 4A	-----	-----	A	4	90133-MCS-G00	7128804
15	COLLAR (7.5X6.8)	3 3A	-----	-----	AC	4	90501-437-710	0963892
		4 4A	-----	-----	A	4	90501-437-710	0963892
16	NUT, CLIP (5MM).....	3 3A	-----	-----	AC	4	90677-KAN-961	5750450
		4 4A	-----	-----	A	4	90677-KAN-961	5750450
17	SCREW, TAPPING (4X12).....	3 3A	-----	-----	AC	15	93903-24380	0562090
		4 4A	-----	-----	A	15	93903-24380	0562090
18	SCREW, TAPPING (5X16).....	3 3A	-----	-----	AC	4	93903-25380	1172139
		4 4A	-----	-----	A	4	93903-25380	1172139
19	WASHER, PLAIN (4MM)	3 3A	-----	-----	AC	4	94101-04700	0238881
		4 4A	-----	-----	A	4	94101-04700	0238881

LOWER COWL



3 =ST1300'03
3A=ST1300A'03
4 =ST1300'04
4A=ST1300A'04

F-43

Frame
Serial Number

Ref	Description	Model	From	To	AREA	QTY	Part Number	H/C	
1	RUBBER, CUSHION	3 3A	-----	-----	AC	4	17622-GB7-900	2025013	
		4 4A	-----	-----	A	4	17622-GB7-900	2025013	
2	SENSOR, OPEN AIR TEMPERATURE	3 3A	-----	-----	AC	1	37890-MCS-G01	7125701	
		4 4A	-----	-----	A	1	37890-MCS-G01	7125701	
3	COVER, R. ENGINE GUARD.....	3 3A	-----	-----	AC	1	64260-MCS-G01	7360597	
		4 4A	-----	-----	A	1	64260-MCS-G01	7360597	
4	COVER, L. ENGINE GUARD	3 3A	-----	-----	AC	1	64265-MCS-G01	7360605	
		4 4A	-----	-----	A	1	64265-MCS-G01	7360605	
5	LOUVER, R. COWL SIDE	3 3A	-----	-----	AC	1	64285-MCS-G00	7127566	
		4 4A	-----	-----	A	1	64285-MCS-G00	7127566	
6	LOUVER, L. COWL SIDE.....	3 3A	-----	-----	AC	1	64295-MCS-G00	7127574	
		4 4A	-----	-----	A	1	64295-MCS-G00	7127574	
7	COWL SET, R. MIDDLE (TYPE2) (WL)	3	-----	-----	AC	1	64300-MCS-771ZB	7367139	
		COWL SET, R. MIDDLE (TYPE2) (WL)	3A	-----	-----	AC	1	64300-MCS-L01ZC	7367121
		COWL SET, R. MIDDLE (TYPE1) (WL)	4 4A	-----	-----	A	1	64300-MCS-710ZA	7679459
8	SEAL, MIDDLE COWL.....	3 3A	-----	-----	AC	2	64322-MCS-G00	7127608	
		4 4A	-----	-----	A	2	64322-MCS-G00	7127608	
9	LID, R. MIDDLE COWL *NH478M* (TOWER SILVER METALLIC)	3 3A	-----	-----	AC	1	64323-MCS-G00ZB	7127616	
		LID, R. MIDDLE COWL *PB255P* (PEARL CORONADO BLUE).....	4 4A	-----	-----	A	1	64323-MCS-G00ZE	7679467

LOWER COWL

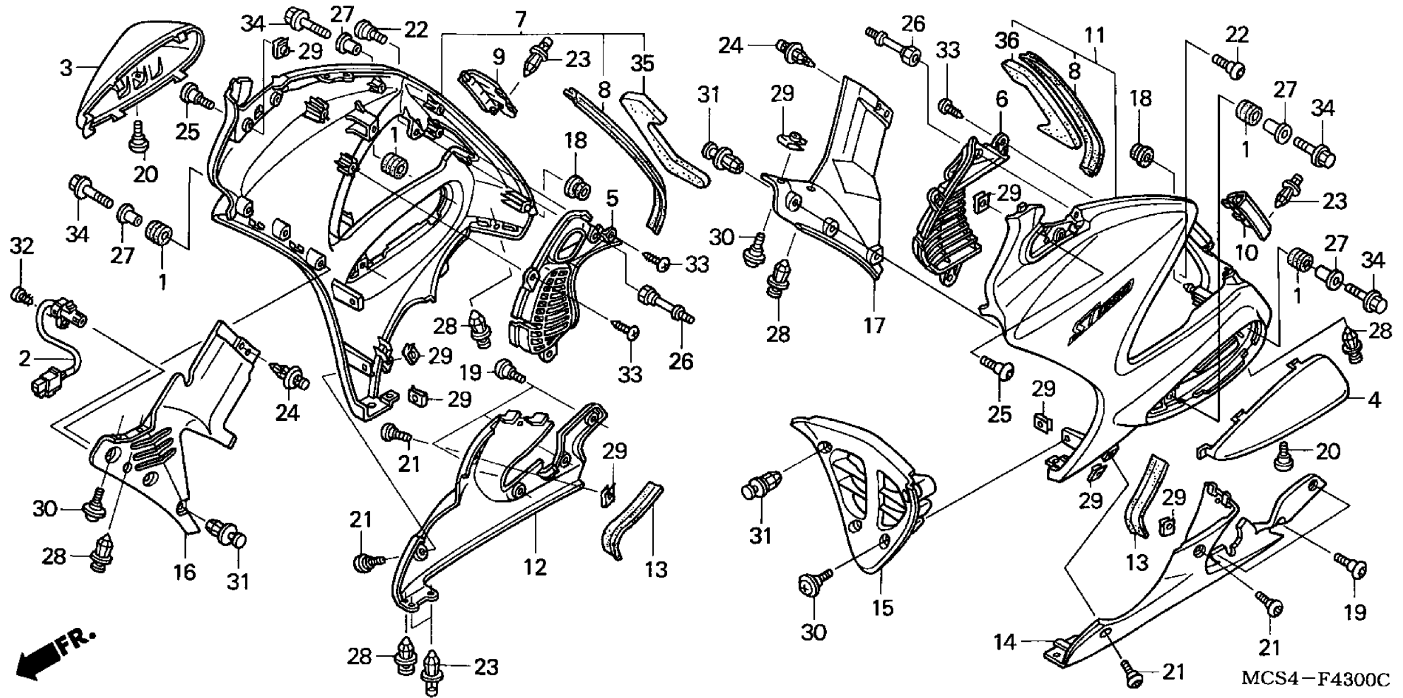
3 =ST1300'03
 3A=ST1300A'03
 4 =ST1300'04
 4A=ST1300A'04

F-43

Frame
Serial Number

Ref	Description	Model	From	To	AREA	QTY	Part Number	H/C
10	LID, L. MIDDLE COWL *NH478M* (TOWER SILVER METALLIC)	3 3A	-----	-----	AC	1	64328-MCS-G00ZB	7127624
	LID, L. MIDDLE COWL *PB255P* (PEARL CORONADO BLUE).....	4 4A	-----	-----	A	1	64328-MCS-G00ZE	7679475
11	COWL SET, L. MIDDLE (TYPE2) (WL)	3	-----	-----	AC	1	64350-MCS-771ZB	7367170
	COWL SET, L. MIDDLE (TYPE2) (WL)	3A	-----	-----	AC	1	64350-MCS-L01ZC	7367162
	COWL SET, L. MIDDLE (TYPE1) (WL)	4 4A	-----	-----	A	1	64350-MCS-710ZA	7679483
12	COWL, R. (LOWER).....	3 3A	-----	-----	AC	1	64410-MCS-G01	7685688
	COWL, R. (LOWER).....	4 4A	-----	-----	A	1	64400-MCS-760	7679491
13	SEAL, COWL (LOWER)	3 3A	-----	-----	AC	2	64412-MCS-G00	7127673
		4 4A	-----	-----	A	2	64412-MCS-G00	7127673
14	COWL, L. (LOWER)	3 3A	-----	-----	AC	1	64460-MCS-G01	7685720
	COWL, L. (LOWER)	4 4A	-----	-----	A	1	64450-MCS-760	7679509
15	COWL (LOWER) (INNER)	3 3A	-----	-----	AC	1	64510-MCS-G00	7127707
		4 4A	-----	-----	A	1	64510-MCS-G00	7127707
16	COWL, R. (INNER).....	3 3A	-----	-----	AC	1	64592-MCS-G00	7127715
		4 4A	-----	-----	A	1	64592-MCS-G00	7127715
17	COWL, L. (INNER)	3 3A	-----	-----	AC	1	64597-MCS-G00	7127723
		4 4A	-----	-----	A	1	64597-MCS-G00	7127723
18	GROMMET, SIDE COVER.....	3 3A	-----	-----	AC	3	83601-MN5-000	2810133
		4 4A	-----	-----	A	2	83601-MN5-000	2810133
19	SCREW, SPECIAL (6MM)	3 3A	-----	-----	AC	6	90106-KCZ-000	4774329
	SCREW, PAN (6X14)	4 4A	-----	-----	A	6	90118-MR1-000	2866127
20	SCREW, PAN (6X11)	3 3A	-----	-----	AC	2	90106-KY2-701	3134053
		4 4A	-----	-----	A	2	90106-KY2-701	3134053
21	SCREW, SPECIAL (5X12)	3 3A	-----	-----	AC	4	90106-MBY-000	6092043
		4 4A	-----	-----	A	4	90106-MBY-000	6092043
22	SCREW, PAN (6X14)	3 3A	-----	-----	AC	2	90113-MM5-000	2568855
		4 4A	-----	-----	A	2	90113-MM5-000	2568855
23	RIVET, PUSH	3 3A	-----	-----	AC	4	90116-MCS-G00	7128697
		4 4A	-----	-----	A	4	90116-MCS-G00	7128697
24	CLIP, BUMPER SEAL	3 3A	-----	-----	AC	4	90116-SP0-003	3674520
		4 4A	-----	-----	A	4	90116-SP0-003	3674520
25	SCREW, PAN (5X13)	3 3A	-----	-----	AC	4	90133-MCS-G00	7128804
		4 4A	-----	-----	A	4	90133-MCS-G00	7128804
26	BOLT, MIDDLE COWL.....	3 3A	-----	-----	AC	2	90135-MCS-G01	7128820
		4 4A	-----	-----	A	2	90135-MCS-G01	7128820
27	WASHER, FR. COVER SETTING	3 3A	-----	-----	AC	4	90501-124-000	0398420
		4 4A	-----	-----	A	4	90501-124-000	0398420

LOWER COWL



MCS4-F4300C

MCS4F4300C

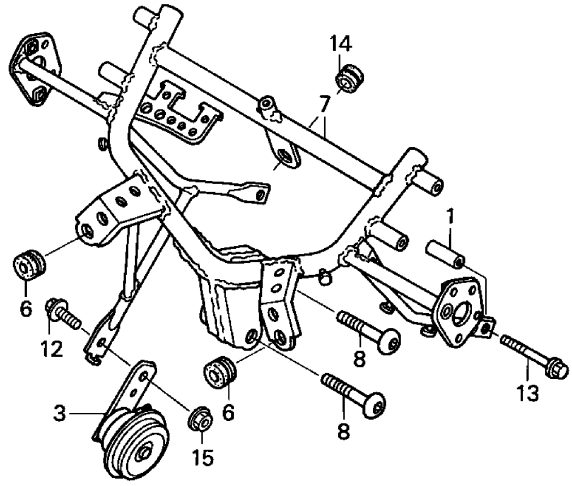
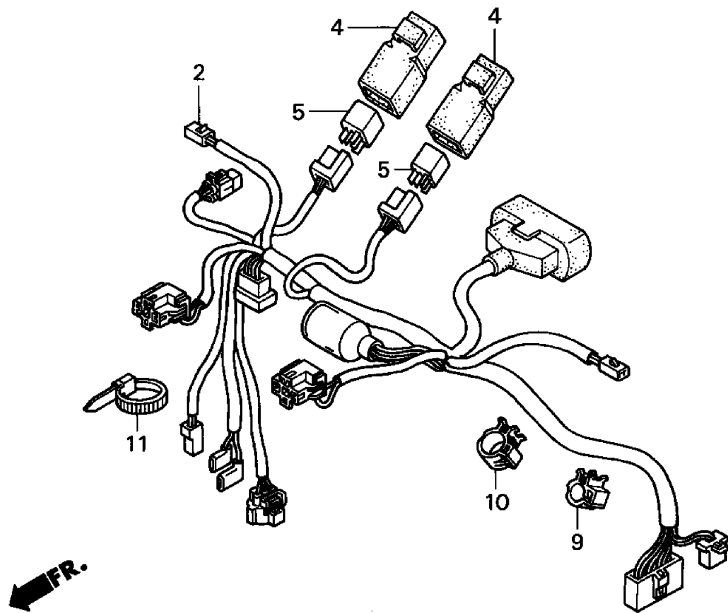
3 =ST1300'03
 3A=ST1300A'03
 4 =ST1300'04
 4A=ST1300A'04

F-43

Frame
 Serial Number

Ref	Description	Model	From	To	AREA	QTY	Part Number	H/C
28	CLIP, SPLASH	3 3A	-----	-----	AC	6	90657-SB0-003	1477280
		4 4A	-----	-----	A	6	90657-SB0-003	1477280
29	NUT, CLIP (5MM).....	3 3A	-----	-----	AC	12	90677-KAN-961	5750450
		4 4A	-----	-----	A	12	90677-KAN-961	5750450
30	SCREW, PAN (5X11.5)	3 3A	-----	-----	AC	4	91509-GE2-760	3491735
		4 4A	-----	-----	A	4	90133-MCS-G00	7128804
31	CLIP, PANEL FIXING *NH1* (BLACK).....	3 3A	-----	-----	AC	8	91549-MW0-790ZA	4230462
		4 4A	-----	-----	A	8	91549-MW0-790ZA	4230462
32	SCREW, TAPPING (4X10).....	3 3A	-----	-----	AC	1	93903-24280	0562082
		4 4A	-----	-----	A	1	93903-24280	0562082
33	SCREW, TAPPING (4X12).....	3 3A	-----	-----	AC	6	93903-24380	0562090
		4 4A	-----	-----	A	6	93903-24380	0562090
34	BOLT, FLANGE (6X16)	3 3A	-----	-----	AC	4	96001-06016-00	2105955
		4 4A	-----	-----	A	4	96001-06016-00	2105955
35	MAT, R. MIDDLE COWL	3 3A	-----	-----	AC	1	64321-MCS-G00	7367147
		4 4A	-----	-----	A	1	64321-MCS-G00	7367147
36	MAT, L. MIDDLE COWL.....	3 3A	-----	-----	AC	1	64371-MCS-G00	7367279
		4 4A	-----	-----	A	1	64371-MCS-G00	7367279

COWL STAY



MCS4-F4400

MCS4F4400

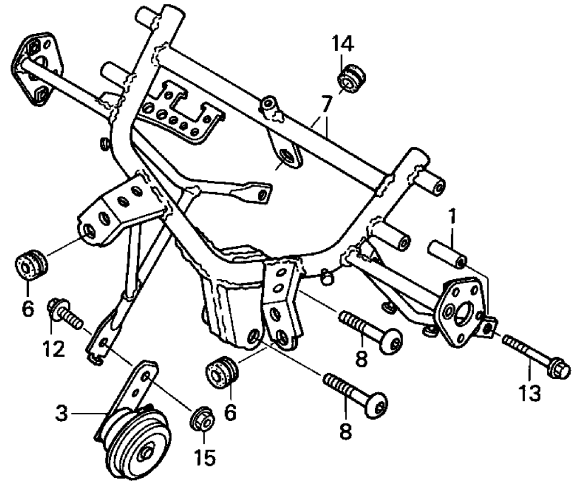
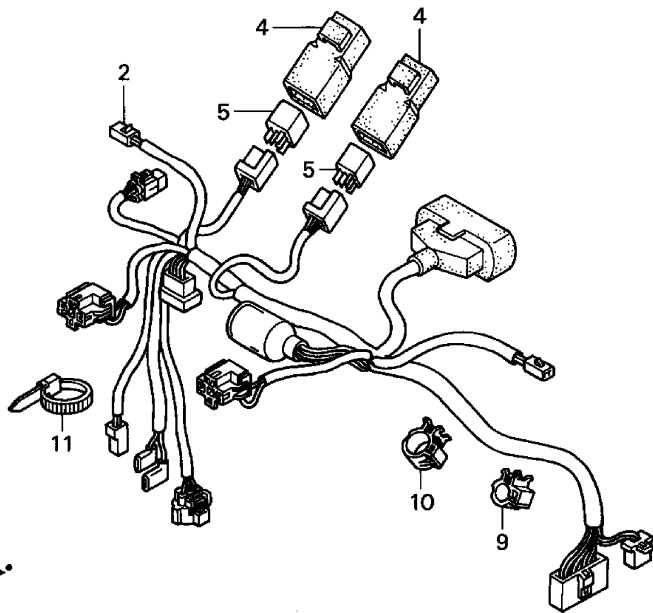
3 =ST1300'03
 3A=ST1300A'03
 4 =ST1300'04
 4A=ST1300A'04

F-44

Frame
 Serial Number

Ref	Description	Model	From	To	AREA	QTY	Part Number	H/C
1	COLLAR (6X30)	3 3A	-----	-----	AC	2	90501-MCS-G02	7646623
		4 4A	-----	-----	A	2	90501-MCS-G02	7646623
2	SUB-HARNESS, FAIRING	3	-----	-----	AC	1	32105-MCS-770	7125255
		3A	-----	-----	AC	1	32105-MCS-L00	7125248
		4 4A	-----	-----	A	1	32105-MCS-710	7679137
3	HORN (LOW)	3 3A	-----	-----	AC	1	38120-MY3-780	4047502
		4 4A	-----	-----	A	1	38120-MY3-780	4047502
4	SUSPENSION, POWER RELAY	4 4A	-----	-----	A	2	38306-MCA-000	6537195
		3A	-----	-----	AC	2	38306-MCA-000	6537195
5	RELAY, POWER (MICRO ISO 5P)	4 4A	-----	-----	A	2	38502-MCS-G00	7125768
		3A	-----	-----	AC	2	38502-MCS-G00	7125768
6	RUBBER A, BATTERY HOLDER.....	3 3A	-----	-----	AC	2	50328-HA7-670	2102838
		4 4A	-----	-----	A	2	50328-HA7-670	2102838
7	STAY, COWL (UPPER)	3 3A	-----	-----	AC	1	64500-MCS-G00	7127699
		4 4A	-----	-----	A	1	64500-MCS-G00	7127699
8	BOLT, SOCKET (10X42)	3 3A	-----	-----	AC	2	90125-MCS-G00	7128754
		4 4A	-----	-----	A	2	90125-MCS-G00	7128754
9	CLIP, CABLE (15MM).....	3 3A	-----	-----	AC	2	90690-GHB-651	2847317
		4 4A	-----	-----	A	2	90690-GHB-651	2847317
10	CLIP, CABLE (20MM).....	3 3A	-----	-----	AC	2	90690-GHB-661	2847325
		4 4A	-----	-----	A	2	90690-GHB-661	2847325

COWL STAY



MCS4-F4400

MCS4F4400

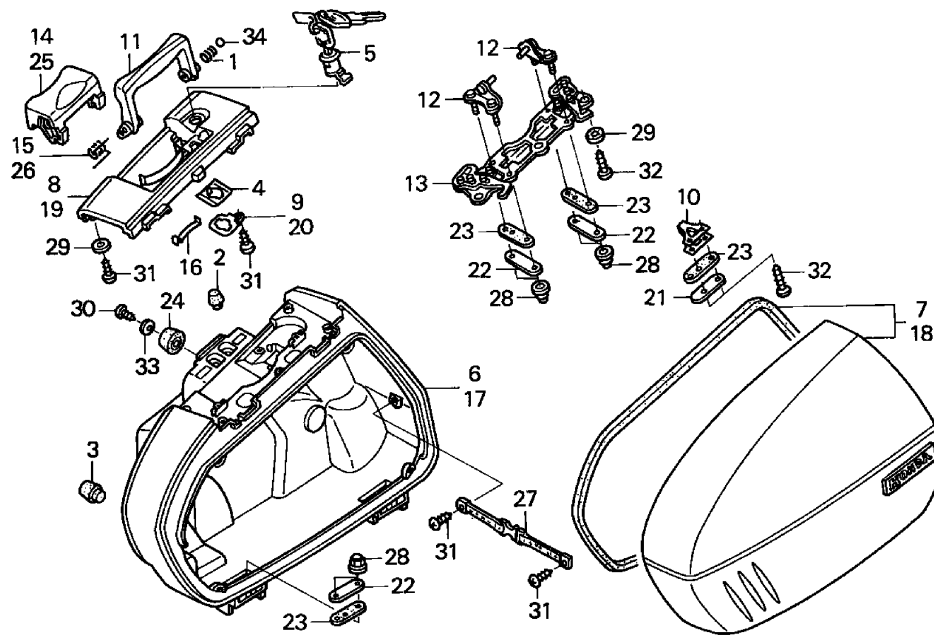
3 =ST1300'03
 3A=ST1300A'03
 4 =ST1300'04
 4A=ST1300A'04

F-44

Frame
 Serial Number

Ref	Description	Model	From	To	AREA	QTY	Part Number	H/C
11	BAND, HARNESS	3 3A	-----	-----	AC	1	91548-SA5-003	3492196
		4 4A	-----	-----	A	1	91548-SA5-003	3492196
12	BOLT, FLANGE (6X12)	3 3A	-----	-----	AC	1	95701-06012-07	2387108
		4 4A	-----	-----	A	1	95701-06012-07	2387108
13	BOLT, FLANGE (6X45)	3 3A	-----	-----	AC	2	95701-06045-00	2529089
		4 4A	-----	-----	A	2	95701-06045-00	2529089
		3 3A	-----	-----	AC	2	95701-06045-07	2410967
		4 4A	-----	-----	A	2	95701-06045-07	2410967
14	RUBBER, PROTECTOR GASKET.....	3 3A	-----	-----	AC	1	18293-GZ5-000	4220042
		4 4A	-----	-----	A	1	18293-GZ5-000	4220042
15	NUT, FLANGE (6MM).....	3 3A	-----	-----	AC	1	94050-06070	2322832
		4 4A	-----	-----	A	1	94050-06070	2322832

SADDLE BAG



MCS4-F4500A

MCS4F4500A

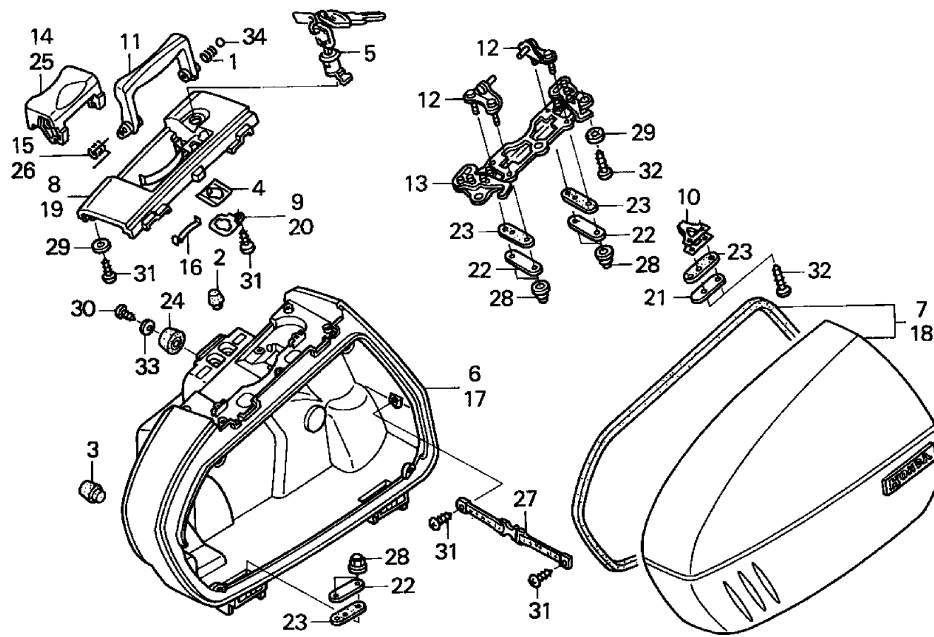
3 =ST1300'03
 3A=ST1300A'03
 4 =ST1300'04
 4A=ST1300A'04

F-45

Frame
 Serial Number

Ref	Description	Model	From	To	AREA	QTY	Part Number	H/C
1	SPRING, CLUTCH SUB-FREE	3 3A	-----	-----	AC	4	22431-121-880	3373396
		4 4A	-----	-----	A	4	22431-121-880	3373396
2	RUBBER A, STOPPER	3 3A	-----	-----	AC	4	50352-428-000	0686360
		4 4A	-----	-----	A	4	50352-428-000	0686360
3	RUBBER C, STOPPER	3 3A	-----	-----	AC	2	50355-434-000	0711143
		4 4A	-----	-----	A	2	50355-434-000	0711143
4	SPRING, LOCK KEY SETTING	3 3A	-----	-----	AC	2	75581-MAT-D00	6114268
		4 4A	-----	-----	A	2	75581-MAT-D00	6114268
5	LOCK ASSY., SADDLEBAG LEVER	3 3A	-----	-----	AC	2	77227-MCS-G00	7127806
		4 4A	-----	-----	A	2	77227-MCS-G00	7127806
6	BODY, R. SADDLEBAG *NH1* (BLACK)....	3 3A	-----	-----	AC	1	81201-MCS-G00ZA	7128036
		3 3A	-----	-----	AC	1	81201-MCS-G01ZA	7217334
		3 3A	-----	-----	AC	1	81201-MCS-G01ZB	7217342
4 4A	-----	-----	A	1	81201-MCS-G01ZB	7217342		
7	COVER, R. SADDLEBAG *NH478M* (TOWER SILVER METALLIC)	3 3A	-----	-----	AC	1	81205-MCS-770ZA	7128044
		4 4A	-----	-----	A	1	81205-MCS-770ZC	7679525
8	COVER, R. SADDLEBAG LOCK *NH1* (BLACK)	3 3A	-----	-----	AC	1	81207-MCS-G00ZA	7128051

SADDLE BAG



MCS4-F4500A

MCS4F4500A

3 =ST1300'03
 3A=ST1300A'03
 4 =ST1300'04
 4A=ST1300A'04

F-45

Frame
 Serial Number

Ref	Description	Model	From	To	AREA	QTY	Part Number	H/C
8	COVER, R. SADDLEBAG LOCK *2TN266* (BLACK/MAT BLACK)	4 4A	-----	-----	A	1	81207-MCS-G01ZB	7217367
9	LOCK PLATE, R. SADDLEBAG KEY	3 3A	-----	-----	AC	1	81208-MCS-G00	7128069
		4 4A	-----	-----	A	1	81208-MCS-G00	7128069
10	PLATE, SADDLEBAG COVER LOCK	3 3A	-----	-----	AC	4	81220-MCS-G00	7128077
		4 4A	-----	-----	A	4	81220-MCS-G00	7128077
11	GRIP, SADDLEBAG *NH1* (BLACK)	3 3A	-----	-----	AC	2	81235-MCS-G00ZA	7128085
		4 4A	-----	-----	A	2	81235-MCS-G00ZA	7128085
12	BRACKET B, SADDLEBAG COVER LOCK	3 3A	-----	-----	AC	4	81255-MCS-G00	7128093
		4 4A	-----	-----	A	4	81255-MCS-G00	7128093
13	LOCK, SADDLEBAG COVER	3 3A	-----	-----	AC	2	81260-MCS-G00	7128101
		4 4A	-----	-----	A	2	81260-MCS-G00	7128101
14	LEVER, R. SADDLEBAG COVER LOCK *NH1* (BLACK)	3 3A	-----	-----	AC	1	81270-MCS-G00ZA	7128119
		4 4A	-----	-----	A	1	81270-MCS-G00ZA	7128119
15	SPRING, R. SADDLEBAG LEVER	3 3A	-----	-----	AC	1	81274-MCS-G00	7128127
		4 4A	-----	-----	A	1	81274-MCS-G00	7128127
16	SPRING, SADDLEBAG KEY GUARD	3 3A	-----	-----	AC	2	81275-MCS-G00	7128135
		4 4A	-----	-----	A	2	81275-MCS-G00	7128135
17	BODY, L. SADDLEBAG *NH1* (BLACK)	3 3A	-----	-----	AC	1	81301-MCS-G00ZA	7128143
		3 3A	-----	-----	AC	1	81301-MCS-G01ZA	7217375

SADDLE BAG

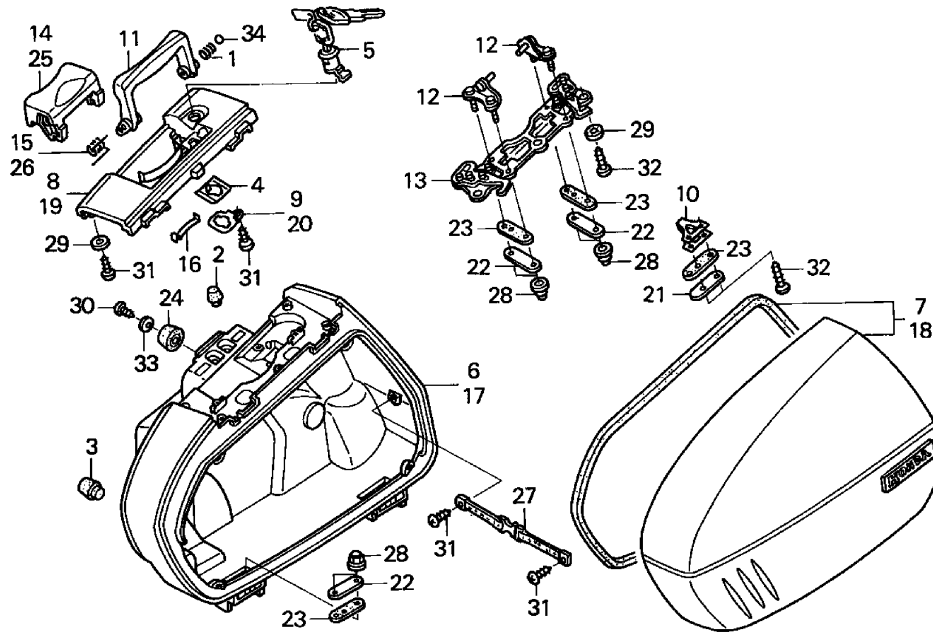
3 =ST1300'03
 3A=ST1300A'03
 4 =ST1300'04
 4A=ST1300A'04

F-45

 Frame
 Serial Number

Ref	Description	Model	From	To	AREA	QTY	Part Number	H/C
17	BODY, L. SADDLEBAG *2TN266* (BLACK/MAT BLACK)	3 3A	-----	-----	AC	1	81301-MCS-G01ZB	7217383
		4 4A	-----	-----	A	1	81301-MCS-G01ZB	7217383
18	COVER, L. SADDLEBAG *NH478M* (TOWER SILVER METALLIC)	3 3A	-----	-----	AC	1	81305-MCS-770ZA	7128150
		4 4A	-----	-----	A	1	81305-MCS-770ZC	7679533
19	COVER, L. SADDLEBAG LOCK *NH1* (BLACK)	3 3A	-----	-----	AC	1	81307-MCS-G00ZA	7128168
		4 4A	-----	-----	A	1	81307-MCS-G01ZB	7217391
20	LOCK PLATE, L. SADDLEBAG KEY	3 3A	-----	-----	AC	1	81308-MCS-G00	7128176
		4 4A	-----	-----	A	1	81308-MCS-G00	7128176
21	PLATE, HINGE SETTING	3 3A	-----	-----	AC	4	81318-MCS-G00	7128184
		4 4A	-----	-----	A	4	81318-MCS-G00	7128184
22	PLATE, HINGE SETTING	3 3A	-----	-----	AC	12	81318-MT3-000	3500105
		4 4A	-----	-----	A	12	81318-MT3-000	3500105
23	RUBBER, PLATE	3 3A	-----	-----	AC	12	81319-MCS-G00	7128192
		4 4A	-----	-----	A	12	81319-MCS-G00	7128192
24	CUSHION, SADDLEBAG	3 3A	-----	-----	AC	2	81327-MT3-000	3487162
		4 4A	-----	-----	A	2	81327-MT3-000	3487162
25	LEVER, L. SADDLEBAG COVER LOCK *NH1* (BLACK)	3 3A	-----	-----	AC	1	81370-MCS-G00ZA	7128200
		4 4A	-----	-----	A	1	81370-MCS-G00ZA	7128200
26	SPRING, L. SADDLEBAG LEVER	3 3A	-----	-----	AC	1	81374-MCS-G00	7128218
		4 4A	-----	-----	A	1	81374-MCS-G00	7128218
27	STOPPER, SADDLEBAG COVER	3 3A	-----	-----	AC	2	81380-MCS-G00	7128226
		4 4A	-----	-----	A	2	81380-MCS-G00	7128226
28	NUT, MOLDING SIDE	3 3A	-----	-----	AC	16	90305-SJ4-003	3526662
		4 4A	-----	-----	A	16	90305-SJ4-003	3526662
29	WASHER, THRUST (5MM)	3 3A	-----	-----	AC	14	90504-964-000	4057360
		4 4A	-----	-----	A	14	90504-964-000	4057360
30	SCREW, TAPPING (4X6)	3 3A	-----	-----	AC	2	93903-24080	1172105
		4 4A	-----	-----	A	2	93903-24080	1172105
31	SCREW, TAPPING (4X12)	3 3A	-----	-----	AC	14	93903-24380	0562090
		4 4A	-----	-----	A	14	93903-24380	0562090
32	SCREW, TAPPING (4X25)	3 3A	-----	-----	AC	14	93903-24680	0631036
		4 4A	-----	-----	A	14	93903-44680	2027290
33	WASHER, PLAIN (4MM)	3 3A	-----	-----	AC	2	94103-04700	1172246
		4 4A	-----	-----	A	2	94103-04700	1172246

SADDLE BAG



MCS4-F4500A

MCS4F4500A

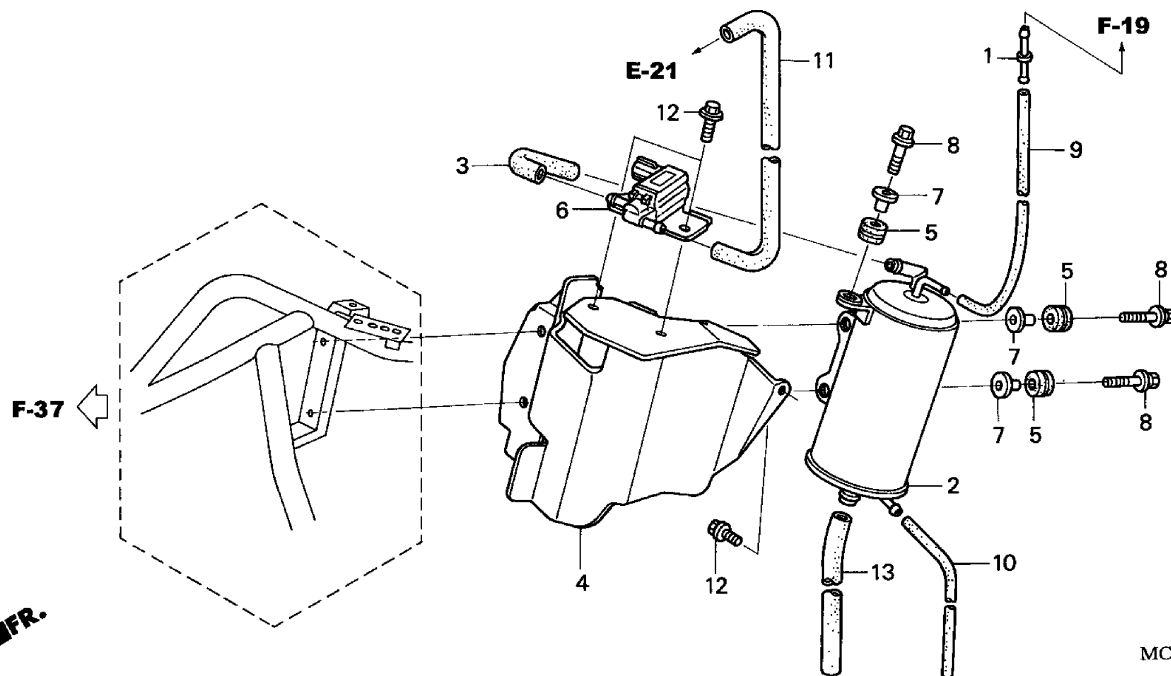
3 =ST1300'03
 3A=ST1300A'03
 4 =ST1300'04
 4A=ST1300A'04

F-45

Frame
 Serial Number

Ref	Description	Model	From	To	AREA	QTY	Part Number	H/C
34	BALL, STEEL (#7) (7/32)	3 3A	-----	-----	AC	4	96211-07000	0633032
		4 4A	-----	-----	A	4	96211-07000	0633032

EVAP CANISTER



MCS4-F4600B

MCS4F4600B

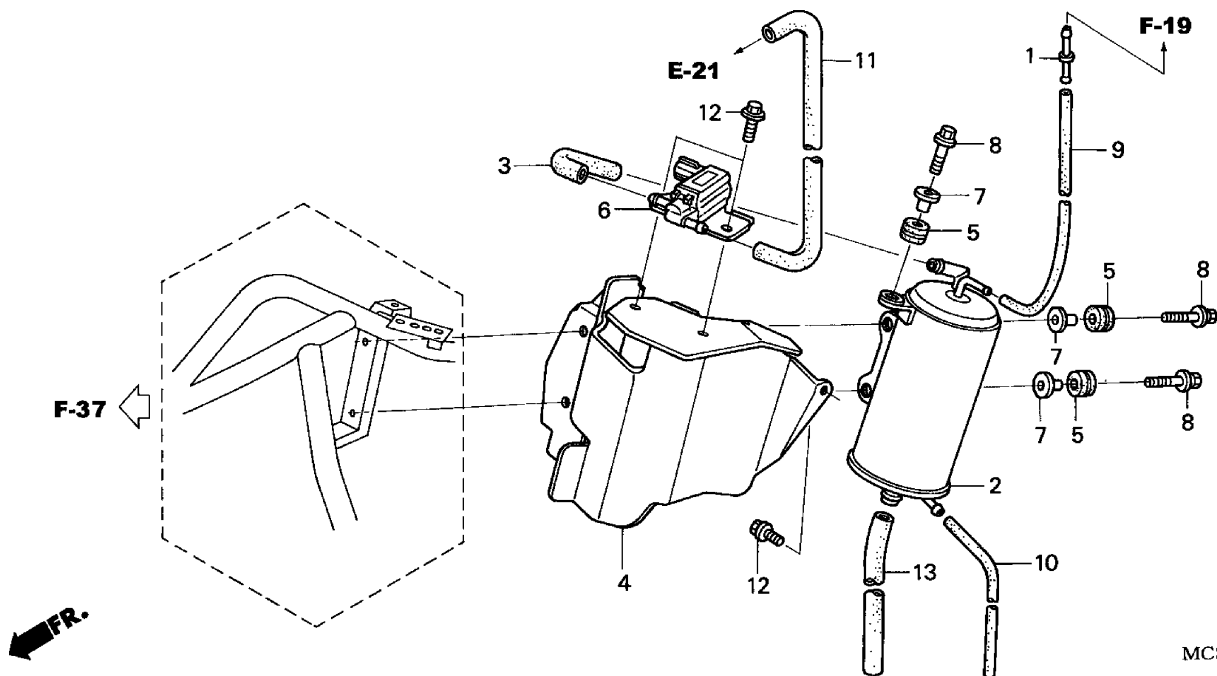
3 =ST1300'03
 3A=ST1300A'03
 4 =ST1300'04
 4A=ST1300A'04

F-46

Frame
 Serial Number

Ref	Description	Model	From	To	AREA	QTY	Part Number	H/C
1	JOINT, FUEL TUBE	3 3A	-----	-----	AC	1	16958-GJ6-000	2403467
		4 4A	-----	-----	A	1	16958-GJ6-000	2403467
2	CANISTER	3 3A	-----	-----	AC	1	17410-MCS-L01	7123896
		4 4A	-----	-----	A	1	17410-MCS-L01	7123896
3	TUBE, CANISTER	3 3A	-----	-----	AC	1	17412-MCS-L00	7123904
		4 4A	-----	-----	A	1	17412-MCS-L00	7123904
4	GUARD, CANISTER HEAT	3 3A	-----	-----	AC	1	17413-MCS-L00	7123912
		4 4A	-----	-----	A	1	17413-MCS-L00	7123912
5	RUBBER B, TAILLIGHT SETTING.....	3 3A	-----	-----	AC	3	33706-KW7-900	4043550
		4 4A	-----	-----	A	3	33706-KW7-900	4043550
6	VALVE ASSY., PURGE CONTROL SOLENOID	3 3A	-----	-----	AC	1	36162-P2M-A01	4842571
		4 4A	-----	-----	A	1	36162-P2M-A01	4842571
7	COLLAR, FR. FENDER	3 3A	-----	-----	AC	3	61104-428-000	0687558
		4 4A	-----	-----	A	3	61104-428-000	0687558
8	BOLT-WASHER (6X25)	3 3A	-----	-----	AC	3	93404-06025-00	3473428
		4 4A	-----	-----	A	3	93404-06025-00	3473428
9	BULK HOSE, VACUUM (4.5X1000) (4.5X500)	3 3A	-----	-----	AC	1	95005-45001-20M	4983714
		4 4A	-----	-----	A	1	95005-45001-20M	4983714
10	TUBE, CANISTER DRAIN	3 3A	-----	-----	AC	1	17414-MCS-L00	7230477

EVAP CANISTER



MCS4-F4600B

MCS4F4600B

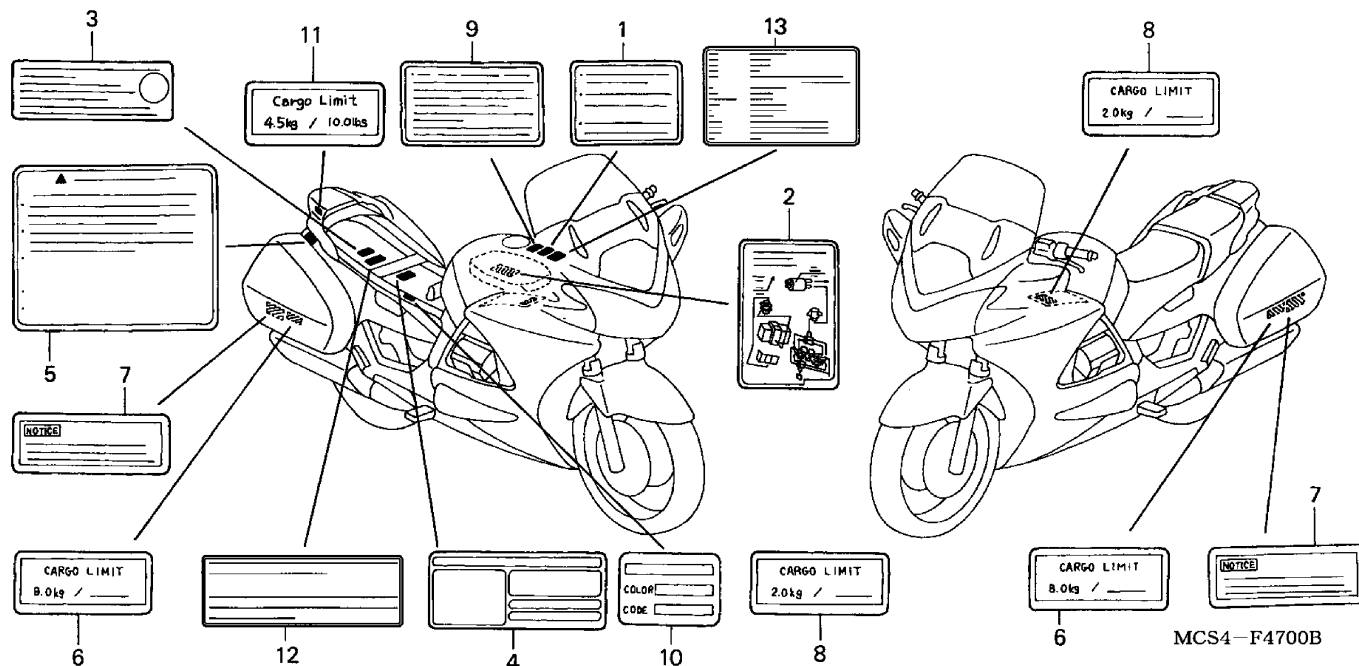
3 =ST1300'03
 3A=ST1300A'03
 4 =ST1300'04
 4A=ST1300A'04

F-46

Frame
 Serial Number

Ref	Description	Model	From	To	AREA	QTY	Part Number	H/C
10	TUBE, CANISTER DRAIN	4 4A	-----	-----	A	1	17414-MCS-710	7681794
11	BULK HOSE, VACUUM (8X1000) (8X400)	3 3A	-----	-----	AC	1	95005-80001-20M	5243910
		4 4A	-----	-----	A	1	95005-80001-20M	5243910
12	BOLT, FLANGE (6X12)	3 3A	-----	-----	AC	3	95701-06012-00	2105799
		4 4A	-----	-----	A	3	95701-06012-00	2105799
13	BULK HOSE, VACUUM (8X1000) (8X400)	3 3A	-----	-----	AC	1	95005-80001-20M	5243910
		4 4A	-----	-----	A	1	17415-MCS-710	7681802

CAUTION LABELS



MCS4-F4700B

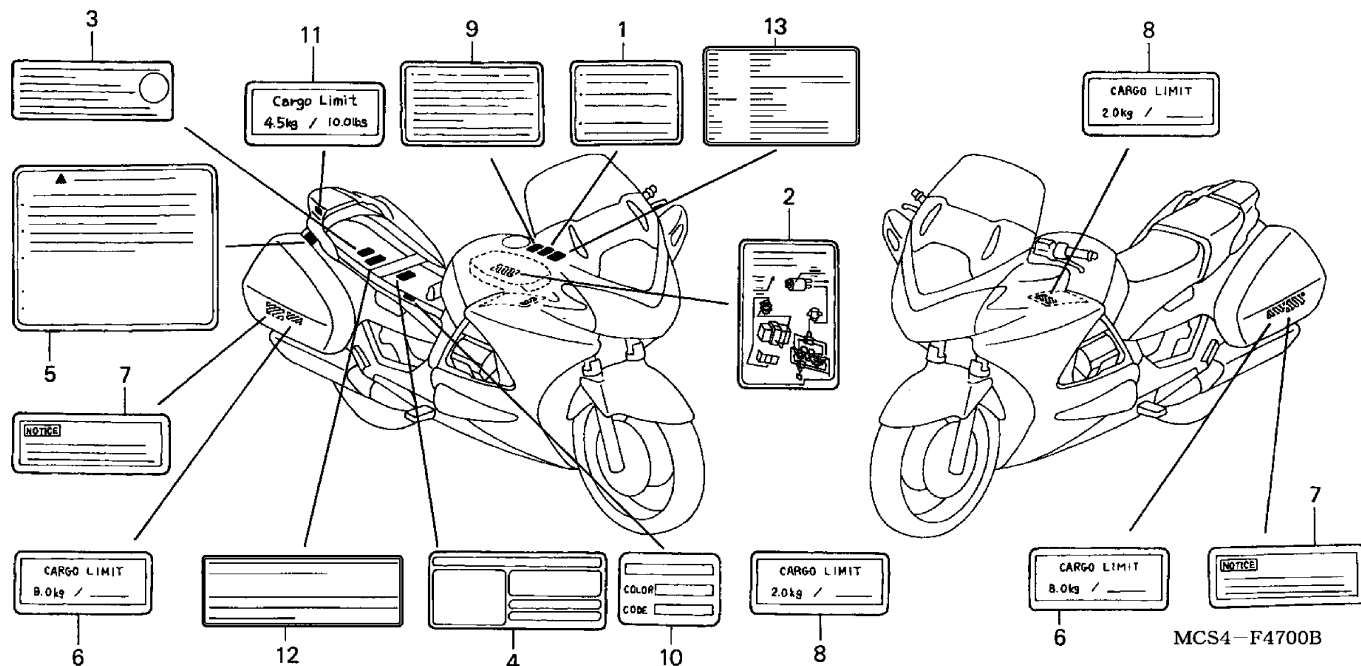
3 =ST1300'03
 3A=ST1300A'03
 4 =ST1300'04
 4A=ST1300A'04

F-47

 Frame
 Serial Number

Ref	Description	Model	From	To	AREA	QTY	Part Number	H/C
1	LABEL, FUEL CAUTION (ENGLISH/ FRENCH/GERMAN).....	3	-----	3M100005	AC	1	87135-MCF-000	7128366
		3A	-----	3M100007	AC	1	87135-MCF-000	7128366
	LABEL, FUEL CAUTION (ENGLISH/ FRENCH)	3	3M100006	-----	AC	1	87135-MCF-670	6431183
		3A	3M100008	-----	AC	1	87135-MCF-670	6431183
	LABEL, FUEL	4	4A	-----	A	1	87586-MCS-710	7686637
2	DIAGRAM, VACUUM HOSE ROUTING.....	3	3A	-----	AC	1	87135-MCS-L00	7128374
	DIAGRAM, VACUUM HOSE ROUTING.....	4	4A	-----	A	1	87135-MCS-710	7679582
3	LABEL, HIGH ALTITUDE	3	3A	-----	AC	1	87139-463-670	1236934
4	LABEL, TIRE	3	3A	-----	AC	1	87505-MCS-770	7128382
		4	4A	-----	A	1	87505-MCS-770	7128382
5	LABEL, LOADING	3	3A	-----	AC	1	87512-KV6-610	4100871
	LABEL, LOADING	4	4A	-----	A	1	87512-MCA-A00	7084775
6	LABEL, CARGO LIMIT (9.0KG)	3	3A	-----	AC	2	87520-MZ3-300	4104311
		4	4A	-----	A	2	87520-MZ3-300	4104311
7	LABEL, SADDLEBAG.....	3	3A	-----	AC	2	87521-MZ3-300	4104329
		4	4A	-----	A	2	87521-MZ3-300	4104329
8	LABEL, CARGO LIMIT (2.0KG)	3	3A	-----	AC	2	87523-MZ3-300	4104337
		4	4A	-----	A	2	87523-MZ3-300	4104337

CAUTION LABELS



MCS4F4700B

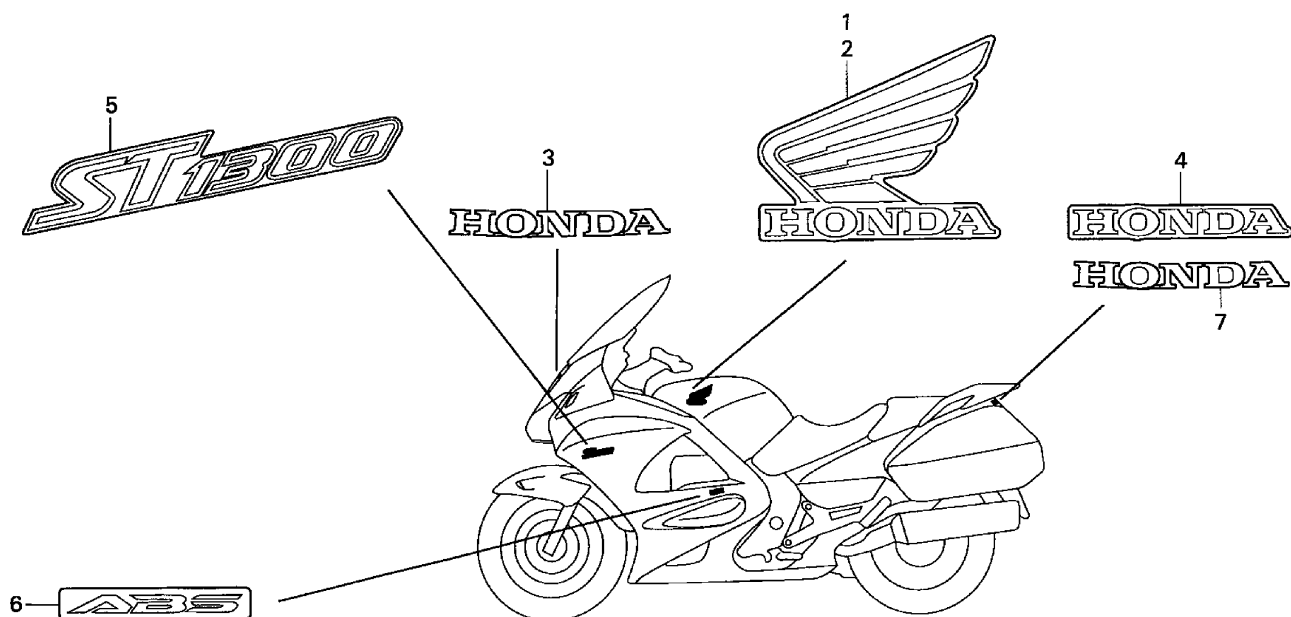
3 =ST1300'03
 3A=ST1300A'03
 4 =ST1300'04
 4A=ST1300A'04

F-47

 Frame
 Serial Number

Ref	Description	Model	From	To	AREA	QTY	Part Number	H/C
9	LABEL, DRIVE	3 3A	-----	-----	AC	1	87560-MZO-670	5026463
		4 4A	-----	-----	A	1	87560-MZO-670	5026463
10	LABEL, COLOR *NH478* (TYPE2) (TOWER SILVER METALLIC)	3	-----	3M100293	AC	1	87565-MCS-640ZB	7128424
	LABEL, COLOR *NH478* (TYPE2) (TOWER SILVER METALLIC)	3	3M100294	-----	AC	1	87565-MCS-770ZB	7313893
	LABEL, COLOR *NH478* (TYPE2) (TOWER SILVER METALLIC)	3A	-----	3M100009	AC	1	87565-MCS-G00ZB	7128416
	LABEL, COLOR *NH478* (TYPE2) (TOWER SILVER METALLIC)	3A	3M100010	-----	AC	1	87565-MCS-L00ZB	7325202
	LABEL, COLOR *PB255* (TYPE1) (PEARL CORONADO BLUE).....	4	-----	-----	A	1	87565-MCS-940ZA	7686595
	LABEL, COLOR *PB255* (TYPE1) (PEARL CORONADO BLUE).....	4A	-----	-----	A	1	87565-MCS-760ZA	7686587
11	LABEL, CARGO LIMIT (4.5).....	3 3A	-----	-----	AC	1	87523-MCS-G00	7325194
		4 4A	-----	-----	A	1	87523-MCS-G00	7325194

MARKS



MCS4-F4800A

MCS4F4800A

3 =ST1300'03
 3A=ST1300A'03
 4 =ST1300'04
 4A=ST1300A'04

F-48

Frame
Serial Number

Ref	Description	Model	From	To	AREA	QTY	Part Number	H/C
1	MARK, R. FUEL TANK (TYPE2)	3 3A	-----	-----	AC	1	17511-MCS-G01ZB	7216922
	MARK, R. FUEL TANK (TYPE1)	4 4A	-----	-----	A	1	17511-MCS-760ZA	7679038
2	MARK, L. FUEL TANK (TYPE2).....	3 3A	-----	-----	AC	1	17512-MCS-G01ZB	7216930
	MARK, L. FUEL TANK (TYPE1).....	4 4A	-----	-----	A	1	17512-MCS-760ZA	7679046
3	EMBLEM (HONDA)	3 3A	-----	-----	AC	1	64123-MCS-G00	7127277
		4 4A	-----	-----	A	1	64123-MCS-G00	7127277
4	MARK, RR. COWL (TYPE2).....	3 3A	-----	-----	AC	1	77261-MCS-G00ZB	7127822
	MARK, RR. COWL (TYPE2).....	3 3A	-----	-----	AC	1	77261-MCS-G01ZB	7217300
5	MARK A, MIDDLE COWL (TYPE2)	3 3A	-----	-----	AC	2	87610-MCS-L00ZB	7128432
	MARK A, MIDDLE COWL (TYPE1)	4 4A	-----	-----	A	2	87610-MCS-710ZA	7679590
6	MARK B, MIDDLE COWL (TYPE1)	3A	-----	-----	AC	2	87611-MCS-L00ZA	7128440
7	EMBLEM (HONDA)	4 4A	-----	-----	A	1	64123-MCS-760	7685332

Part Number Index

PART NUMBER INDEX

Part Number	Grid	Page	Part Number	Grid	Page	Part Number	Grid	Page
(0)			12361-MCS-020	1-C1	1-2	14120-MCS-000	1-C5	1-10
06113-MCS-000	1-D14	1-61	12371-MCS-020	1-C1	1-2	14130-MCS-000	1-C5	1-10
06114-MCS-000	1-D14	1-61	12391-MCS-000	1-C1	1-2	14140-MCS-000	1-C5	1-10
06115-MCS-000	1-D15	1-62		1-D14	1-61	14312-MCS-000	1-C8	1-16
06116-MCS-000	1-D15	1-62	12395-MCS-000	1-C2	1-4	14321-MCS-000	1-C8	1-16
06410-MCS-G00	1-F11	2-56		1-C3	1-7	14401-MCT-003	1-C8	1-16
06431-MA3-405	1-E15	2-33		1-D14	1-61	14405-MCS-000	1-C8	1-16
06435-MCS-G01	1-F10	2-54	13011-MCS-305	1-D3	1-39	14510-MCS-000	1-C8	1-16
06451-GE2-405	1-F10	2-54	13021-MCS-305	1-D3	1-39	14520-MCS-003	1-C8	1-16
06451-MZ2-405	1-E15	2-33	13031-MCS-305	1-D3	1-39	14546-MCS-000	1-C8	1-16
	1-F1	2-36	13101-MCS-000	1-D3	1-39	14560-MCS-003	1-C8	1-16
	1-F10	2-54	13102-MCS-000	1-D3	1-39		1-D15	1-62
06453-MBG-405	1-E15	2-33	13103-MCS-305	1-D3	1-39	14620-MCS-000	1-C8	1-16
06454-MCS-G01	1-F1	2-36	13104-MCS-305	1-D3	1-39	14711-MCS-000	1-C5	1-10
06455-MCS-G01	1-E15	2-33	13105-MCS-305	1-D3	1-39	14721-MCS-000	1-C5	1-10
	1-F1	2-36	13106-MCS-305	1-D3	1-39	14731-MT4-000	1-C5	1-10
06910-MZ0-000	1-F12	2-59	13111-MCS-000	1-D3	1-39	14751-MCS-000	1-C5	1-10
	1-F15	2-64	13112-MAT-000	1-D3	1-39	14771-MAT-000	1-C5	1-10
				1-D4	1-40	14775-MT3-000	1-C5	1-10
(1)			13210-MCS-000	1-D4	1-40		1-C5	1-11
11000-MCS-010	1-D2	1-36	13213-MCS-003	1-D4	1-40	14781-MAT-000	1-C5	1-11
11104-MCS-000	1-C14	1-29	13215-ML7-000	1-D4	1-40	14901-KT7-013	1-C5	1-11
11203-MCS-000	1-C14	1-29	13220-MCS-000	1-D4	1-40	14902-KT7-013	1-C5	1-11
11205-MCS-000	1-D2	1-36	13224-MCS-003	1-D4	1-40	14903-KT7-013	1-C5	1-11
11206-MCS-000	1-D8	1-48	13225-MCS-003	1-D4	1-40	14904-KT7-013	1-C5	1-11
11210-MCS-010	1-C16	1-33	13226-MCS-003	1-D4	1-40	14905-KT7-013	1-C5	1-11
11211-MCS-010	1-C16	1-33	13227-MCS-003	1-D4	1-40	14906-KT7-013	1-C5	1-11
11341-MCS-010	1-C9	1-18	13228-MCS-003	1-D4	1-41	14907-KT7-013	1-C5	1-11
11345-MB0-000	1-C1	1-2	13234-MCS-003	1-D4	1-41	14908-KT7-013	1-C5	1-11
	1-D14	1-61	13235-MCS-003	1-D4	1-41	14909-KT7-013	1-C5	1-11
11394-MCS-000	1-C9	1-18	13236-MCS-003	1-D4	1-41	14910-KT7-013	1-C5	1-11
	1-D15	1-62	13237-MCS-003	1-D4	1-41	14911-KT7-013	1-C5	1-11
12010-MCS-000	1-C2	1-4	13238-MCS-003	1-D4	1-41	14912-KT7-013	1-C5	1-11
12020-MCS-000	1-C3	1-7	13300-MCS-000	1-D4	1-41	14913-KT7-013	1-C5	1-11
12205-MCS-305	1-C2	1-4	13313-MCS-003	1-D4	1-41	14914-KT7-013	1-C5	1-11
	1-C3	1-7	13314-MCS-003	1-D4	1-41	14915-KT7-013	1-C5	1-11
12206-MBW-000	1-D2	1-36	13315-MCS-003	1-D4	1-41	14916-KT7-013	1-C5	1-11
12209-MA6-005	1-C5	1-10	13316-MCS-003	1-D4	1-41	14917-KT7-013	1-C5	1-11
12251-MCS-003	1-C2	1-4	13317-MCS-003	1-D4	1-41	14918-KT7-013	1-C5	1-11
	1-D14	1-61	13320-MCS-010	1-C12	1-24	14919-KT7-013	1-C5	1-11
12252-MCS-003	1-C3	1-7	13321-MCS-000	1-C12	1-24		1-C6	1-12
	1-D14	1-61	13363-MCS-003	1-D4	1-41	14920-KT7-013	1-C6	1-12
12310-MCS-000	1-C1	1-2	13364-MCS-003	1-D4	1-41	14921-KT7-013	1-C6	1-12
12313-MCS-000	1-C1	1-2	13365-MCS-003	1-D4	1-41	14922-KT7-013	1-C6	1-12
12320-MCS-010	1-C1	1-2	13366-MCS-003	1-D4	1-41	14923-KT7-013	1-C6	1-12
12331-MCS-000	1-C1	1-2	13367-MCS-003	1-D5	1-42	14924-KT7-013	1-C6	1-12
12341-MAT-750	1-C1	1-2	13371-MCS-000	1-D5	1-42	14925-KT7-013	1-C6	1-12
12361-035-000	1-F12	2-59	13421-MCS-000	1-D5	1-43	14926-KT7-013	1-C6	1-12
	1-F15	2-64	13422-MCS-000	1-D5	1-43	14927-KT7-013	1-C6	1-12
12361-300-000	1-F12	2-59	13426-MCS-000	1-D5	1-43	14928-KT7-013	1-C6	1-12
	1-F15	2-64	13430-MCS-020	1-C14	1-29	14929-KT7-013	1-C6	1-12
12361-371-980	1-F12	2-59	13433-MCS-000	1-D5	1-43	14930-KT7-013	1-C6	1-13
	1-F15	2-64	13435-MAT-000	1-D5	1-43	14931-KT7-013	1-C6	1-13
	1-F15	2-64	13436-MAT-010	1-D5	1-43	14932-KT7-013	1-C6	1-13
	1-F12	2-59	13521-MCS-000	1-D5	1-43	14933-KT7-013	1-C6	1-13
	1-F15	2-64	14110-MCS-010	1-C5	1-10	14934-KT7-013	1-C6	1-13

PART NUMBER INDEX

Part Number	Grid	Page	Part Number	Grid	Page	Part Number	Grid	Page
14935-KT7-013	1-C6	1-13	16018-MCW-003	1-D13	1-58	17254-MCS-G00	1-G9	2-84
14936-KT7-013	1-C6	1-13	16019-MCJ-003	1-D13	1-58	17359-419-670	1-G2	2-71
14937-KT7-013	1-C6	1-13	16019-MCW-003	1-D13	1-58	17365-MCS-G00	1-G9	2-85
14938-KT7-013	1-C6	1-13	16020-MCW-003	1-D13	1-58	17368-KV7-671	1-F2	2-38
14939-KT7-013	1-C6	1-13	16025-MCS-003	1-D13	1-58		1-F9	2-52
14940-KT7-013	1-C6	1-13	16029-MCS-003	1-D11	1-55	17410-MCS-L01	1-I2	2-135
14941-KT7-013	1-C6	1-13	16044-MCW-003	1-D13	1-58	17412-MCS-L00	1-I2	2-135
14942-KT7-013	1-C6	1-13	16046-MCW-003	1-D13	1-58	17413-MCS-L00	1-I2	2-135
14943-KT7-013	1-C6	1-13	16080-MCJ-003	1-D11	1-55	17414-MCS-710	1-I3	2-136
14944-KT7-013	1-C6	1-13	16106-KW7-900	1-D2	1-36	17414-MCS-L00	1-I2	2-135
14945-KT7-013	1-C6	1-13		1-F15	2-64	17415-MCS-710	1-I3	2-136
14946-KT7-013	1-C6	1-13	16169-MCW-003	1-D11	1-55	17450-KY7-740	1-D10	1-52
14947-KT7-013	1-C6	1-13	16180-ME5-761	1-D11	1-55	17500-MCS-760ZA	1-G2	2-70
14948-KT7-013	1-C6	1-13	16197-MBW-L11	1-D11	1-55	17500-MCS-G03ZB	1-G2	2-70
14949-KT7-013	1-C6	1-13	16198-MCW-L01	1-D11	1-55	17506-MCS-G01	1-G3	2-72
14950-KT7-013	1-C7	1-14	16199-MCW-L01	1-D11	1-55	17507-MCS-G01	1-G3	2-72
14951-KT7-013	1-C7	1-14	16211-MCS-000	1-C2	1-4	17511-MCS-760ZA	1-I4	2-139
14952-KT7-013	1-C7	1-14		1-C3	1-7	17511-MCS-G01ZB	1-I4	2-139
14953-KT7-013	1-C7	1-14	16217-MCS-000	1-C2	1-4	17512-MCS-760ZA	1-I4	2-139
14954-KT7-013	1-C7	1-14		1-C3	1-7	17512-MCS-G01ZB	1-I4	2-139
14955-KT7-013	1-C7	1-14	16218-MCS-000	1-C2	1-4	17514-MCS-G00	1-G2	2-70
14956-KT7-013	1-C7	1-14		1-C3	1-7	17516-HC0-000	1-G2	2-70
14957-KT7-013	1-C7	1-14	16222-MV4-300	1-C2	1-4	17516-KAZ-000	1-G2	2-70
14958-KT7-013	1-C7	1-14		1-C3	1-7	17522-MCW-D00	1-G3	2-72
14959-KT7-013	1-C7	1-14	16400-MCS-771	1-D11	1-55		1-G3	2-73
14960-KT7-013	1-C7	1-14	16401-MCS-771	1-D11	1-55	17525-MCS-G00	1-G2	2-70
	1-C7	1-15	16450-MCS-003	1-D11	1-55	17525-MCS-G01	1-G2	2-70
14961-KT7-013	1-C7	1-15		1-D12	1-56	17528-MCS-G00	1-G4	2-74
14962-KT7-013	1-C7	1-15	16451-PLC-000	1-D12	1-56	17528-MCS-G01	1-G4	2-74
14963-KT7-013	1-C7	1-15	16610-MCS-003	1-D12	1-56	17543-MCS-G01	1-G2	2-70
14964-KT7-013	1-C7	1-15	16620-MCS-003	1-D12	1-56	17543-MCS-L00	1-G2	2-70
14965-KT7-013	1-C7	1-15	16630-MCS-003	1-D12	1-56	17544-MCS-L00	1-G2	2-70
14966-KT7-013	1-C7	1-15	16700-MCS-G00	1-G4	2-74	17544-MCS-L01	1-G2	2-70
14967-KT7-013	1-C7	1-15	16700-MCS-G01	1-G4	2-74	17545-MCS-G00	1-G2	2-70
14968-KT7-013	1-C7	1-15	16711-MCS-G00	1-G4	2-74	17548-MCS-G00	1-G2	2-71
14969-KT7-013	1-C7	1-15	16712-MAT-D01	1-G4	2-74	17549-MCS-G00	1-G2	2-71
15100-MCS-010	1-C16	1-33	16714-MBG-000	1-G4	2-74	17550-MCS-G00	1-G4	2-75
15134-MCS-000	1-C16	1-33	16716-MCS-G00	1-G4	2-74	17574-MN5-000	1-G4	2-75
15150-MCS-000	1-C16	1-33	16716-MCS-G01	1-G4	2-74	17575-MCS-G01	1-G2	2-71
15154-MM5-000	1-C16	1-33	16720-MCS-G00	1-G4	2-74	17590-MCS-G00	1-G2	2-71
	1-D15	1-62	16730-MCS-G00	1-G4	2-74	17620-MAS-E02	1-G2	2-71
15160-MCS-000	1-C16	1-33	16740-MCF-013	1-D12	1-56	17622-GB7-900	1-E7	2-16
15220-MW0-000	1-C16	1-33	16900-MBG-013	1-G4	2-74		1-H14	2-126
15311-MCS-000	1-C16	1-33	16958-GJ6-000	1-I2	2-135	17724-102-700	1-D14	1-60
15312-MCS-000	1-C16	1-33	16961-MK7-000	1-D10	1-52	17891-MCJ-750	1-G16	2-98
15326-KBV-000	1-D2	1-36	17201-MCJ-003	1-D12	1-56	17910-MCS-G00	1-E3	2-8
15410-MCJ-000	1-C16	1-33	17201-MG9-000	1-D12	1-56	17920-MCS-G00	1-E3	2-8
	1-D1	1-34	17210-MCS-G00	1-G9	2-84	17938-SE0-941	1-E9	2-21
15433-KGB-610	1-D1	1-34	17221-MCS-G00	1-G9	2-84	17970-MCS-G00	1-E11	2-24
	1-D15	1-62	17225-MCS-G00	1-G9	2-84	17980-MCS-G00	1-E11	2-24
15611-MB0-000	1-C1	1-2	17225-MCS-G01	1-G9	2-84	18150-MCS-G01	1-G10	2-86
15660-MCS-000	1-D2	1-36	17226-MCS-G00	1-G9	2-84	18170-MCS-G01	1-G10	2-86
15700-MCS-003	1-D1	1-34	17227-MCS-G00	1-G9	2-84	18291-MN4-920	1-D14	1-61
15772-GB5-670	1-G9	2-84	17228-MCS-G00	1-G9	2-84		1-G10	2-86
16010-MCS-003	1-D11	1-55	17231-MCS-G00	1-G9	2-84	18293-GZ5-000	1-H16	2-130
16017-MCW-003	1-D13	1-58	17253-MCS-G00	1-G9	2-84	18310-MCS-L01	1-G10	2-86

PART NUMBER INDEX

Part Number	Grid	Page	Part Number	Grid	Page	Part Number	Grid	Page
18316-KFT-620	1-G10	2-87	19504-MCS-000	1-D10	1-52	22893-MCS-G00	1-E9	2-20
18325-MBV-000	1-E13	2-29	19504-MCS-010	1-D10	1-52	22900-MCS-G01	1-E9	2-20
18345-MCS-760	1-G10	2-87	19505-MCS-010	1-D10	1-52	22900-MCS-G02	1-E9	2-20
18371-MAT-000	1-G10	2-86	19506-MCS-000	1-D10	1-52	23100-MCS-000	1-C11	1-23
18372-MAT-000	1-G10	2-86	19506-MCS-010	1-D10	1-52	23110-MCS-000	1-C16	1-32
18373-413-000	1-G10	2-86	19507-MAT-000	1-D10	1-52	23120-MCS-000	1-C16	1-32
18391-ML0-003	1-D14	1-61		1-D10	1-53	23121-MCS-000	1-C16	1-32
	1-G10	2-86	19507-MCS-000	1-D10	1-53	23125-MCS-000	1-C16	1-32
18392-MK4-000	1-D14	1-61	19507-MK4-620	1-D10	1-53	23211-MCS-000	1-D6	1-45
	1-G10	2-86	19508-MCS-010	1-D10	1-53	23220-MCS-010	1-D6	1-45
18410-MCS-710	1-G10	2-86	19510-MCS-000	1-D10	1-53	23222-MCS-000	1-D8	1-48
18410-MCS-L01	1-G10	2-86	19511-MCS-000	1-D10	1-53	23421-MCS-000	1-D6	1-45
18421-MB0-000	1-G10	2-86	19512-MCS-000	1-D10	1-53	23431-MCS-000	1-D6	1-45
18421-MCS-760	1-G10	2-87	19513-MCS-000	1-D10	1-53	23441-MCS-000	1-D6	1-45
18422-MCS-760	1-G10	2-87	19515-MCS-G00	1-H9	2-117	23442-MS2-610	1-D6	1-45
18424-MN5-000	1-G10	2-87	19516-GAG-003	1-H9	2-117	23451-MCS-000	1-D6	1-45
18601-MCH-003	1-C1	1-2	19517-ML7-691	1-D10	1-53	23461-MCS-000	1-D6	1-45
	1-C1	1-3	19520-MCS-000	1-D10	1-53	23462-MAT-000	1-D6	1-45
18651-MCS-G00	1-D14	1-60	19522-MZ8-H00	1-D10	1-53	23471-MCS-000	1-D6	1-45
18652-MCS-G00	1-D14	1-60	19528-MCS-000	1-D10	1-53	23481-MCS-000	1-D6	1-45
18653-MCS-G00	1-D14	1-60					1-D7	1-46
18654-MCS-G01	1-D14	1-60	(2)			23482-MR7-000	1-D7	1-46
19010-MCS-711	1-H9	2-116	21110-MCS-010	1-C13	1-26	23491-MCS-000	1-D7	1-46
19010-MCS-G01	1-H9	2-116	21114-MCS-000	1-C13	1-26	23495-MM5-000	1-D7	1-46
19014-KEA-003	1-H9	2-116	21120-MCS-000	1-D8	1-48	23501-MCS-000	1-D7	1-46
19015-MCS-G01	1-H9	2-116	22100-MCS-000	1-C11	1-22	23510-MCS-000	1-D9	1-51
19020-MEA-671	1-H9	2-116	22116-MCS-000	1-C11	1-22	23521-MCS-010	1-D9	1-51
19030-MCS-G00	1-H9	2-116	22116-MCS-700	1-C11	1-22	23531-MCS-000	1-D9	1-51
19035-MCS-G01	1-H9	2-116	22120-MCS-000	1-C11	1-22	23751-MCS-000	1-C13	1-26
19037-GEE-710	1-H9	2-116	22125-MAT-000	1-C11	1-22	23929-PX4-700	1-D1	1-34
19037-HN2-003	1-H9	2-116	22201-MCA-000	1-C11	1-22	24211-MCS-000	1-D8	1-48
19046-PAA-A00	1-H9	2-116	22202-MCS-000	1-C11	1-22	24212-MCS-000	1-D8	1-48
19051-KA3-830	1-H9	2-116	22203-MCA-000	1-C11	1-22	24213-MCS-000	1-D8	1-48
19052-MN8-000	1-H9	2-116	22321-MN5-000	1-C11	1-22	24261-MCS-000	1-D8	1-48
19055-HN2-003	1-H9	2-116	22350-MCH-000	1-C11	1-22	24310-MCS-000	1-D8	1-48
19101-MCS-G00	1-H9	2-117	22366-MS2-611	1-C11	1-22	24315-MAS-E00	1-D8	1-48
19109-KPC-640	1-H9	2-117		1-C11	1-23	24430-096-700	1-D8	1-48
19113-MB1-870	1-G6	2-78	22401-MCS-000	1-C11	1-23	24435-MCS-000	1-D8	1-49
19126-MCS-G00	1-G9	2-85	22402-MAT-000	1-C11	1-23	24610-MCS-000	1-D8	1-49
19130-MCS-G00	1-H9	2-117	22431-121-880	1-H16	2-131	24651-MBB-000	1-D8	1-49
19199-MCW-L01	1-D12	1-56	22851-MCS-000	1-C11	1-23	24652-035-000	1-D8	1-49
19210-MCS-000	1-C10	1-20	22860-MCS-000	1-C13	1-26	24655-MCS-000	1-D8	1-49
19217-MAL-300	1-C10	1-20	22862-MW7-650	1-C13	1-26	24705-MK3-000	1-G11	2-88
19220-MCS-010	1-C10	1-20		1-D15	1-62	24706-MK3-770	1-G11	2-88
19225-MCS-003	1-C10	1-20	22863-MJ8-003	1-C13	1-26	24710-MCS-G00	1-G11	2-88
	1-D1	1-34	22864-MT7-006	1-C13	1-26	24720-MCS-G00	1-G11	2-88
19226-MCS-000	1-C10	1-20	22864-MT7-016	1-C13	1-26	24724-MBW-D21	1-G11	2-88
	1-D15	1-62	22865-MCS-G00	1-E9	2-20	24781-KR3-770	1-G11	2-88
19230-MCS-000	1-C11	1-22	22865-MJ8-003	1-C13	1-26	28110-MCS-000	1-C12	1-24
19240-MCS-000	1-C10	1-20	22884-MB0-006	1-E9	2-20	28120-MCS-000	1-C12	1-24
19300-MBT-003	1-D10	1-52	22885-MB0-006	1-E9	2-20	28126-MN5-004	1-C12	1-24
19310-MCS-010	1-D10	1-52	22886-MCS-G01	1-E9	2-20	28127-MN5-004	1-C12	1-24
19315-MCS-010	1-D10	1-52	22890-MCS-761	1-E9	2-20	28128-MCS-000	1-C12	1-24
19501-MCS-G00	1-H9	2-117	22890-MCS-G01	1-E9	2-20	28130-MCS-010	1-C12	1-24
19502-MCS-G00	1-H9	2-117	22891-MCS-G00	1-E9	2-20	28132-KN6-930	1-C12	1-24
19504-KT7-751	1-D10	1-52				28321-427-770	1-H6	2-110

PART NUMBER INDEX

Part Number	Grid	Page	Part Number	Grid	Page	Part Number	Grid	Page
28333-300-000	1-G12	2-90	32105-MCS-710	1-H15	2-129	35340-MM5-600	1-E5	2-12
28810-P7Z-004	1-C2	1-4	32105-MCS-770	1-H15	2-129	35350-MCS-G00	1-G11	2-88
			32105-MCS-L00	1-H15	2-129	35357-KR3-670	1-G11	2-88
(3)			32107-MCS-G00	1-H4	2-106	35500-MJ4-024	1-D2	1-36
30291-MCS-000	1-C11	1-23	32109-MCS-000	1-D2	1-36		1-D2	1-37
30300-MCS-003	1-C9	1-18	32109-MCS-010	1-D2	1-36	35600-MK4-860	1-D2	1-37
30510-MCC-003	1-H5	2-108	32109-MCS-700	1-D2	1-36	35850-MT4-000	1-H2	2-103
30515-MCS-G01	1-H5	2-108	32130-MCS-000	1-C15	1-30	35856-MBG-003	1-H2	2-103
30520-ML7-000	1-H5	2-108	32152-MB3-000	1-D10	1-53	36130-ZA8-801	1-G16	2-98
30530-MCS-004	1-D2	1-36	32172-GJ1-003	1-H2	2-102	36162-P2M-A01	1-I2	2-135
30533-MCS-010	1-D2	1-36	32401-MCS-640	1-H2	2-102	36450-MCS-000	1-D14	1-60
30534-MCS-000	1-D3	1-38	32401-MCS-G00	1-H2	2-102	36531-MCS-G01	1-G10	2-87
30535-MCS-000	1-D3	1-38	32406-MT4-000	1-H2	2-102	36532-MCS-G01	1-G10	2-87
30700-MCS-G01	1-H5	2-108	32410-MCS-G00	1-H2	2-102	37080-MCS-G00	1-G2	2-71
30731-MCS-G00	1-H5	2-108	32411-230-000	1-H2	2-102	37100-MCS-771	1-E2	2-6
30732-MCS-G01	1-H5	2-108	32411-253-000	1-H2	2-102	37100-MCS-L01	1-E2	2-6
30733-MCS-G01	1-H5	2-108	32414-MCF-000	1-H2	2-102	37101-MCS-G01	1-E2	2-6
30733-MCS-G02	1-H5	2-108	32601-MCS-G00	1-H2	2-102	37102-MCS-G01	1-E2	2-6
30734-MCS-G01	1-H5	2-108	32901-MA1-000	1-G2	2-71	37103-MCS-G01	1-E2	2-6
31100-MCS-003	1-C14	1-29	33100-MCS-L01	1-E1	2-4	37104-MCS-G01	1-E2	2-6
31105-MAJ-G41	1-C14	1-29	33112-KPB-003	1-E1	2-4	37105-MCS-G01	1-E2	2-6
31110-MCS-003	1-C14	1-29	33112-MBW-D21	1-E1	2-4	37107-MCS-G01	1-E2	2-6
31111-MAJ-G41	1-C14	1-29	33120-MCS-L01	1-E1	2-4	37108-MCS-G01	1-E2	2-6
31114-MCS-003	1-C14	1-29	33140-MCJ-D00	1-E1	2-4	37110-MCS-L01	1-E2	2-6
31116-MCS-003	1-C15	1-31	33301-SA0-741	1-E1	2-4	37120-MCS-641	1-E2	2-6
31119-MAJ-G41	1-C14	1-29	33400-MCS-A01	1-H1	2-100		1-E2	2-7
31127-MAJ-G41	1-C14	1-29	33400-MCS-L01	1-H1	2-100	37120-MCS-G01	1-E2	2-7
31127-MCS-003	1-C14	1-29	33450-MCS-A01	1-H1	2-100	37214-KV7-671	1-E2	2-7
31135-MAJ-G41	1-C14	1-29	33450-MCS-L01	1-H1	2-100	37222-MCS-G00	1-H13	2-124
	1-C15	1-30	33706-KW7-900	1-I2	2-135	37601-MCS-771	1-E2	2-7
31138-PD1-004	1-C15	1-30	33712-GC2-000	1-H1	2-101	37601-MCS-L01	1-E2	2-7
31141-MCS-003	1-C15	1-30	33720-GZ9-003	1-H1	2-101	37700-MCS-003	1-C13	1-26
31145-PE9-941	1-C15	1-30	33720-MCS-L01	1-H1	2-101	37830-MCF-003	1-D12	1-56
31146-MAJ-G41	1-C15	1-30	33741-413-013	1-E13	2-29	37870-MBG-003	1-D10	1-53
31147-PT0-003	1-C15	1-30	33741-HB9-641	1-G6	2-78	37880-P05-A00	1-G9	2-85
31148-PD1-004	1-C15	1-30	33741-MS6-921	1-G16	2-98	37890-MCS-G01	1-H14	2-126
31149-PZ1-003	1-C15	1-30	33742-HB9-641	1-E13	2-29	38120-MY3-780	1-H15	2-129
31150-PZ3-003	1-C15	1-30	33742-MCS-L00	1-E13	2-29	38215-MCS-640	1-H3	2-104
31153-PZ1-003	1-C15	1-30	34901-MS2-671	1-E1	2-4	38215-MCS-G00	1-H4	2-106
31200-MCS-003	1-C14	1-28	34901-MS2-672	1-E1	2-4	38216-MCS-640	1-H3	2-104
31201-MR6-008	1-C14	1-28	34906-MBB-611	1-H1	2-100	38216-MCS-G00	1-H4	2-106
31205-MR1-008	1-C14	1-28		1-H1	2-101	38235-S04-003	1-H8	2-114
31206-MR6-008	1-C14	1-28	35010-MCS-L00	1-E11	2-24	38260-MN5-003	1-H2	2-103
31207-KS5-901	1-C14	1-28	35013-MCS-L00	1-E3	2-8	38265-MN5-003	1-H2	2-103
31500-MCR-D02	1-H2	2-102	35020-MCS-770	1-E3	2-8	38301-MBW-D21	1-H3	2-104
31503-044-670	1-C1	1-3	35020-MCS-L00	1-E3	2-8		1-H4	2-106
31730-MAS-601	1-H3	2-104	35070-MCS-G00	1-G13	2-93	38306-GE8-008	1-H3	2-104
	1-H4	2-106	35100-MCS-L01	1-E11	2-24		1-H4	2-106
32100-MCS-710	1-H4	2-106	35101-MCS-G01	1-E11	2-24	38306-MCA-000	1-H15	2-129
32100-MCS-770	1-H3	2-104	35106-MCS-L00	1-E11	2-24	38501-MCS-G00	1-H3	2-104
32100-MCS-910	1-H3	2-104	35121-MAS-G01	1-E11	2-24		1-H4	2-106
32100-MCS-L00	1-H4	2-106	35161-MCS-G01	1-E1	2-4	38502-MCS-G00	1-H15	2-129
32100-MCS-L01	1-H4	2-106	35162-MN5-003	1-E1	2-4	38506-MCS-G00	1-H3	2-104
32103-MCS-770	1-H3	2-104	35163-MN5-003	1-E1	2-4		1-H4	2-106
	1-H4	2-106	35330-MB0-003	1-E9	2-21		1-H4	2-107
			35340-MM5-600	1-E4	2-10	38510-MCS-G01	1-F15	2-64

PART NUMBER INDEX

Part Number	Grid	Page	Part Number	Grid	Page	Part Number	Grid	Page
38511-MCS-G00	1-F15	2-64	41455-MT3-610	1-F15	2-65	42515-MCS-G00	1-F11	2-56
38520-MCS-G01	1-F2	2-38	41456-MT3-610	1-F13	2-61	42620-MT3-000	1-F11	2-56
38600-MCS-G01	1-H4	2-107		1-F15	2-65	42624-MCH-000	1-F11	2-56
38770-MCS-L01	1-H3	2-104	41457-MT3-610	1-F13	2-61	42625-MCS-760	1-F14	2-63
	1-H4	2-107		1-F15	2-65		1-G1	2-69
(4)			41458-MT3-610	1-F13	2-61	42625-MCS-G00	1-F14	2-62
				1-F15	2-65		1-F16	2-67
40200-MCS-G00	1-G14	2-95	41459-MT3-610	1-F13	2-61	42625-MCS-G01	1-F14	2-62
40201-MCS-G00	1-G14	2-95		1-F15	2-65		1-F14	2-63
40215-MCS-G00	1-G14	2-95		1-F16	2-66		1-F16	2-67
40221-MB0-000	1-G14	2-95	41460-MT3-610	1-F13	2-61		1-G1	2-69
41300-MCS-611	1-F12	2-59		1-F16	2-66	42630-MCS-G00	1-F11	2-56
41300-MCS-G01	1-F15	2-64	41461-MT3-610	1-F13	2-61	42650-MCS-611	1-F11	2-56
41305-MB4-770	1-F12	2-59		1-F16	2-66	42650-MCS-760	1-F11	2-56
	1-F15	2-64	41462-MT3-610	1-F13	2-61	42650-MCS-940	1-F11	2-56
41306-MB0-010	1-F12	2-59		1-F16	2-66	42650-MCS-G01	1-F11	2-56
41306-MB0-020	1-F12	2-59	41510-MB0-003	1-F13	2-61	42704-MB0-000	1-F2	2-38
	1-F15	2-64		1-F16	2-66		1-F11	2-57
41310-MCS-G01	1-F12	2-59	41530-MT3-610	1-F13	2-61	42705-MB0-000	1-F2	2-38
	1-F15	2-64		1-F16	2-66		1-F11	2-57
	1-F15	2-65	41531-MT3-610	1-F13	2-61	42706-MB0-000	1-F2	2-38
41311-MCS-G01	1-F12	2-59		1-F16	2-66		1-F11	2-57
	1-F15	2-65	41532-MT3-610	1-F13	2-61	42711-MCS-G01	1-F11	2-57
41311-MCS-G02	1-F12	2-59		1-F16	2-66	42711-MCS-G02	1-F11	2-57
	1-F15	2-65	41533-MT3-610	1-F13	2-61	42753-ML7-003	1-F2	2-38
41320-MCS-610	1-F12	2-59		1-F16	2-66		1-F11	2-57
41320-MCS-G00	1-F15	2-65	41534-MT3-610	1-F13	2-61	42753-ML7-004	1-F2	2-38
41324-MAJ-G00	1-F13	2-60		1-F16	2-66		1-F11	2-57
41324-MY3-780	1-F15	2-65	41535-MT3-610	1-F13	2-61	43107-MCS-G01	1-F10	2-54
41331-MN5-000	1-F13	2-60		1-F16	2-66	43108-MAJ-G41	1-F10	2-54
	1-F15	2-65	41536-MT3-610	1-F13	2-61	43112-MAJ-G41	1-F10	2-54
41332-415-000	1-F13	2-60		1-F16	2-67	43150-MCS-G01	1-F10	2-54
	1-F15	2-65	41537-MT3-610	1-F13	2-61	43155-MCS-G00	1-E7	2-16
41333-415-000	1-F13	2-60		1-F16	2-67		1-F8	2-50
	1-F15	2-65	41538-MT3-610	1-F13	2-61		1-F9	2-52
41410-MCS-G00	1-F13	2-60		1-F14	2-62	43157-MCS-610	1-F6	2-46
	1-F15	2-65		1-F16	2-67	43157-MCS-G01	1-F7	2-48
41436-MB0-310	1-F13	2-60	41539-MT3-610	1-F14	2-62	43207-MAJ-G41	1-F10	2-54
	1-F15	2-65		1-F16	2-67	43290-MCS-G01	1-F10	2-54
41437-MB0-310	1-F13	2-60	41540-MT3-610	1-F14	2-62	43310-MCS-611	1-F8	2-50
	1-F15	2-65		1-F16	2-67	43310-MCS-G02	1-F4	2-43
41438-MB0-310	1-F13	2-60	41541-MT3-610	1-F14	2-62	43311-MCS-G00	1-F7	2-48
	1-F15	2-65		1-F16	2-67	43312-MCS-G00	1-F7	2-48
41450-MT3-610	1-F13	2-60	41542-MT3-610	1-F14	2-62	43313-MCS-G01	1-F9	2-52
	1-F15	2-65		1-F16	2-67	43314-MCS-G00	1-F8	2-50
41451-MT3-610	1-F13	2-60	41543-MT3-610	1-F14	2-62		1-F9	2-52
	1-F15	2-65		1-F16	2-67	43315-MCS-G01	1-F8	2-50
41452-MT3-610	1-F13	2-60	41544-MT3-610	1-F14	2-62		1-F9	2-52
	1-F13	2-61		1-F16	2-67	43320-MCS-G01	1-F3	2-40
	1-F15	2-65	41545-MT3-610	1-F14	2-62		1-F4	2-43
41453-MT3-610	1-F13	2-61		1-F16	2-67	43321-MCS-610	1-F6	2-46
	1-F15	2-65	41546-MT3-610	1-F14	2-62	43321-MCS-G01	1-F7	2-48
41454-MT3-610	1-F13	2-61		1-F16	2-67	43322-MCS-G02	1-E7	2-16
	1-F15	2-65	42301-MCH-010	1-F11	2-56	43323-MCS-G01	1-E6	2-14
41455-MT3-610	1-F13	2-61	42301-MCS-G00	1-F11	2-56		1-E7	2-16
			42311-MCS-G00	1-F11	2-56	43324-MCS-G02	1-E6	2-14

PART NUMBER INDEX

Part Number	Grid	Page	Part Number	Grid	Page	Part Number	Grid	Page
43324-MCS-G02	1-E7	2-16	43515-MCS-610	1-F3	2-40	45134-KB7-005	1-E14	2-30
43325-MCS-G00	1-E6	2-14		1-F3	2-41	45150-MCS-G01	1-F1	2-37
	1-E7	2-16	43520-MCS-G01	1-F3	2-41	45156-MCS-760	1-E6	2-15
43326-MCS-G01	1-E6	2-14		1-F5	2-44		1-E7	2-17
	1-E7	2-16	43530-MCS-G01	1-F3	2-41	45156-MCS-G00	1-E6	2-14
43330-MCS-G02	1-E6	2-14		1-F5	2-44		1-E7	2-17
	1-E7	2-16	43615-MCS-G00	1-F7	2-48	45157-MCS-G00	1-E6	2-15
43331-MCS-G02	1-E6	2-14		1-F7	2-49		1-E7	2-17
	1-E7	2-16	44301-MCS-G00	1-F2	2-38	45158-MCP-900	1-F2	2-39
43332-MCS-G00	1-F6	2-46	44301-MCS-G01	1-F2	2-38	45158-MCS-G00	1-E6	2-15
	1-F7	2-48	44311-MCS-G00	1-F2	2-38		1-E7	2-17
43333-MCS-610	1-F6	2-46	44312-MCS-G00	1-F2	2-38	45160-MCS-G00	1-F6	2-46
43333-MCS-G00	1-F7	2-48		1-F2	2-39		1-F7	2-49
43334-MCS-G00	1-F7	2-48	44515-MCS-G01	1-F2	2-39	45161-MCW-D10	1-F2	2-39
43335-MCS-G02	1-F8	2-50	44620-MCS-G00	1-F2	2-39	45165-MCS-G00	1-E7	2-17
	1-F9	2-52	44650-MCS-610	1-F2	2-39	45203-MCC-006	1-E16	2-34
43336-MCS-G00	1-F8	2-50	44650-MCS-760	1-F2	2-39		1-F1	2-37
	1-F9	2-52	44650-MCS-940	1-F2	2-39		1-F10	2-55
43337-MCS-G01	1-F8	2-50	44650-MCS-G00	1-F2	2-39	45207-MAJ-G41	1-F1	2-37
	1-F9	2-52	44711-MCS-G01	1-F2	2-39	45215-MAJ-G41	1-E16	2-34
43351-MCS-G00	1-F11	2-57	44711-MCS-G02	1-F2	2-39		1-F1	2-37
43352-568-003	1-E15	2-33	45107-MAJ-G41	1-E15	2-33		1-F10	2-55
	1-F1	2-36		1-F1	2-36	45218-MAJ-G41	1-E16	2-34
	1-F6	2-46	45108-MZ2-016	1-E15	2-33	45220-MCS-G01	1-F2	2-39
	1-F7	2-48		1-F1	2-36	45250-MCS-611	1-E16	2-34
	1-F10	2-54	45111-MAJ-G41	1-E15	2-33	45250-MCS-G01	1-E16	2-34
43352-MG9-006	1-E9	2-21		1-F1	2-36	45290-MCW-D11	1-E16	2-34
43353-443-761	1-E9	2-21		1-F10	2-55	45442-MAT-000	1-F1	2-37
43353-461-771	1-E9	2-21	45112-MZ2-006	1-E15	2-33	45452-MZ2-000	1-E14	2-30
	1-E15	2-33		1-F1	2-36	45504-410-003	1-E4	2-10
	1-F1	2-36	45120-MCS-G01	1-F2	2-39		1-E5	2-12
	1-F6	2-46	45125-MCS-G02	1-E4	2-10		1-E9	2-21
	1-F7	2-48		1-E5	2-12	45510-MAJ-G41	1-E4	2-10
	1-F10	2-54	45126-MCS-610	1-E4	2-10		1-E5	2-12
	1-F10	2-55	45126-MCS-G02	1-E5	2-12	45510-MCS-761	1-E4	2-10
43353-MG9-006	1-E9	2-21	45127-MCS-G02	1-E7	2-16		1-E5	2-12
43415-MCS-G00	1-F3	2-40	45128-MCS-G02	1-E6	2-14	45512-MA6-006	1-E4	2-10
	1-F4	2-43		1-E7	2-17		1-E5	2-12
43503-MR7-006	1-F3	2-40	45129-MCS-G00	1-E6	2-14		1-E9	2-21
	1-F4	2-43		1-E7	2-17	45513-MM5-016	1-E4	2-10
43504-MB2-006	1-F1	2-36	45131-166-016	1-E16	2-34		1-E5	2-12
	1-F3	2-40		1-F1	2-37	45513-MR1-016	1-E4	2-10
	1-F4	2-43	45131-MAC-681	1-F10	2-55		1-E5	2-12
43510-MCS-G01	1-F3	2-40	45131-MCS-G01	1-E6	2-14		1-E9	2-21
	1-F4	2-43		1-E7	2-17	45517-166-006	1-E4	2-10
43511-MA6-006	1-F3	2-40	45131-ML7-921	1-E15	2-33		1-E5	2-12
	1-F4	2-43		1-E16	2-34		1-E9	2-21
43512-MCS-G01	1-F3	2-40		1-F1	2-36	45517-MCS-761	1-E4	2-10
	1-F4	2-43	45131-MZ2-006	1-F10	2-55		1-E5	2-12
43513-MY1-006	1-F3	2-40	45132-166-016	1-E16	2-34		1-E9	2-21
	1-F4	2-43		1-F1	2-37	45518-MB0-006	1-E9	2-21
43514-KS6-701	1-F3	2-40		1-F10	2-55	45518-MM5-006	1-E4	2-10
	1-F4	2-43	45133-MA3-006	1-E16	2-34		1-E5	2-12
43514-MN9-006	1-F3	2-40		1-F1	2-37		1-E9	2-21
	1-F4	2-43		1-F10	2-55	45520-300-000	1-F3	2-41
	1-F5	2-44		1-F10	2-55			

PART NUMBER INDEX

Part Number	Grid	Page	Part Number	Grid	Page	Part Number	Grid	Page
45520-300-000	1-F5	2-44	50318-041-600	1-G16	2-98	51447-KZ3-003	1-E14	2-31
45520-MM5-006	1-E4	2-10	50318-MCS-G02	1-H7	2-113	51449-MN5-003	1-E14	2-31
	1-E4	2-11	50320-MCS-G00	1-H2	2-103	51451-MAJ-G41	1-E14	2-31
	1-E5	2-12	50325-MCS-G00	1-G12	2-90	51454-MCS-G01	1-E14	2-31
	1-E5	2-13	50328-HA7-670	1-H15	2-129	51460-MCS-G01	1-E14	2-31
	1-E9	2-21	50352-428-000	1-H16	2-131	51486-087-711	1-C9	1-18
45521-MJ6-006	1-F3	2-41	50355-434-000	1-H16	2-131	51490-MCA-003	1-E14	2-31
	1-F5	2-44	50400-MT3-000ZE	1-H6	2-111	51500-MCS-G01	1-E14	2-31
45525-MAJ-G41	1-E4	2-11	50500-MCS-G01	1-G13	2-93	51500-MCS-G02	1-E14	2-31
	1-E5	2-13	50505-GR1-000	1-G10	2-87	51500-MCS-G03	1-E14	2-31
45530-MAJ-G41	1-E4	2-11	50505-MCS-760	1-G10	2-87	51520-MCS-G01	1-E14	2-31
	1-E5	2-13	50520-MCA-000	1-G13	2-93	52104-MCS-G00	1-G14	2-95
45620-MCS-G01	1-F1	2-37	50520-MCS-G00	1-G13	2-93	52115-MAT-000	1-E6	2-15
45630-MBG-016	1-F1	2-37	50523-MM4-000	1-G13	2-93		1-E7	2-17
46182-500-013	1-F1	2-37	50525-MCA-000	1-G13	2-93	52115-ML8-670	1-E6	2-15
	1-F3	2-41	50526-MCS-G01	1-G13	2-93		1-E7	2-17
	1-F5	2-44	50530-MCS-G00	1-G13	2-93	52148-MAC-780	1-H5	2-108
46200-MCS-G01	1-F6	2-46	50535-MCS-G00	1-G13	2-93	52200-MCS-610	1-G14	2-95
	1-F7	2-49	50538-ML7-000	1-G13	2-93	52200-MCS-G00	1-G14	2-95
46210-MCS-G00	1-F6	2-46	50542-MZ1-610	1-G13	2-93	52400-MCS-G02	1-G15	2-97
	1-F7	2-49		1-G14	2-94	52463-MAL-G00	1-G14	2-95
46300-MCS-G01	1-E6	2-15	50543-MZ1-610	1-G14	2-94	53100-MCS-G00ZA	1-E11	2-24
	1-E7	2-17	50600-MCS-G01ZA	1-G12	2-90	53103-GN5-900	1-H6	2-111
46500-MCS-G00	1-G11	2-88	50612-MT3-000	1-G12	2-90	53105-KV3-000	1-E11	2-24
46503-MAL-000	1-F3	2-41	50613-MT3-000	1-G12	2-90	53105-MCS-G00	1-E11	2-24
	1-F5	2-44	50617-MM5-000	1-G12	2-90	53105-MK4-620	1-E11	2-25
46504-MAL-601	1-F3	2-41		1-H6	2-111	53106-MJ0-000	1-E11	2-25
	1-F5	2-44	50618-MCS-G01	1-G11	2-88	53107-MJ0-000	1-E11	2-25
46506-MCS-G00	1-G11	2-89		1-G11	2-89	53108-MJ0-000	1-E11	2-25
46510-KJ9-000	1-G5	2-76	50618-MN8-000	1-G6	2-78	53111-MCS-G00	1-E11	2-25
46511-MBW-000	1-G11	2-88	50619-MT3-000	1-G12	2-90	53115-MCS-G00ZA	1-E11	2-25
46515-MN1-670	1-C3	1-7	50639-ML0-010	1-G12	2-90	53121-MCS-G00	1-E6	2-15
			50642-MT3-000	1-G12	2-90		1-E7	2-17
(5)			50644-MM5-000	1-G12	2-90	53140-MT3-000	1-E3	2-8
			50661-MT3-000	1-G12	2-91	53150-MCS-G00ZA	1-E11	2-25
50049-046-000	1-G6	2-78	50700-MCS-G00ZA	1-G12	2-91	53165-422-000	1-E3	2-8
50100-MCS-L01ZA	1-H6	2-110	50711-MT3-010	1-G12	2-91	53166-422-000	1-E3	2-8
50100-MCS-L02ZA	1-H6	2-110	50712-MT3-010	1-G12	2-91	53170-MCS-G01	1-E4	2-11
50159-KR3-300	1-G4	2-75	50718-MT3-000	1-G12	2-91		1-E5	2-13
50190-MCS-G00	1-H6	2-110	51400-MCS-G01	1-E14	2-30	53178-MCS-G01	1-E9	2-21
50191-MCS-G03	1-H6	2-110	51400-MCS-G02	1-E14	2-30	53214-371-010	1-E13	2-28
50192-MCS-G02	1-H6	2-110	51400-MCS-G03	1-E14	2-30	53214-KA4-701	1-E13	2-28
50193-MCS-G00	1-H6	2-110	51401-MCS-G01	1-E14	2-30	53219-MCS-G00	1-E13	2-28
50215-MCS-G00	1-G5	2-76	51402-MCS-G01	1-E14	2-30	53220-MCJ-D10	1-E13	2-28
50216-MCS-G02	1-H7	2-113	51403-MBR-003	1-E14	2-30	53236-171-000	1-G6	2-78
50240-MCS-G03	1-H6	2-110	51410-MCS-G01	1-E14	2-30	53300-MCS-G00	1-E11	2-25
50304-HE0-003	1-E9	2-21	51410-MCS-G02	1-E14	2-30	57100-MCA-971	1-E7	2-17
	1-F6	2-46	51412-KZ3-003	1-E14	2-30		1-F7	2-49
	1-F6	2-47		1-E14	2-31	57451-MY3-780	1-F16	2-67
	1-F7	2-49	51414-MCH-003	1-E14	2-31			
50310-MCS-G00	1-H6	2-110	51415-MCS-G01	1-E14	2-31	(6)		
50311-MCS-G00	1-H6	2-110	51420-MCS-G01	1-E14	2-31	61100-MCS-G00ZB	1-E13	2-29
	1-H6	2-111	51430-MCS-G01	1-E14	2-31	61100-MCS-G00ZF	1-E13	2-29
50312-MCS-G00	1-H6	2-111	51430-MCS-G02	1-E14	2-31	61102-329-300	1-G2	2-71
50312-MCS-L00	1-H6	2-111	51432-MCS-G01	1-E14	2-31	61103-MCS-G00	1-E6	2-15
50318-041-600	1-G8	2-82	51432-MS2-003	1-E14	2-31			

PART NUMBER INDEX

Part Number	Grid	Page	Part Number	Grid	Page	Part Number	Grid	Page
61103-MCS-G00	1-E7	2-17	64324-MCS-G00	1-H7	2-112	77236-GZ5-000	1-G6	2-79
61104-357-000	1-G4	2-75	64328-MCS-G00ZB	1-H14	2-127	77261-MCS-G00ZB	1-I4	2-139
61104-422-000	1-G2	2-71	64328-MCS-G00ZE	1-H14	2-127	77261-MCS-G01ZB	1-I4	2-139
61104-428-000	1-G4	2-75	64330-MCS-G00	1-H11	2-121	77300-MCS-G00	1-G5	2-76
	1-I2	2-135	64350-MCS-710ZA	1-H14	2-127	77309-KK6-000	1-G16	2-98
61104-435-000	1-H10	2-118	64350-MCS-771ZB	1-H14	2-127	77310-MCS-770ZA	1-G6	2-79
61304-162-013	1-E13	2-29	64350-MCS-L01ZC	1-H14	2-127	77312-MCS-770	1-G6	2-79
61403-MCS-G00	1-E6	2-15	64361-MCS-G00	1-G13	2-92	77313-MCS-G00	1-G6	2-79
	1-E7	2-17	64362-MCS-G00	1-H7	2-112	77316-MCS-770	1-G6	2-79
64110-MCS-G01	1-H10	2-118	64363-MCS-G00	1-H7	2-113	77330-MCS-G00	1-G6	2-79
64121-MCS-G00	1-G6	2-78	64364-MCS-G00	1-H7	2-113	77340-MCS-G00ZB	1-G6	2-79
64123-MCS-760	1-I4	2-139	64365-MCS-G00	1-H7	2-113	77350-MCS-G00ZB	1-G6	2-79
64123-MCS-G00	1-I4	2-139	64366-MCS-G00	1-H7	2-113	77531-MCS-G00	1-G5	2-76
64150-MCS-G00	1-H10	2-118	64367-MCS-G00	1-H7	2-113	77533-MCS-G00	1-G5	2-76
64151-MCS-G00	1-H10	2-118	64368-MCS-G00	1-G3	2-72	77534-MCS-G00	1-G5	2-77
64170-MCS-G00	1-H10	2-118	64369-MCS-G00	1-G3	2-72	77536-MCS-G00	1-G5	2-77
64170-MCS-G01	1-H10	2-118	64371-MCS-G00	1-H15	2-128	77537-MCS-G00	1-G5	2-77
64171-MCS-760	1-H10	2-118	64374-MCS-G00	1-H7	2-113			
64171-MCS-G00	1-H10	2-118	64400-MCS-760	1-H14	2-127	(8)		
64171-MCS-G01	1-H10	2-118	64410-MCS-G01	1-H14	2-127	80100-MCS-770	1-G16	2-98
64172-MCS-G00	1-H10	2-118	64412-MCS-G00	1-H14	2-127	80103-192-600	1-G16	2-98
64174-MCS-G00	1-H10	2-118	64450-MCS-760	1-H14	2-127	80106-382-770	1-G4	2-75
64175-MCS-G00	1-H10	2-118	64460-MCS-G01	1-H14	2-127	80106-MCS-G00	1-G16	2-98
64176-MCS-760	1-H10	2-119	64500-MCS-G00	1-H15	2-129	80108-MCS-G00	1-H2	2-103
64176-MCS-G00	1-H10	2-119	64509-MK4-000	1-H10	2-119	80109-MCS-G00	1-G16	2-98
64176-MCS-G01	1-H10	2-119	64510-MCS-G00	1-H14	2-127	80113-MCS-G00	1-G15	2-97
64177-MCS-G00	1-H10	2-119	64527-MBC-000	1-H10	2-119	80114-MCS-G00	1-H2	2-103
64178-MCS-G00	1-H10	2-119	64592-MCS-G00	1-H14	2-127	81201-MCS-G00ZA	1-H16	2-131
64183-MCS-G00	1-H10	2-119	64597-MCS-G00	1-H14	2-127	81201-MCS-G01ZA	1-H16	2-131
64184-MCS-640	1-H10	2-119	66871-KY2-700	1-H13	2-124	81201-MCS-G01ZB	1-H16	2-131
64188-MCS-G00	1-H10	2-119		1-H13	2-125	81205-MCS-770ZA	1-H16	2-131
64206-MCS-L01	1-H6	2-111				81205-MCS-770ZC	1-H16	2-131
64210-MCS-G00ZE	1-H11	2-121	(7)			81207-MCS-G00ZA	1-H16	2-131
64210-MCS-G00ZH	1-H11	2-121	75581-GN8-920	1-G6	2-78	81207-MCS-G01ZB	1-I1	2-132
64215-MCS-G00	1-H11	2-121	75581-MAT-D00	1-H16	2-131	81208-MCS-G00	1-I1	2-132
64216-MCS-G00	1-H6	2-111	77100-MCS-G00	1-G5	2-76	81220-MCS-G00	1-I1	2-132
64222-MCS-G00	1-H13	2-124	77116-MCS-G00	1-H6	2-111	81235-MCS-G00ZA	1-I1	2-132
64223-MCS-G00	1-H13	2-124	77117-MCS-G00	1-H6	2-111	81255-MCS-G00	1-I1	2-132
64225-MCS-G00	1-H13	2-124	77156-MCS-G00	1-G6	2-78	81260-MCS-G00	1-I1	2-132
64226-MCS-G00	1-H13	2-124	77204-312-000	1-G5	2-76	81270-MCS-G00ZA	1-I1	2-132
64229-MCS-G00	1-H13	2-124	77205-286-000	1-G5	2-76	81274-MCS-G00	1-I1	2-132
64235-MCS-G00	1-H13	2-124	77205-MCS-G00	1-H6	2-111	81275-MCS-G00	1-I1	2-132
64236-MCS-G00	1-H13	2-124	77206-GF0-000	1-G5	2-76	81301-MCS-G00ZA	1-I1	2-132
64237-MCS-G00	1-H13	2-124	77206-MJ0-000	1-G10	2-87	81301-MCS-G01ZA	1-I1	2-132
64260-MCS-G01	1-H14	2-126	77210-MCS-760ZA	1-G8	2-82	81301-MCS-G01ZB	1-I1	2-133
64265-MCS-G01	1-H14	2-126	77210-MCS-G00ZB	1-G8	2-82	81305-MCS-770ZA	1-I1	2-133
64277-MCS-G00	1-H13	2-124	77210-MCS-G01ZB	1-G8	2-82	81305-MCS-770ZC	1-I1	2-133
64285-MCS-G00	1-H14	2-126	77215-GC2-000	1-G5	2-76	81307-MCS-G00ZA	1-I1	2-133
64295-MCS-G00	1-H14	2-126	77220-KY6-000	1-G6	2-78	81307-MCS-G01ZB	1-I1	2-133
64300-MCS-710ZA	1-H14	2-126	77220-KY6-010	1-G6	2-78	81308-MCS-G00	1-I1	2-133
64300-MCS-771ZB	1-H14	2-126	77223-MW3-670	1-G8	2-82	81318-MCS-G00	1-I1	2-133
64300-MCS-L01ZC	1-H14	2-126	77226-MCS-G00	1-G6	2-78	81318-MT3-000	1-I1	2-133
64321-MCS-G00	1-H15	2-128	77227-MCS-G00	1-H16	2-131	81319-MCS-G00	1-I1	2-133
64322-MCS-G00	1-H14	2-126	77233-MBL-611	1-H13	2-125	81327-MT3-000	1-I1	2-133
64323-MCS-G00ZB	1-H14	2-126	77236-GZ5-000	1-G6	2-78	81370-MCS-G00ZA	1-I1	2-133
64323-MCS-G00ZE	1-H14	2-126						

PART NUMBER INDEX

Part Number	Grid	Page	Part Number	Grid	Page	Part Number	Grid	Page
81374-MCS-G00	1-H1	2-133	88120-MCS-G01	1-H12	2-122	90019-MA6-000	1-C2	1-5
81380-MCS-G00	1-H1	2-133	88121-MCS-G00ZB	1-H12	2-122		1-C4	1-8
83600-MCS-G01ZB	1-G8	2-82	88121-MCS-G00ZE	1-H12	2-122	90019-MCJ-000	1-D1	1-34
83600-MCS-G01ZE	1-G8	2-82	88122-MCS-G00	1-H12	2-122	90020-MCS-G00	1-E12	2-27
83601-MCS-G00	1-G8	2-83	89010-MCS-G00	1-H8	2-114	90020-ZC3-000	1-C1	1-3
83601-MN5-000	1-E1	2-4	89101-MBW-000	1-H8	2-114	90021-MM5-000	1-C8	1-17
	1-E1	2-5	89103-371-000	1-H8	2-114		1-D1	1-34
	1-H14	2-127	89103-538-000	1-H8	2-114	90022-MAT-E00	1-C11	1-23
83605-MCS-G00	1-G8	2-82	89210-GBJ-J00	1-H8	2-114	90022-MY5-600	1-D8	1-49
	1-G16	2-98	89211-KJ2-000	1-H8	2-114	90026-MM8-000	1-C8	1-17
83605-MY5-G30	1-E2	2-7	89214-ML0-000	1-H8	2-114	90035-MM5-000	1-C2	1-5
83618-323-000	1-H2	2-103	89216-MBG-000	1-H8	2-114		1-C4	1-8
83642-MN5-000	1-H8	2-114	89217-968-000	1-H8	2-115	90065-MCS-G00	1-G11	2-89
83700-MCS-G01ZB	1-G8	2-82	89218-MF5-000	1-H8	2-114	90071-MB0-000	1-C14	1-28
83700-MCS-G01ZE	1-G8	2-82	89218-MN8-000	1-H8	2-114	90074-MT4-000	1-G2	2-71
84240-MCS-G00	1-G6	2-79	89221-429-000	1-H8	2-115	90083-657-000	1-C1	1-3
84260-MCS-G00	1-G6	2-79	89223-MJ0-920	1-H8	2-115	90084-KY2-000	1-C9	1-18
84273-MCS-G00	1-G6	2-79	89227-461-000	1-H8	2-115	90085-MCS-000	1-C12	1-25
84340-MCS-G00	1-G6	2-79				90086-MZ8-H00	1-C8	1-17
84360-MCS-G00	1-G6	2-79				90087-KT7-000	1-C9	1-18
84373-MCS-G00	1-G6	2-79	(9)			90100-GCT-J50	1-G6	2-79
84700-MCS-770	1-G16	2-98	90001-MCS-000	1-D2	1-37	90101-MCS-G00	1-G15	2-97
	1-G16	2-99	90002-MCS-000	1-D8	1-49	90101-MCV-000	1-E2	2-7
84703-425-000	1-G2	2-71	90003-MCS-000	1-D8	1-49	90101-MN5-003	1-C1	1-3
84706-163-670	1-E7	2-17	90004-GHB-600	1-C8	1-16	90102-MCS-G00	1-H6	2-111
86150-GEZ-000	1-E11	2-25	90004-GHB-670	1-C8	1-16	90103-KCM-620	1-G10	2-87
86150-KPG-901	1-E11	2-25		1-C8	1-17	90103-MCS-G00	1-E6	2-15
87135-MCF-000	1-I3	2-137	90004-GHB-680	1-C10	1-20		1-E7	2-17
87135-MCF-670	1-I3	2-137		1-D1	1-34		1-F5	2-44
87135-MCS-710	1-I3	2-137	90004-GHB-710	1-C9	1-18		1-F8	2-50
87135-MCS-L00	1-I3	2-137		1-C10	1-20		1-F9	2-52
87139-463-670	1-I3	2-137	90004-MCS-000	1-D1	1-35	90103-MT7-000	1-E14	2-31
87505-MCS-770	1-I3	2-137	90005-MAS-E00	1-C2	1-4	90104-MCC-000	1-E11	2-25
87512-KV6-610	1-I3	2-137		1-C3	1-7	90104-MN4-000	1-G6	2-79
87512-MCA-A00	1-I3	2-137	90005-MN5-000	1-C11	1-23	90105-KAF-000	1-G12	2-91
87516-MBL-610	1-G15	2-97		1-C12	1-24	90105-MBG-000	1-G4	2-75
87520-MZ3-300	1-I3	2-137	90007-MAT-000	1-C2	1-4	90105-MV9-003	1-F11	2-57
87521-MZ3-300	1-I3	2-137		1-C2	1-5	90106-KCZ-000	1-H14	2-127
87523-MCS-G00	1-I4	2-138		1-C3	1-7	90106-KY2-701	1-H14	2-127
87523-MZ3-300	1-I3	2-137		1-C4	1-8	90106-MAV-000	1-E11	2-25
87560-MZ0-670	1-I4	2-138	90007-MCS-000	1-C2	1-5		1-F7	2-49
87565-MCS-640ZB	1-I4	2-138		1-C4	1-8	90106-MBL-610	1-G6	2-79
87565-MCS-760ZA	1-I4	2-138	90008-PR3-000	1-C12	1-24		1-G8	2-82
87565-MCS-770ZB	1-I4	2-138		1-C12	1-25		1-G16	2-99
87565-MCS-940ZA	1-I4	2-138	90010-GHB-660	1-E4	2-11	90106-MBY-000	1-G8	2-82
87565-MCS-G00ZB	1-I4	2-138		1-E5	2-13		1-G8	2-83
87565-MCS-L00ZB	1-I4	2-138		1-E10	2-23		1-G16	2-99
87586-MCS-710	1-I3	2-137	90011-MCS-000	1-C8	1-17		1-H14	2-127
87610-MCS-710ZA	1-I4	2-139	90013-883-000	1-F14	2-62	90106-MCS-G00	1-F8	2-50
87610-MCS-L00ZB	1-I4	2-139		1-F16	2-67		1-F9	2-52
87611-MCS-L00ZA	1-I4	2-139	90017-MAL-600	1-C1	1-3		1-F9	2-53
88110-MCS-G01	1-H11	2-121	90017-MCS-000	1-C1	1-3	90106-MT3-003	1-F2	2-39
88111-MCS-G00ZB	1-H11	2-121	90018-425-000	1-C2	1-5	90107-MBG-000	1-E11	2-25
88111-MCS-G00ZE	1-H11	2-121		1-C4	1-8	90108-MBG-000	1-G4	2-75
88112-MCS-G00	1-H11	2-121	90018-ZA5-000	1-E6	2-15	90108-MK6-670	1-G14	2-94
88115-MT3-000	1-H11	2-121		1-E7	2-17	90109-MR7-000	1-E14	2-31

PART NUMBER INDEX

Part Number	Grid	Page	Part Number	Grid	Page	Part Number	Grid	Page
90111-162-000	1-H9	2-117	90134-MCS-G01	1-H7	2-112	90303-HA0-680	1-G6	2-79
90111-KW3-003	1-G2	2-71	90135-MAJ-G41	1-E16	2-35		1-G7	2-80
	1-H1	2-101		1-F1	2-37	90304-GE8-003	1-H6	2-111
90111-MCS-G01	1-F8	2-50		1-F10	2-55	90304-MCS-G00	1-G15	2-97
	1-F8	2-51	90135-MCS-G00	1-E7	2-17	90304-MK3-000	1-E11	2-25
	1-F9	2-53	90135-MCS-G01	1-E7	2-17	90304-MM5-000	1-G10	2-87
90111-MR5-000	1-H2	2-103		1-H14	2-127	90305-MCJ-000	1-F2	2-39
90112-MCS-G03	1-H6	2-111	90136-MCS-G00	1-E11	2-25	90305-SJ4-003	1-I1	2-133
90112-MCS-G04	1-H6	2-111	90137-MCS-G00	1-E11	2-25	90306-MCS-G00	1-F11	2-57
90113-MM5-000	1-H14	2-127	90138-MCS-G00	1-E13	2-29	90306-SA0-000	1-E1	2-5
90114-MA5-671	1-E4	2-11	90145-MCA-971	1-E7	2-17	90308-357-000	1-F14	2-63
	1-E5	2-13		1-F7	2-49		1-F16	2-67
	1-E9	2-21	90145-MR8-014	1-E9	2-21	90309-428-731	1-E12	2-26
90114-MCS-G00	1-E4	2-11		1-F3	2-41		1-F6	2-47
	1-E5	2-13		1-F5	2-44		1-F7	2-49
	1-E6	2-15	90145-MS9-612	1-E4	2-11	90309-KF0-003	1-E11	2-25
	1-E7	2-17		1-E5	2-13		1-F6	2-47
	1-F6	2-47		1-E6	2-15		1-F7	2-49
	1-F7	2-49		1-E8	2-18	90310-SB2-003	1-H10	2-119
90115-MT3-000	1-G12	2-91		1-E9	2-21	90315-MK3-003	1-H9	2-117
90116-383-721	1-E15	2-32		1-F8	2-51	90320-747-000	1-G16	2-99
90116-MCS-G00	1-H10	2-119		1-F9	2-53	90325-197-000	1-G10	2-87
	1-H14	2-127	90147-MCE-950	1-G14	2-94	90355-MCS-G00	1-G15	2-96
90116-SP0-003	1-H14	2-127	90148-SA0-000	1-H10	2-119	90381-MT3-000	1-F14	2-63
90117-MCS-G01	1-E15	2-32	90150-GN1-000	1-H6	2-111		1-F16	2-67
90117-MN5-000	1-H12	2-122	90153-SB2-003	1-H2	2-103	90401-MAS-000	1-F12	2-58
90118-MCH-000	1-F14	2-63		1-H3	2-104	90401-MBB-000	1-C11	1-23
	1-F16	2-67		1-H3	2-105	90401-MS2-610	1-C11	1-23
90118-MR1-000	1-G10	2-87		1-H4	2-107	90401-ZG5-000	1-H6	2-111
	1-H14	2-127	90158-MT7-000	1-E4	2-11	90402-MBB-000	1-C11	1-23
90119-MCS-G02	1-H6	2-111		1-E5	2-13		1-C12	1-25
90120-MCS-G00	1-G14	2-94		1-E10	2-22	90405-752-830	1-H7	2-113
90121-MCS-G03	1-G14	2-95	90158-MZ0-000	1-G15	2-96	90405-758-L00	1-H7	2-113
90122-MCS-G00	1-G14	2-95	90165-MCJ-000	1-E11	2-25	90417-360-000	1-D8	1-49
90122-MCS-G01	1-G14	2-95	90182-MB2-003	1-G15	2-97	90421-MN5-003	1-D9	1-51
	1-G15	2-96	90191-KBG-000	1-E11	2-25	90428-PD6-003	1-G4	2-75
90123-MCS-G00	1-G6	2-79	90191-MAJ-G00	1-E11	2-25	90432-MCS-G00	1-F11	2-57
90125-MCS-G00	1-H15	2-129	90201-415-000	1-E4	2-11	90440-GT4-970	1-H7	2-113
90126-MCS-G00	1-H10	2-119		1-E5	2-13	90442-397-000	1-C8	1-17
90127-MCS-G00	1-G12	2-91		1-E9	2-21		1-D15	1-62
90131-124-000	1-F3	2-41	90201-425-700	1-G6	2-79	90443-MJ6-000	1-D2	1-37
	1-F5	2-44	90201-700-000	1-G11	2-89		1-D15	1-62
90131-KBV-003	1-E16	2-34	90201-HA0-000	1-G15	2-97	90451-155-000	1-D8	1-49
90131-KPB-751	1-F2	2-39	90201-PD1-000	1-G4	2-75	90451-MCS-000	1-D7	1-46
90131-MY3-781	1-F11	2-57	90202-HA0-000	1-G15	2-97	90452-MAT-000	1-D7	1-46
90132-MCC-000	1-F1	2-37	90203-MF9-710	1-G14	2-94	90452-MR7-000	1-D7	1-46
90133-MAT-000	1-F1	2-37	90205-MN5-000	1-D9	1-51	90454-MC7-000	1-D10	1-53
90133-MB0-000	1-F14	2-63	90231-MS2-610	1-C11	1-23	90455-ML7-000	1-D7	1-46
	1-F16	2-67	90231-PD1-014	1-C15	1-31	90457-MCS-000	1-D5	1-43
90133-MCS-G00	1-H1	2-101	90241-MB0-000	1-D9	1-51	90458-729-920	1-D7	1-46
	1-H12	2-122	90301-473-003	1-F6	2-47	90458-MAT-000	1-D5	1-43
	1-H13	2-125		1-F7	2-49	90463-MAT-000	1-D7	1-46
	1-H14	2-127		1-G2	2-71	90463-MCS-000	1-C13	1-26
	1-H15	2-128	90301-GCT-J50	1-G11	2-89		1-D15	1-62
90134-HA0-000	1-F14	2-63	90302-425-830	1-E13	2-28	90463-ML7-000	1-C2	1-5
	1-F16	2-67	90302-MCJ-750	1-E13	2-28		1-C4	1-8

PART NUMBER INDEX

Part Number	Grid	Page	Part Number	Grid	Page	Part Number	Grid	Page
90463-ML7-000	1-D2	1-37	90651-MA5-671	1-E5	2-13	91051-MN5-003	1-F14	2-63
	1-D14	1-61	90651-MAT-000	1-F6	2-47		1-F16	2-67
	1-D15	1-62		1-F7	2-49		1-G1	2-68
90463-MR7-000	1-D7	1-47	90651-MBG-006	1-F3	2-41	91052-KZ4-J21	1-F11	2-57
90464-MAT-000	1-D7	1-47		1-F5	2-45	91052-MAE-004	1-F11	2-57
90464-MR7-000	1-D7	1-47	90651-MCH-000	1-F11	2-57	91052-MCS-G01	1-F14	2-63
90482-567-000	1-G4	2-75	90652-KT1-771	1-E10	2-22		1-G1	2-68
90483-041-000	1-H1	2-101		1-H3	2-105	91053-MCS-G01	1-F2	2-39
90488-425-000	1-C8	1-17		1-H4	2-107	91053-MN5-003	1-F11	2-57
	1-D15	1-62	90657-SB0-003	1-G16	2-99	91059-KY2-711	1-E12	2-26
90501-124-000	1-H14	2-127		1-H10	2-119	91061-MT3-003	1-F14	2-63
90501-437-710	1-H13	2-125		1-H15	2-128		1-G1	2-68
90501-438-000	1-G10	2-87	90661-MCA-003	1-E6	2-15	91066-MCA-003	1-G15	2-96
90501-MB0-000	1-D1	1-34		1-E8	2-18	91071-KV3-005	1-G15	2-96
90501-MCS-G02	1-H15	2-129	90661-SL0-A01	1-G2	2-71	91106-KM1-013	1-C13	1-27
90501-MT2-000	1-H10	2-119	90676-HC0-000	1-H3	2-105	91201-148-003	1-C10	1-20
90504-964-000	1-I1	2-133		1-H4	2-107	91201-965-000	1-C10	1-20
90506-425-830	1-E13	2-28	90677-KAN-961	1-G8	2-83	91201-MV1-003	1-C13	1-27
90512-MBY-000	1-H10	2-119		1-G16	2-99	91203-KK3-830	1-C13	1-27
90514-921-000	1-G11	2-89		1-H1	2-101	91204-MB0-013	1-C13	1-27
90525-428-900	1-E8	2-19		1-H12	2-122	91209-MB0-003	1-C13	1-27
90526-GB0-930	1-G7	2-80		1-H13	2-125	91209-MCS-000	1-D8	1-49
90535-KB9-000	1-E12	2-26		1-H15	2-128	91212-422-006	1-F3	2-41
90543-MV9-670	1-C1	1-3	90679-SG9-E01	1-H6	2-111		1-F5	2-45
	1-D14	1-61	90690-GHB-601	1-H2	2-103	91251-MCS-G01	1-F11	2-57
90544-283-000	1-E15	2-32	90690-GHB-651	1-H15	2-129	91252-MCS-G01	1-F2	2-39
90545-300-000	1-E4	2-11	90690-GHB-661	1-H2	2-103	91254-MCA-003	1-E15	2-32
	1-E5	2-13		1-H15	2-129	91261-ME9-005	1-G15	2-96
	1-E6	2-15	90701-MV9-670	1-D2	1-37	91261-MY3-003	1-F14	2-63
	1-E8	2-18	90702-HC4-000	1-C2	1-5		1-G1	2-68
	1-E9	2-21		1-C4	1-8	91262-KV3-831	1-G15	2-96
	1-F3	2-41	90702-MJ4-000	1-D2	1-37	91262-MY3-003	1-F14	2-63
	1-F5	2-45	90861-SA5-003	1-H9	2-117		1-G1	2-68
	1-F7	2-49	90899-KL8-000	1-G16	2-99	91265-MY3-003	1-F14	2-63
	1-F8	2-51	91001-MCS-003	1-D8	1-49		1-G1	2-68
	1-F9	2-53	91002-MCS-003	1-D7	1-47	91268-463-003	1-F14	2-63
90556-KR3-000	1-G16	2-99	91003-MCS-003	1-D7	1-47		1-G1	2-68
90557-230-000	1-G11	2-89		1-D8	1-49	91301-250-000	1-C1	1-3
90581-701-000	1-G4	2-75	91005-MCS-003	1-D8	1-49		1-D14	1-61
90581-831-650	1-G4	2-75	91007-MCS-003	1-C16	1-32	91301-679-003	1-D2	1-37
90601-KJ9-000	1-E12	2-26	91008-362-000	1-C11	1-23		1-D15	1-62
90602-MM5-000	1-D7	1-47	91008-374-003	1-D8	1-49	91301-MCF-000	1-C9	1-18
90603-MN4-000	1-D7	1-47	91008-KK6-000	1-C11	1-23		1-D15	1-62
90604-MM5-000	1-D7	1-47	91010-HC0-003	1-C11	1-23	91301-PLC-000	1-D12	1-56
90650-KV6-003	1-D1	1-35	91011-KK6-013	1-C11	1-23	91302-001-020	1-F14	2-63
	1-E3	2-8	91014-MAT-003	1-D5	1-43		1-G1	2-68
	1-E12	2-26	91015-KT8-005	1-E13	2-28	91302-377-000	1-D6	1-44
	1-H3	2-105	91015-MAT-003	1-D5	1-43		1-D15	1-62
	1-H4	2-107		1-D6	1-44	91302-KE8-003	1-D2	1-37
90650-MA6-720	1-H7	2-113	91016-KT8-005	1-E13	2-28		1-D15	1-62
	1-H12	2-122	91016-MAT-003	1-D6	1-44	91302-MA6-003	1-F11	2-57
90651-377-003	1-E10	2-22	91017-MAT-003	1-D6	1-44	91302-MAL-601	1-C13	1-27
90651-KV6-003	1-G2	2-71	91018-MAT-003	1-D6	1-44		1-D15	1-62
	1-H3	2-105	91026-MB4-003	1-D7	1-47	91302-PNA-003	1-D12	1-57
	1-H4	2-107	91027-MCS-003	1-C12	1-25	91303-377-000	1-C9	1-18
90651-MA5-671	1-E4	2-11	91051-MCW-D01	1-E15	2-32		1-D15	1-62

PART NUMBER INDEX

Part Number	Grid	Page	Part Number	Grid	Page	Part Number	Grid	Page
91303-MCS-003	1-C15	1-31	91406-SL4-931	1-G2	2-71	93893-04030-07	1-E1	2-5
	1-D15	1-62	91422-KFT-620	1-G7	2-80	93893-05012-08	1-G4	2-75
91303-PK2-005	1-G9	2-85	91455-MB0-010	1-E12	2-26	93894-05022-07	1-E1	2-5
91304-GC8-003	1-C8	1-17	91501-766-000	1-G7	2-80	93901-22220	1-E2	2-7
	1-D15	1-62	91508-MM5-000	1-G9	2-85	93901-22320	1-E2	2-7
91304-MAJ-G41	1-C15	1-31	91509-GE2-760	1-H1	2-101	93903-22320	1-H12	2-122
	1-D15	1-62		1-H15	2-128		1-H12	2-123
91305-422-000	1-C15	1-31	91548-SA5-003	1-H16	2-130	93903-24080	1-I1	2-133
	1-D2	1-37	91549-MW0-790ZA	1-H15	2-128	93903-24280	1-H15	2-128
	1-D15	1-62	92101-04010-0A	1-G12	2-91	93903-24320	1-G7	2-80
91305-MC7-000	1-G2	2-71	92101-06012-0A	1-F14	2-63	93903-24380	1-H1	2-100
91307-425-003	1-C1	1-3		1-G1	2-68		1-H12	2-123
	1-D14	1-61	92101-06012-0G	1-H10	2-119		1-H13	2-125
91309-425-003	1-C14	1-28	92101-06014-0A	1-H10	2-119		1-H15	2-128
	1-D15	1-62	92101-06020-4J	1-H5	2-108		1-I1	2-133
91309-PX4-003	1-C2	1-5	92501-08016-0A	1-G12	2-91	93903-24410	1-E2	2-7
	1-C9	1-18	93401-06014-07	1-H9	2-117	93903-24420	1-E2	2-7
	1-D14	1-61	93404-06016-07	1-E8	2-18	93903-24680	1-I1	2-133
	1-D15	1-62	93404-06025-00	1-I2	2-135	93903-25210	1-E2	2-7
91312-MG7-003	1-C14	1-28	93404-06028-00	1-G10	2-87	93903-25280	1-F3	2-41
	1-D15	1-62	93500-05012-0A	1-H12	2-122	93903-25310	1-E2	2-7
91313-MB0-003	1-D1	1-34	93500-05020-0A	1-H1	2-101	93903-25380	1-H13	2-125
	1-D15	1-62	93600-04012-0G	1-E4	2-11	93903-25480	1-G9	2-85
91313-MG7-004	1-D1	1-34		1-E5	2-13	93903-44680	1-I1	2-133
	1-D15	1-62	93600-04012-1G	1-E4	2-11	93911-25420	1-G9	2-85
91315-MCS-003	1-D1	1-35		1-E5	2-13	94001-06080-0S	1-C15	1-31
	1-D15	1-62	93891-05008-00	1-E12	2-26	94002-06020-0S	1-G11	2-89
91320-MB0-000	1-C14	1-28	93891-05016-00	1-G2	2-71	94002-08000-0S	1-F3	2-41
91331-PC9-003	1-D10	1-53	93891-05020-00	1-G2	2-71		1-F5	2-45
	1-D14	1-61	93892-03008-10	1-D13	1-58	94002-08080-0S	1-F3	2-41
91351-881-000	1-C13	1-27	93892-04012-00	1-D12	1-57		1-F5	2-45
	1-D15	1-62	93892-04012-10	1-D12	1-57	94050-04000	1-D2	1-37
91355-MG9-006	1-E10	2-22	93892-05010-00	1-D12	1-57		1-E1	2-5
91356-425-003	1-C9	1-18	93892-05010-10	1-D12	1-57	94050-05000	1-G16	2-99
	1-C9	1-19	93892-05020-07	1-E3	2-8		1-H12	2-123
	1-D15	1-62		1-E3	2-9	94050-06000	1-E13	2-29
91356-425-005	1-C9	1-19	93892-05025-07	1-E3	2-8		1-G7	2-80
	1-D15	1-62	93892-05035-07	1-E3	2-9		1-G10	2-87
91356-MW0-003	1-E15	2-32	93892-05040-07	1-E3	2-9	94050-06070	1-H10	2-119
91358-MG9-003	1-F11	2-57	93892-05045-07	1-E3	2-9		1-H16	2-130
91358-MG9-004	1-F11	2-57	93892-06020-00	1-D13	1-58	94050-06080	1-G3	2-72
91359-MG9-003	1-F14	2-63	93892-06020-10	1-D13	1-58		1-G4	2-75
	1-G1	2-68		1-D13	1-59		1-G5	2-77
91361-SF4-951	1-D10	1-53	93893-04012-07	1-E4	2-11	94050-08000	1-G10	2-87
	1-D14	1-61		1-E5	2-13		1-H7	2-113
91405-943-000	1-E8	2-19		1-E10	2-22	94050-10000	1-H6	2-111
	1-E10	2-22		1-F3	2-41	94101-04700	1-H13	2-125
	1-H7	2-113		1-F5	2-45	94101-06000	1-G1	2-69
91405-MCS-G00	1-G2	2-71	93893-04012-17	1-E4	2-11		1-G7	2-80
91405-PD1-004	1-G4	2-75		1-E5	2-13	94101-06080	1-G1	2-69
91406-166-000	1-E10	2-22		1-E10	2-22		1-G7	2-80
	1-F6	2-47		1-F3	2-41		1-G12	2-91
	1-F7	2-49		1-E10	2-22		1-G7	2-80
	1-H3	2-105		1-F3	2-41		1-G12	2-91
	1-H4	2-107		1-F5	2-45	94101-06800	1-G1	2-69
91406-SL4-931	1-D10	1-53	93893-04020-07	1-G7	2-80		1-G5	2-77

PART NUMBER INDEX

Part Number	Grid	Page	Part Number	Grid	Page	Part Number	Grid	Page
94101-06800	1-G7	2-80	95002-02120	1-G3	2-72	95701-06040-07	1-E8	2-18
	1-G12	2-91	95002-41000-08	1-G4	2-75	95701-06045-00	1-H16	2-130
	1-H10	2-119	95002-41250-08	1-D10	1-53	95701-06045-07	1-E6	2-15
94101-08000	1-G12	2-91	95005-35001-20M	1-D12	1-57		1-E8	2-18
94101-08700	1-G14	2-94	95005-45001-20M	1-I2	2-135		1-H16	2-130
94101-10000	1-F14	2-63	95005-55003-20M	1-H9	2-117	95701-06080-00	1-D1	1-35
	1-G1	2-68	95005-80001-20M	1-I3	2-136	95701-06115-08	1-G3	2-72
	1-G1	2-69	95012-17001	1-G7	2-81	95701-08025-00	1-C16	1-32
94102-08000	1-H7	2-113	95015-81000	1-G5	2-77		1-D6	1-44
94102-08800	1-G7	2-80	95015-83000	1-G12	2-91	95701-08028-00	1-C13	1-27
94103-04700	1-I1	2-133	95700-06018-00	1-C9	1-19	95701-08032-00	1-C13	1-27
94103-05700	1-F3	2-41		1-D2	1-37	95701-08040-00	1-C13	1-27
94103-06700	1-G3	2-72		1-D6	1-44		1-H7	2-113
	1-H9	2-117	95701-06010-00	1-D1	1-35	95701-08040-08	1-H7	2-113
				1-H7	2-113	95701-08060-00	1-D2	1-37
94103-08000	1-G10	2-87	95701-06010-07	1-E8	2-18	95701-08065-00	1-C15	1-31
94109-14000	1-D1	1-35	95701-06010-08	1-F3	2-41	95701-08075-00	1-C13	1-27
	1-D2	1-37		1-F4	2-42	95701-08080-00	1-D2	1-37
	1-D15	1-62		1-F5	2-45	95701-08085-00	1-C13	1-27
	1-F14	2-63		1-G5	2-77		1-C15	1-31
	1-G1	2-69	95701-06012-00	1-D2	1-37	95701-08090-00	1-C15	1-31
94201-12081	1-D13	1-59		1-D8	1-49	95701-08110-08	1-G11	2-89
94201-16120	1-G5	2-77		1-H2	2-103	95701-08120-00	1-D2	1-37
	1-G12	2-91		1-I3	2-136	95701-10030-07	1-G14	2-94
94201-20150	1-F3	2-41	95701-06012-07	1-H16	2-130	95801-06038-07	1-E6	2-15
	1-F5	2-45	95701-06014-00	1-C8	1-17		1-E8	2-18
	1-G12	2-91		1-C13	1-27	95801-06050-08	1-F6	2-47
94201-25280	1-G14	2-94		1-C16	1-32		1-F7	2-49
94301-08100	1-C13	1-27		1-D1	1-35	96001-06010-00	1-E10	2-22
94301-08140	1-C2	1-5		1-G1	2-69		1-H3	2-105
	1-C4	1-8		1-H12	2-123		1-H4	2-107
	1-C9	1-19	95701-06014-07	1-E6	2-15	96001-06010-07	1-F2	2-39
	1-C10	1-20		1-E8	2-18	96001-06012-00	1-F7	2-49
	1-C10	1-21		1-G15	2-97		1-G11	2-89
94301-08160	1-C2	1-5		1-H2	2-103		1-G16	2-99
	1-C4	1-8	95701-06014-08	1-E8	2-18		1-H2	2-103
	1-C4	1-8		1-F4	2-42		1-H9	2-117
	1-D2	1-37		1-F5	2-45	96001-06012-07	1-E6	2-15
94301-12200	1-C2	1-5	95701-06016-00	1-D8	1-49		1-E8	2-19
	1-C4	1-8	95701-06016-07	1-E8	2-19		1-H10	2-119
94302-08100	1-C12	1-25	95701-06018-00	1-C9	1-19	96001-06014-00	1-F2	2-39
	1-C15	1-31		1-D2	1-37		1-G1	2-69
94302-08140	1-D8	1-49		1-D6	1-44	96001-06016-00	1-E10	2-22
94303-05080	1-C12	1-25	95701-06018-07	1-C2	1-5		1-G16	2-99
94303-10160	1-C13	1-27	95701-06020-00	1-C13	1-27		1-H10	2-119
94510-14000	1-D8	1-49		1-H5	2-109		1-H15	2-128
94510-22000	1-D7	1-47	95701-06020-08	1-D14	1-60	96001-06016-07	1-E6	2-15
94511-15000	1-G11	2-89		1-G11	2-89		1-E8	2-19
94540-04010	1-G7	2-81		1-H3	2-105	96001-06018-07	1-H10	2-119
94540-06018	1-H6	2-111		1-H4	2-107		1-H11	2-120
	1-H7	2-112	95701-06025-00	1-D2	1-37	96001-06020-00	1-H12	2-122
94591-25000	1-G12	2-91	95701-06025-07	1-E6	2-15	96001-06022-00	1-C13	1-27
95001-55008-60M	1-G4	2-75		1-E8	2-18		1-D10	1-53
95001-75008-60M	1-G3	2-72	95701-06035-00	1-C14	1-28	96001-06022-07	1-E4	2-11
95002-02100	1-H9	2-117	95701-06040-00	1-C2	1-5		1-E5	2-13
	1-H12	2-123		1-C4	1-9		1-E10	2-22

PART NUMBER INDEX

Part Number	Grid	Page	Part Number	Grid	Page	Part Number	Grid	Page
96001-06025-00	1-D10	1-53	98200-43000	1-H4	2-107			
	1-D11	1-54	98200-66500	1-H2	2-103			
96001-06025-07	1-G4	2-75	99001-08000	1-H8	2-115			
	1-H9	2-117	99003-10000	1-H8	2-115			
96001-06028-07	1-G3	2-72	99003-30000	1-H8	2-115			
96001-06032-07	1-G4	2-75	99003-40000	1-H8	2-115			
96001-06040-00	1-D11	1-54	99006-12000	1-H8	2-115			
96001-06055-00	1-H5	2-109						
96100-62003-00	1-C10	1-21						
96100-62063-00	1-C13	1-27						
96211-07000	1-I2	2-134						
96211-08000	1-G12	2-91						
96220-40080	1-D8	1-49						
96300-06010-00	1-E12	2-26						
96300-06016-00	1-G12	2-91						
96300-08020-00	1-H7	2-112						
96300-08025-00	1-H7	2-112						
96300-08032-00	1-G7	2-81						
96300-08035-00	1-H7	2-112						
	1-H7	2-113						
96300-08040-08	1-H7	2-113						
96300-08045-00	1-G10	2-87						
96300-08045-07	1-E13	2-28						
96300-08050-00	1-H7	2-112						
96300-10025-00	1-H7	2-112						
96300-10050-00	1-H7	2-112						
96400-08032-00	1-G7	2-81						
96400-10065-00	1-H7	2-112						
96500-06010-00	1-E12	2-26						
96600-06018-00	1-E13	2-29						
96600-08020-10	1-D9	1-50						
96700-08020-00	1-E12	2-26						
96700-08020-10	1-E12	2-26						
	1-E12	2-27						
98059-57916	1-C2	1-5						
	1-C4	1-9						
98059-57926	1-C2	1-5						
	1-C4	1-9						
98059-58916	1-C2	1-5						
	1-C4	1-9						
98059-58926	1-C2	1-5						
	1-C4	1-9						
98059-59910	1-C2	1-5						
	1-C4	1-9						
98059-59916	1-C3	1-6						
	1-C4	1-9						
98059-59926	1-C3	1-6						
	1-C4	1-9						
98200-33000	1-H2	2-103						
98200-41000	1-H3	2-105						
	1-H4	2-107						
98200-41500	1-H3	2-105						
	1-H4	2-107						
98200-42000	1-H3	2-105						
	1-H4	2-107						
98200-43000	1-H3	2-105						

Description

Index

DESCRIPTION INDEX

Description	Grid	Page	Ref	Description	Grid	Page	Ref
(A)				BEARING A, CRANKSHAFT (BLUE)	1-D4	1-41	13
ABS CONTROL UNIT	1-H4	2-107	11	BEARING A, CRANKSHAFT CENTER (BLUE)	1-D4	1-41	14
ADJUSTER ASSY., WINDSCREEN	1-H10	2-118	6	BEARING A, L. CONNECTING ROD (BLUE)	1-D4	1-41	11
ALTERNATOR ASSY.	1-C14	1-29	4	BEARING A, NEEDLE (18X27X26.8)	1-D5	1-43	10
ARM A, POCKET LID	1-H13	2-124	2	BEARING A, R. CONNECTING ROD (BLUE)	1-D4	1-40	10
ARM B, POCKET LID	1-H13	2-124	3	BEARING B, CRANKSHAFT (BLACK)	1-D4	1-41	13
ARM, GEARSHIFT	1-G11	2-88	3	BEARING B, CRANKSHAFT CENTER (BLACK)	1-D4	1-41	14
ARM, GEARSHIFT DRUM STOPPER	1-D8	1-48	10	BEARING B, L. CONNECTING ROD (BLACK)	1-D4	1-41	11
ARM, L. STEP	1-G12	2-90	9	BEARING B, NEEDLE (18X27X26.8)	1-D5	1-43	10
ARM, R. STEP	1-G12	2-90	4		1-D6	1-44	10
AXLE, FR. WHEEL	1-F2	2-38	5	BEARING B, R. CONNECTING ROD (BLACK)	1-D4	1-40	10
AXLE, RR. WHEEL	1-F11	2-56	2	BEARING, BALL (16005) (NTN CORP.)	1-D8	1-49	24
(B)				BEARING C, CRANKSHAFT (BROWN)	1-D4	1-41	13
BAG, OWNER'S MANUAL	1-H8	2-114	2	BEARING C, CRANKSHAFT CENTER (BROWN)	1-D4	1-41	14
BAG, TOOL	1-H8	2-114	4	BEARING C, L. CONNECTING ROD (BROWN)	1-D4	1-41	11
BALL, STEEL (#7) (7/32)	1-I2	2-134	34	BEARING C, NEEDLE (18X27X26.8)	1-D6	1-44	10
BALL, STEEL (#8) (1/4)	1-G12	2-91	27	BEARING C, R. CONNECTING ROD (BROWN)	1-D4	1-40	10
BAND A, INSULATOR	1-C2	1-4	6	BEARING D, CRANKSHAFT CENTER (GREEN)	1-D4	1-41	14
	1-C3	1-7	6	BEARING D, CRANKSHAFT (GREEN)	1-D4	1-41	13
BAND B, INSULATOR	1-C2	1-4	7	BEARING D, L. CONNECTING ROD (GREEN)	1-D4	1-41	11
	1-C3	1-7	7	BEARING D, NEEDLE (18X27X26.8)	1-D6	1-44	10
BAND, BATTERY	1-H2	2-103	13	BEARING D, R. CONNECTING ROD (GREEN)	1-D4	1-40	10
BAND F, BATTERY	1-G7	2-81	40	BEARING E, CRANKSHAFT CENTER (YELLOW)	1-D5	1-42	14
BAND, HARNESS	1-H16	2-130	11	BEARING E, CRANKSHAFT (YELLOW)	1-D4	1-41	13
BAND, L. MUFFLER	1-G10	2-86	6	BEARING E, L. CONNECTING ROD (YELLOW)	1-D4	1-41	11
BAND, R. FR. MUFFLER	1-G10	2-86	7	BEARING E, NEEDLE (18X27X26.8)	1-D6	1-44	10
BAND, R. MUFFLER	1-G10	2-86	5	BEARING E, R. CONNECTING ROD (YELLOW)	1-D4	1-41	10
BAND, SUCTION HOSE	1-H6	2-111	25	BEARING, FR.	1-C14	1-29	8
BAND, UNIT	1-G16	2-98	9	BEARING, HEAD PIPE (LOWER)	1-E13	2-28	8
BAND, WIRE	1-D1	1-35	27	BEARING, HEAD PIPE (UPPER)	1-E13	2-28	7
	1-E3	2-8	8	BEARING, NEEDLE (14X20X20)	1-E15	2-32	25
	1-E10	2-22	27	BEARING, NEEDLE (14X22X16)	1-C13	1-27	11
	1-E12	2-26	30	BEARING, NEEDLE (22X26X11)	1-D7	1-47	29
	1-G2	2-71	23	BEARING, NEEDLE (36X41X18.3)	1-C12	1-25	14
	1-H3	2-105	12	BEARING, NEEDLE (KOYO)	1-G15	2-96	13
	1-H3	2-105	13	BEARING, RADIAL BALL (16003)	1-C11	1-23	23
	1-H3	2-105	14	BEARING, RADIAL BALL (20X47X20.6) (TOYO)	1-F11	2-57	20
	1-H3	2-105	22	BEARING, RADIAL BALL (22X52X15)	1-D8	1-49	23
	1-H4	2-107	14	BEARING, RADIAL BALL (28X62X16LU)	1-C16	1-32	5
	1-H4	2-107	15	BEARING, RADIAL BALL (31X65X16)	1-D7	1-47	27
	1-H4	2-107	16	BEARING, RADIAL BALL (35X62X19)	1-F14	2-63	26
	1-H4	2-107	24		1-G1	2-68	30
BAND, WIRE HARNESS	1-H7	2-113	45	BEARING, RADIAL BALL (6200)	1-C10	1-21	11
	1-H12	2-122	13	BEARING, RADIAL BALL (6204UU)	1-F11	2-57	19
BAR, L. PILLION STEP	1-G12	2-91	14	BEARING, RADIAL BALL (6205UU)	1-F2	2-39	20
BAR, R. PILLION STEP	1-G12	2-91	13	BEARING, RADIAL BALL (6206)	1-C13	1-27	28
BAR, SEAT ADJUSTER	1-G5	2-76	9	BEARING, RADIAL BALL (65X100X11) (TOYO)	1-F14	2-63	25
BAR, SIDE STAND	1-G13	2-93	9		1-F16	2-67	29
BASE, CONTACT	1-E11	2-24	5		1-G1	2-68	29
BASE, FUNNEL	1-G9	2-84	4	BEARING, RADIAL BALL (6905RS)	1-F11	2-57	18
BATTERY (YTZ14S) (YUASA)	1-H2	2-102	1	BEARING, RADIAL BALL (QJ3/28V1)	1-F14	2-63	27
					1-G1	2-68	31
				BEARING, RR.	1-C14	1-29	7
				BEARING SET, NEEDLE	1-F12	2-59	1
					1-F15	2-64	1

DESCRIPTION INDEX

Description	Grid	Page	Ref	Description	Grid	Page	Ref
BEARING, SPECIAL RADIAL BALL (63/22)	1-D7	1-47	28	BOLT, FLANGE (6X12)	1-D2	1-37	23
	1-D8	1-49	22		1-D8	1-49	28
BEARING, SPECIAL RADIAL BALL (63/28)	1-D8	1-49	21		1-D11	1-55	3
BEARING, TAPER ROLLER (25X47X15)	1-G15	2-96	12		1-E6	2-15	20
BODY ASSY., THROTTLE	1-D11	1-55	10		1-E6	2-15	29
BODY ASSY., THROTTLE (GQ35B A)	1-D11	1-55	9		1-E7	2-17	27
BODY, L. SADDLEBAG *2TN266* (BLACK/MAT BLACK)	1-I1	2-133	17		1-E8	2-19	42
BODY, L. SADDLEBAG *NH1* (BLACK)	1-I1	2-132	17		1-F5	2-44	19
BODY, R. SADDLEBAG *2TN266* (BLACK/MAT BLACK)	1-H16	2-131	6		1-F7	2-49	25
BODY, R. SADDLEBAG *NH1* (BLACK)	1-H16	2-131	6		1-F8	2-50	8
BOLT	1-C15	1-30	20		1-F9	2-52	9
BOLT A, MOUNTING BRACKET	1-C12	1-24	11		1-G11	2-89	17
	1-C12	1-25	11		1-G16	2-99	21
BOLT A, PIN (NISSIN)	1-E15	2-33	11		1-H2	2-103	22
	1-E16	2-34	11		1-H2	2-103	23
	1-F1	2-36	11		1-H9	2-117	26
	1-F1	2-37	11		1-H10	2-119	26
BOLT, BANJO (12MM)	1-G4	2-75	16	BOLT, FLANGE (6X12) (CT200)	1-F14	2-62	19
BOLT, BRAKE STOPPER	1-G15	2-96	10		1-F16	2-67	23
BOLT, CAP (8X16)	1-G12	2-91	20	BOLT, FLANGE (6X14)	1-C8	1-17	19
BOLT, CONNECTING ROD	1-D4	1-40	7		1-C13	1-27	20
BOLT, DISK (6X17)	1-F2	2-39	17		1-C16	1-32	6
BOLT, DISK (8X24)	1-F11	2-57	13		1-D1	1-35	24
BOLT, DRAIN PLUG (14MM)	1-D1	1-35	22		1-E6	2-15	25
BOLT, ENGINE MOUNTING (10X328)	1-H6	2-111	20		1-E8	2-18	36
BOLT, FLANGE (10X25)	1-H7	2-112	33		1-E8	2-18	37
BOLT, FLANGE (10X30)	1-G14	2-94	21		1-F2	2-39	16
BOLT, FLANGE (10X35)	1-F14	2-63	22		1-F4	2-42	30
	1-F16	2-67	26		1-F5	2-45	29
BOLT, FLANGE (10X50)	1-H7	2-112	34		1-G1	2-69	41
BOLT, FLANGE (10X65)	1-H7	2-112	36		1-G1	2-69	42
BOLT, FLANGE (10X66)	1-G15	2-97	5		1-G1	2-69	43
BOLT, FLANGE (10X87)	1-D2	1-37	12		1-G15	2-97	8
BOLT, FLANGE (12X30)	1-C11	1-23	17		1-H2	2-103	23
	1-C12	1-24	10	BOLT, FLANGE (6X16)	1-H12	2-123	19
BOLT, FLANGE (12X36)	1-H6	2-111	21		1-D8	1-49	29
BOLT, FLANGE (12X67)	1-H7	2-112	35		1-E6	2-15	30
BOLT, FLANGE (6MM)	1-H9	2-117	18		1-E8	2-19	43
BOLT, FLANGE (6X10)	1-C1	1-3	16		1-E8	2-19	45
	1-D1	1-35	26		1-E10	2-22	33
	1-E8	2-18	35		1-G12	2-91	28
	1-E10	2-22	32		1-G16	2-99	22
	1-E12	2-26	34		1-H10	2-119	30
	1-F2	2-39	22		1-H15	2-128	34
	1-F3	2-41	29	BOLT, FLANGE (6X18)	1-C2	1-5	22
	1-F4	2-42	29		1-C9	1-19	13
	1-F5	2-45	28		1-D2	1-37	24
	1-G5	2-77	18		1-D6	1-44	12
	1-H3	2-105	17		1-H10	2-119	31
	1-H4	2-107	19		1-H11	2-120	31
	1-H7	2-113	55	BOLT, FLANGE (6X20)	1-C1	1-3	15
BOLT, FLANGE (6X10) (NSHF)	1-C8	1-16	10		1-C13	1-27	21
BOLT, FLANGE (6X115)	1-G3	2-72	33		1-D14	1-60	7
					1-G11	2-89	20

DESCRIPTION INDEX

Description	Grid	Page	Ref	Description	Grid	Page	Ref
BOLT, FLANGE (6X20)	1-H3	2-105	16	BOLT, FLANGE (6X55)	1-H5	2-109	12
	1-H4	2-107	18	BOLT, FLANGE (6X80)	1-D1	1-35	25
	1-H5	2-109	11	BOLT, FLANGE (8X110)	1-G11	2-89	21
	1-H12	2-122	11	BOLT, FLANGE (8X120)	1-D2	1-37	28
BOLT, FLANGE (6X22)	1-C13	1-27	27	BOLT, FLANGE (8X18)	1-E11	2-25	23
	1-D10	1-53	28	BOLT, FLANGE (8X20)	1-H7	2-112	29
	1-E4	2-11	22	BOLT, FLANGE (8X25)	1-C16	1-32	7
	1-E5	2-13	22		1-D6	1-44	13
	1-E10	2-22	34		1-H7	2-112	30
	1-E10	2-23	34	BOLT, FLANGE (8X27)	1-F14	2-63	21
BOLT, FLANGE (6X25)	1-D2	1-37	25		1-F16	2-67	25
	1-D10	1-53	29	BOLT, FLANGE (8X28)	1-C13	1-27	22
	1-D11	1-54	29	BOLT, FLANGE (8X32)	1-C13	1-27	23
	1-E6	2-15	26		1-D8	1-49	16
	1-E8	2-18	38		1-E16	2-34	20
	1-F3	2-41	19		1-G7	2-81	41
	1-F5	2-44	20		1-G7	2-81	42
	1-G4	2-75	25	BOLT, FLANGE (8X35)	1-G10	2-87	16
	1-H9	2-117	27		1-H7	2-112	31
BOLT, FLANGE (6X25) (NSHF)	1-C8	1-16	11		1-H7	2-113	56
	1-C8	1-17	11	BOLT, FLANGE (8X40)	1-C13	1-27	24
BOLT, FLANGE (6X28)	1-E4	2-11	15		1-D8	1-49	17
	1-E5	2-13	15		1-E11	2-25	24
	1-E6	2-15	21		1-H7	2-113	47
	1-E7	2-17	28		1-H7	2-113	56
	1-F6	2-47	11	BOLT, FLANGE (8X45)	1-E13	2-28	9
	1-F7	2-49	17		1-E14	2-31	22
	1-G3	2-72	34		1-E16	2-35	21
BOLT, FLANGE (6X28) (NSHF)	1-C10	1-20	7		1-F1	2-37	25
	1-D1	1-34	16		1-F10	2-55	19
BOLT, FLANGE (6X32)	1-G4	2-75	26		1-G10	2-87	24
BOLT, FLANGE (6X35)	1-C14	1-28	9	BOLT, FLANGE (8X47)	1-H6	2-111	23
BOLT, FLANGE (6X38)	1-E6	2-15	28	BOLT, FLANGE (8X50)	1-H7	2-112	32
	1-E8	2-18	41	BOLT, FLANGE (8X60)	1-D2	1-37	26
	1-F8	2-50	9	BOLT, FLANGE (8X65)	1-C15	1-31	28
	1-F9	2-52	10	BOLT, FLANGE (8X75)	1-C13	1-27	25
	1-F9	2-53	10	BOLT, FLANGE (8X80)	1-D2	1-37	27
BOLT, FLANGE (6X39.5)	1-C2	1-5	14	BOLT, FLANGE (8X85)	1-C13	1-27	26
	1-C4	1-8	14		1-C15	1-31	29
BOLT, FLANGE (6X40)	1-C2	1-5	23	BOLT, FLANGE (8X90)	1-C15	1-31	30
	1-C4	1-9	21	BOLT, FLANGE SOCKET (8X32)	1-F1	2-37	24
	1-D11	1-54	30	BOLT, FR. AXLE	1-F2	2-39	19
	1-E8	2-18	39	BOLT, FR. FORK	1-E14	2-31	17
BOLT, FLANGE (6X40) (NSHF)	1-C9	1-18	5	BOLT, HEAD COVER	1-C1	1-3	13
	1-C10	1-20	8		1-C1	1-3	14
BOLT, FLANGE (6X45)	1-E6	2-15	27	BOLT, HEX. (4X10)	1-G12	2-91	19
	1-E8	2-18	40	BOLT, HEX. (6X12)	1-F14	2-63	34
	1-F8	2-50	10		1-G1	2-68	38
	1-F8	2-51	10		1-H10	2-119	26
	1-F9	2-53	11	BOLT, HEX. (6X14)	1-H10	2-119	26
	1-H16	2-130	13	BOLT, HEX. (6X20)	1-H5	2-108	10
BOLT, FLANGE (6X48)	1-C2	1-5	13	BOLT, L. SWINGARM PIVOT	1-G14	2-95	9
	1-C4	1-8	13		1-G15	2-96	9
BOLT, FLANGE (6X50)	1-F6	2-47	16	BOLT, MAIN STAND PIVOT (6X15)	1-G14	2-94	15
	1-F7	2-49	24	BOLT, MAIN STEP RUBBER SETTING	1-G12	2-91	17

DESCRIPTION INDEX

Description	Grid	Page	Ref	Description	Grid	Page	Ref
BOLT, MIDDLE COWL	1-E7	2-17	29	BOLT, TIE ROD	1-G11	2-89	12
	1-H14	2-127	26	BOLT, TORX (5X10)	1-F2	2-39	18
BOLT, OIL (10X10.6)	1-E7	2-17	30	BOLT, TORX (5X14)	1-F11	2-57	14
	1-F7	2-49	18	BOLT, TORX (6MM)	1-C12	1-25	12
BOLT, OIL (10X22)	1-E4	2-11	16	BOLT, UBS (7X15)	1-C8	1-17	14
	1-E5	2-13	16	BOLT-WASHER (10X105)	1-C2	1-4	11
	1-E6	2-15	22		1-C2	1-5	11
	1-E8	2-18	31		1-C3	1-7	11
	1-E9	2-21	23		1-C4	1-8	11
	1-F8	2-51	11	BOLT-WASHER (10X90)	1-C2	1-5	12
	1-F9	2-53	12		1-C4	1-8	12
BOLT, OIL (10X34)	1-E9	2-21	22	BOLT-WASHER (6X12)	1-C8	1-17	13
	1-F3	2-41	20		1-D1	1-34	18
	1-F5	2-44	21	BOLT-WASHER (6X14)	1-H9	2-117	21
BOLT, OIL COOLER	1-D1	1-34	17	BOLT-WASHER (6X16)	1-E8	2-18	34
BOLT, ONE-WAY (8MM)	1-E11	2-25	21	BOLT-WASHER (6X25)	1-I2	2-135	8
BOLT, PIN	1-F10	2-55	13	BOLT-WASHER (6X28)	1-G10	2-87	19
BOLT, PLUG (14MM)	1-F14	2-63	20	BOLT-WASHER (6X35)	1-C11	1-23	18
	1-F16	2-67	24	BOOT	1-E4	2-10	4
BOLT, R. HANDLEBAR PIVOT	1-E4	2-11	14		1-E5	2-12	4
	1-E5	2-13	14		1-E9	2-21	12
	1-E9	2-21	21		1-F1	2-36	6
BOLT, R. SWINGARM PIVOT	1-G14	2-95	8		1-F3	2-40	4
BOLT, RECESSED (5X28)	1-C2	1-4	10		1-F4	2-43	5
	1-C3	1-7	10	BOOT B	1-E16	2-34	14
BOLT, SEALING (14MM)	1-D2	1-36	3		1-F1	2-37	14
BOLT, SETTING	1-C14	1-28	3		1-F10	2-55	16
BOLT, SIDE SHELTER SETTING	1-C1	1-3	17	BOOT, JOINT	1-G14	2-95	5
BOLT, SIDE STAND PIVOT	1-G14	2-94	14	BOX ASSY., REVERSE FUSE	1-H2	2-103	11
BOLT, SOCKET (10X23)	1-G12	2-91	16	BRACKET B, SADDLEBAG COVER LOCK	1-I1	2-132	12
BOLT, SOCKET (10X42)	1-H15	2-129	8	BRACKET, FR. ABS MODULATOR	1-E7	2-17	17
BOLT, SOCKET (10X55)	1-G15	2-97	4	BRACKET, L. SEAT ADJUSTER	1-G5	2-77	13
BOLT, SOCKET (12X28.5)	1-H6	2-111	22	BRACKET, L. WINDSCREEN	1-H10	2-119	12
BOLT, SOCKET (12X34)	1-G12	2-91	18	BRACKET, NUMBER PLATE	1-G16	2-98	11
BOLT, SOCKET (4X21)	1-G2	2-71	20		1-G16	2-99	11
BOLT, SOCKET (5X9)	1-H2	2-103	17	BRACKET, R. SEAT ADJUSTER	1-G5	2-77	11
BOLT, SOCKET (6X18)	1-E13	2-29	7	BRACKET, R. WINDSCREEN	1-H10	2-118	8
BOLT, SOCKET (6X95)	1-E11	2-25	25	BRACKET, RR. ABS MODULATOR	1-F7	2-48	10
BOLT, SOCKET (8MM)	1-E15	2-32	23		1-F7	2-49	10
BOLT, SOCKET (8MM) (SHOWA)	1-E15	2-32	23	BRACKET, SIDE STAND	1-G13	2-93	10
BOLT, SOCKET (8X20)	1-D9	1-50	31	BRACKET, STARTER MAGNETIC SWITCH	1-H2	2-103	15
	1-E12	2-26	35	BRACKET SUB-ASSY., L. FR.	1-F1	2-36	2
	1-E12	2-27	35	BRACKET SUB-ASSY., R. FR.	1-E15	2-33	3
BOLT, SOCKET (8X22)	1-G6	2-79	25		1-E16	2-34	19
BOLT, SOCKET (8X45)	1-E14	2-31	22	BRACKET SUB-ASSY., RR.	1-F10	2-54	9
	1-F1	2-37	23	BRIDGE, FORK TOP	1-E11	2-25	17
BOLT, SPECIAL (6X16)	1-G14	2-94	16	BULB (12V5W) (ECE) (STANLEY)	1-E1	2-4	5
BOLT, SPECIAL (8MM)	1-E11	2-25	19	BULB, HEADLIGHT (12V45/45W)	1-E1	2-4	6
BOLT, SPECIAL FLANGE (7X13)	1-C8	1-17	15	BULB, HEADLIGHT (12V45/45W) (STANLEY)	1-E1	2-4	6
BOLT, STATOR COVER SETTING	1-E6	2-15	19	BULB, WEDGE BASE (12V21/5W) (ECE)	1-H1	2-100	3
	1-E7	2-17	26		1-H1	2-101	4
BOLT, STUD	1-C15	1-30	14	BULK HOSE, FUEL (5.5X8000) (5.5X300)	1-G4	2-75	23
BOLT, STUD (8X24)	1-C2	1-5	15	BULK HOSE, FUEL (7.5X8000) (7.3X700)	1-G3	2-72	31
	1-C4	1-8	15	BULK HOSE, VACUUM (3.5X1000) (3.5X110)	1-D12	1-57	27
BOLT, TENSIONER PIVOT	1-C8	1-17	12	BULK HOSE, VACUUM (3.5X1000) (3.5X150)	1-D12	1-57	28
				BULK HOSE, VACUUM (3.5X1000) (3.5X40)	1-D12	1-57	25

DESCRIPTION INDEX

Description	Grid	Page	Ref	Description	Grid	Page	Ref
BULK HOSE, VACUUM (3.5X1000) (3.5X90)	1-D12	1-57	26	CAP, VALVE ADJ.	1-F12	2-59	2
BULK HOSE, VACUUM (4.5X1000) (4.5X500)	1-I2	2-135	9		1-F15	2-64	2
BULK HOSE, VACUUM (5.5X3000) (5.3X990)	1-H9	2-117	25	CASE ASSY. (LOWER)	1-E2	2-6	2
BULK HOSE, VACUUM (5.5X3000) (5.5X370)	1-H9	2-117	24	CASE ASSY. (UPPER)	1-E2	2-6	3
BULK HOSE, VACUUM (8X1000) (8X400)	1-I3	2-136	11	CASE, L. (LOWER)	1-E14	2-31	21
	1-I3	2-136	13	CASE, R. (LOWER)	1-E14	2-31	11
BUSH	1-E9	2-20	3	CASE, RR.	1-C13	1-26	1
BUSH, GUIDE	1-E14	2-31	9	CASE SUB-ASSY., FINAL GEAR	1-F12	2-59	7
BUSH, INSULATION	1-C14	1-29	9		1-F15	2-65	10
BUSH, PIN	1-E16	2-34	13	CASE, THERMOSTAT	1-D10	1-52	4
	1-F1	2-37	13	CENTER, CLUTCH	1-C11	1-22	4
	1-F10	2-55	15	CENTER, SHIFT DRUM	1-D8	1-48	9
BUSH, SLIDER	1-E14	2-31	10	CHAIN, CAM (138L) (BORG WARNER)	1-C8	1-16	3
				CHAIN, WATER PUMP DRIVE	1-C10	1-20	4
(C)					1-D1	1-34	14
CABLE A, THROTTLE	1-E3	2-8	1	CIRCLIP	1-E4	2-11	19
CABLE B, THROTTLE	1-E3	2-8	2		1-E5	2-13	19
CABLE, BATTERY GROUND	1-H2	2-102	8	CIRCLIP (28MM)	1-D7	1-47	25
CABLE, FUEL TANK STOPPER	1-G2	2-71	11	CIRCLIP (30MM)	1-D7	1-47	26
CABLE, SEAT LOCK	1-G6	2-78	8	CIRCLIP (INNER) (188)	1-F11	2-57	17
CABLE, STARTER BATTERY	1-H2	2-102	3	CIRCLIP (INNER) (18MM)	1-E10	2-22	26
CABLE, STARTER MOTOR	1-H2	2-102	5	CIRCLIP, MASTER CYLINDER	1-F1	2-37	22
CALIPER SUB-ASSY., L. FR.	1-F1	2-37	15		1-F3	2-41	16
CALIPER SUB-ASSY., R. FR.	1-E16	2-34	18		1-F5	2-44	16
CALIPER SUB-ASSY., RR.	1-F10	2-54	7	CIRCLIP (OUTER) (14MM)	1-D8	1-49	27
CAMSHAFT, L. EX.	1-C5	1-10	5	CIRCLIP (OUTER) (15MM)	1-G11	2-89	19
CAMSHAFT, L. IN.	1-C5	1-10	3	CIRCLIP (OUTER) (22MM)	1-D7	1-47	30
CAMSHAFT, R. EX.	1-C5	1-10	4	CIRCLIP, PISTON	1-F3	2-41	22
CAMSHAFT, R. IN.	1-C5	1-10	2		1-F5	2-45	23
CANISTER	1-I2	2-135	2	CLAMP	1-F2	2-39	13
CAP (14MM)	1-C9	1-18	6	CLAMP A, CLUTCH PIPE	1-E9	2-20	6
CAP (30MM)	1-C9	1-18	7	CLAMP A, DRAIN HOSE	1-C16	1-33	2
CAP ASSY., NOISE SUPPRESSOR	1-H5	2-108	4	CLAMP A, TUBE	1-G3	2-72	39
CAP, BLEEDER	1-E9	2-21	11		1-G3	2-73	39
	1-E15	2-33	6	CLAMP B, DRAIN HOSE	1-C13	1-26	2
	1-F1	2-36	5	CLAMP, BRAKE HOSE	1-E6	2-15	14
	1-F6	2-46	6		1-E6	2-15	15
	1-F7	2-48	9		1-E7	2-17	19
	1-F10	2-54	11	CLAMP, BRAKE PIPE	1-E7	2-17	20
	1-F10	2-55	11		1-F6	2-47	14
CAP, BLEEDER SCREW	1-E9	2-21	11	CLAMP, BRAKE PIPE (6.8X2)	1-F7	2-49	22
CAP, BREATHER	1-F12	2-59	5		1-E6	2-15	24
	1-F15	2-64	8	CLAMP, BRAKE PIPE (6.8X2)	1-E8	2-18	33
CAP, FORK PIPE (SHOWA)	1-E14	2-31	15	CLAMP, BREATHER HOSE	1-D10	1-53	12
CAP, FUEL FILLER	1-G2	2-71	13	CLAMP C, CLUTCH PIPE	1-E9	2-20	7
CAP, MASTER CYLINDER (NISSIN)	1-E4	2-10	7	CLAMP, FR. BRAKE HOSE	1-E6	2-15	12
	1-E5	2-12	7		1-E7	2-17	16
	1-E9	2-21	14	CLAMP, FUEL HOSE (D10.5)	1-D10	1-53	26
CAP, OIL CUP	1-F3	2-40	8		1-G2	2-71	27
	1-F4	2-43	9	CLAMP, HOSE (22-29)	1-D10	1-53	17
CAP, OIL FILLER	1-C1	1-2	10	CLAMP, HOSE (25MM)	1-D10	1-52	6
CAP, RADIATOR	1-H9	2-116	7	CLAMP, HOSE (30-37)	1-H9	2-117	17
CAP, RESERVE TANK	1-H9	2-117	12	CLAMP, MASTER CYLINDER OIL HOSE	1-F3	2-40	9
CAP, SOCKET BOLT (8MM)	1-E12	2-26	32		1-F3	2-40	10
					1-F4	2-43	10
					1-F4	2-43	11

DESCRIPTION INDEX

Description	Grid	Page	Ref	Description	Grid	Page	Ref
CLAMP, MASTER CYLINDER OIL HOSE	1-F5	2-44	11	COIL, IGNITION	1-H5	2-108	1
CLAMP, PIPE	1-F2	2-38	1	COLLAR	1-E1	2-4	8
	1-F9	2-52	1	COLLAR (16X18X10)	1-D2	1-36	4
CLAMP, RADIATOR HOSE	1-D10	1-52	10	COLLAR (28X13)	1-D7	1-46	14
	1-D10	1-53	10	COLLAR (30X11.2)	1-D6	1-45	6
CLAMP, RR. BRAKE PIPE	1-E7	2-16	2	COLLAR (5.0)	1-G12	2-90	5
	1-F8	2-50	1	COLLAR (6X14.8)	1-G10	2-87	18
	1-F9	2-52	2	COLLAR (6X30)	1-H15	2-129	1
CLAMP, SPEED SENSOR CORD	1-F2	2-39	14	COLLAR (7.5X6.8)	1-H13	2-125	15
CLAMP, TUBE (D12)	1-G4	2-75	20	COLLAR (8.3)	1-G6	2-78	4
CLAMP, TUBE (D23.6)	1-G2	2-71	26	COLLAR A, RR. AXLE DISTANCE	1-F11	2-56	6
CLIP (2X50)	1-G12	2-91	25	COLLAR A, TAILLIGHT	1-H1	2-101	1
CLIP (4X50)	1-E12	2-26	29	COLLAR B, RR. AXLE DISTANCE	1-F14	2-62	18
CLIP B, HARNESS	1-H2	2-102	2		1-F14	2-63	37
CLIP B, TUBE	1-D2	1-36	6		1-F16	2-67	21
	1-F15	2-64	3		1-G1	2-69	44
CLIP, BUMPER SEAL	1-H14	2-127	24	COLLAR, CHAIN GUIDE	1-H5	2-108	9
CLIP C, BRAKE PIPE	1-E9	2-21	19	COLLAR, CLUTCH (OUTER)	1-C11	1-22	3
	1-F6	2-46	10	COLLAR, DISTANCE	1-D5	1-43	4
	1-F6	2-47	10	COLLAR, DISTANCE (8.1X12X9)	1-G7	2-80	33
	1-F7	2-49	14	COLLAR, FR. AXLE DISTANCE	1-F2	2-39	9
CLIP, CABLE (15MM)	1-H15	2-129	9	COLLAR, FR. ENGINE HANGER	1-H6	2-110	3
CLIP, CABLE (20MM)	1-H2	2-103	21	COLLAR, FR. ENGINE (LOWER)	1-H7	2-113	51
	1-H15	2-129	10	COLLAR, FR. FENDER	1-G4	2-75	13
CLIP, CORD	1-E8	2-19	46		1-I2	2-135	7
	1-E10	2-22	29	COLLAR, FR. FORK (OUTER)	1-C9	1-18	4
	1-H7	2-113	53	COLLAR, GEARSHIFT PEDAL PIVOT	1-G11	2-88	1
CLIP, DRAIN TUBE	1-G9	2-84	1	COLLAR, HANDLE SETTING	1-H6	2-111	14
CLIP, HARNESS BAND (15)	1-H2	2-103	20	COLLAR, L. CALIPER BRACKET	1-F1	2-37	19
CLIP, HEATER HOSE (30MM)	1-G2	2-71	24	COLLAR, L. FR. WHEEL SIDE	1-F2	2-38	7
CLIP, INJECTOR	1-D12	1-56	12		1-F2	2-39	7
CLIP, PANEL FIXING *NH1* (BLACK)	1-H15	2-128	31	COLLAR, L. RR. ENGINE HANGER CENTER	1-H6	2-110	6
CLIP, PISTON PIN (19MM)	1-D3	1-39	5	COLLAR, MUFFLER SETTING	1-G10	2-87	12
	1-D4	1-40	5	COLLAR, PIVOT	1-E14	2-30	1
CLIP, SPLASH	1-G16	2-99	16	COLLAR, R. FR. WHEEL SIDE	1-F2	2-38	6
	1-H10	2-119	25	COLLAR, RADIATOR MOUNTING	1-H9	2-116	10
	1-H15	2-128	28	COLLAR, REFLECTOR	1-G6	2-79	15
CLIP, SUB-TANK HOSE	1-D14	1-60	1	COLLAR, RIVETING	1-G2	2-71	17
CLIP, SUB-WIRE	1-G2	2-71	15	COLLAR, RR. AXLE DISTANCE	1-F11	2-56	5
CLIP, THROTTLE WIRE	1-E9	2-21	19	COLLAR, RR. COWL SETTING	1-G8	2-82	3
CLIP, TUBE	1-D10	1-52	2	COLLAR, RR. ENGINE (LOWER)	1-H6	2-110	5
	1-G4	2-75	24	COLLAR, RR. ENGINE (UPPER)	1-H6	2-110	4
CLIP, TUBE (B10)	1-H9	2-117	23	COLLAR, RR. MUDGUARD	1-G10	2-87	28
	1-H12	2-123	20	COLLAR, RR. WHEEL SIDE	1-F11	2-56	3
CLIP, TUBE (B12)	1-G3	2-72	32	COLLAR, SADDLEBAG HOLDER PIVOT	1-G6	2-79	28
CLIP, TUBE (D12.5)	1-D10	1-53	27	COLLAR, SETTING	1-G2	2-71	18
CLIP, WIRE	1-E10	2-22	29	COLLAR, SHOCK CONNECTING ROD	1-G14	2-95	7
	1-F6	2-47	15	COLLAR, SIDE COVER	1-H10	2-118	1
	1-F7	2-49	23	COLLAR, SPLINE (28X13.5)	1-D7	1-46	12
	1-H3	2-105	15	COLLAR, SPLINE (30X11)	1-D6	1-45	9
	1-H4	2-107	17	COLLAR, SPRING	1-E14	2-30	5
CLUTCH, ONE-WAY	1-C12	1-24	5	COLLAR, TAILLIGHT SETTING	1-E7	2-17	25
CLUTCH OUTER	1-C11	1-22	2	COLLAR, TANK SETTING	1-G2	2-71	10
CLUTCH OUTER, STARTING	1-C12	1-24	4	COLLAR, TOP BRIDGE	1-G6	2-78	5
	1-C12	1-24	7	CONNECTOR, GROUND	1-D10	1-53	21

DESCRIPTION INDEX

Description	Grid	Page	Ref	Description	Grid	Page	Ref
CONNECTOR (NISSIN)	1-F3	2-40	3	COVER, R. WINDSCREEN BRACKET	1-H10	2-119	14
	1-F4	2-43	4	COVER, REED VALVE	1-C1	1-2	5
COOLER, OIL	1-D1	1-34	13	COVER, RR. END	1-C14	1-29	11
COTTER, VALVE	1-C5	1-11	12		1-C15	1-30	11
COUNTERSHAFT	1-D6	1-45	2	COVER, RR. STOP SWITCH	1-G11	2-88	11
COVER, AIR CLEANER	1-G9	2-84	3		1-G11	2-89	11
COVER ASSY., L. CYLINDER HEAD	1-C1	1-2	4	COVER, RUBBER	1-E1	2-4	2
COVER ASSY., R. CYLINDER HEAD	1-C1	1-2	2	COVER, STARTER MAGNETIC TERMINAL	1-H2	2-102	4
COVER, BATTERY	1-H2	2-103	14	COVER, STARTER MOTOR TERMINAL	1-H2	2-102	6
COVER, BATTERY TERMINAL	1-H2	2-102	7	COVER SUB-ASSY., FINAL GEAR	1-F12	2-59	8
COVER, BEARING	1-C15	1-30	12		1-F15	2-65	11
	1-C15	1-31	31	COVER, THERMOSTAT	1-D10	1-52	5
COVER, COMBINATION SWITCH	1-E11	2-24	6	COVER, WATER PUMP	1-C10	1-20	3
COVER, DUST	1-G11	2-88	5	COVER, WINDSCREEN	1-H10	2-118	5
COVER, FR. CRANKCASE	1-C9	1-18	1	COVER, WINDSCREEN ADJUSTER	1-H10	2-119	13
COVER, FUSE BOX	1-H2	2-103	12	COWL, L. (INNER)	1-H14	2-127	17
COVER, GRAB RAIL CENTER	1-G6	2-79	14	COWL, L. (LOWER)	1-H14	2-127	14
COVER, HANDLE *NH295M* (SPARKLING SILVER METALLIC)	1-E11	2-25	15	COWL (LOWER) (INNER)	1-H14	2-127	15
COVER, L. ENGINE GUARD	1-H14	2-126	4	COWL, R. (INNER)	1-H14	2-127	16
COVER, L. MIRROR *NH478M* (TOWER SILVER METALLIC)	1-H12	2-122	9	COWL, R. (LOWER)	1-H14	2-127	12
COVER, L. MIRROR *PB255P* (PEARL CORONADO BLUE)	1-H12	2-122	9	COWL SET, L. MIDDLE (TYPE1) (WL)	1-H14	2-127	11
COVER, L. OVER HEAD	1-C1	1-2	8	COWL SET, L. MIDDLE (TYPE2) (WL)	1-H14	2-127	11
COVER, L. SADDLEBAG LOCK *2TN266* (BLACK/MAT BLACK)	1-I1	2-133	19	COWL SET, R. MIDDLE (TYPE1) (WL)	1-H14	2-126	7
COVER, L. SADDLEBAG LOCK *NH1* (BLACK)	1-I1	2-133	19	COWL SET, R. MIDDLE (TYPE2) (WL)	1-H14	2-126	7
COVER, L. SADDLEBAG *NH478M* (TOWER SILVER METALLIC)	1-I1	2-133	18	COWL SET, RR. *PB255P* (WL) (PEARL CORONADO BLUE)	1-G8	2-82	2
COVER, L. SADDLEBAG *PB255P* (PEARL CORONADO BLUE)	1-I1	2-133	18	COWL SET, RR. (TYPE2) (WL)	1-G8	2-82	2
COVER, L. SIDE *NH478M* (TOWER SILVER METALLIC)	1-G8	2-82	6	COWL SET (UPPER) *NH478M* (WL) (TOWER SILVER METALLIC)	1-H11	2-121	1
COVER, L. SIDE *PB255P* (PEARL CORONADO BLUE)	1-G8	2-82	6	COWL SET (UPPER) *PB255P* (WL) (PEARL CORONADO BLUE)	1-H11	2-121	1
COVER, L. WINDSCREEN BRACKET	1-H10	2-119	16	COWL, WINDSCREEN (INNER)	1-H10	2-118	3
COVER, MUFFLER	1-G10	2-87	26	CRANKCASE SET	1-D2	1-36	1
COVER, R. ENGINE GUARD	1-H14	2-126	3	CRANKSHAFT	1-D4	1-41	12
COVER, R. MIRROR *NH478M* (TOWER SILVER METALLIC)	1-H11	2-121	5	CUP, MASTER CYLINDER OIL	1-F3	2-40	6
COVER, R. MIRROR *PB255P* (PEARL CORONADO BLUE)	1-H11	2-121	5		1-F4	2-43	7
COVER, R. OVER HEAD	1-C1	1-2	7	CUP, PISTON	1-C13	1-26	7
COVER, R. SADDLEBAG LOCK *2TN266* (BLACK/MAT BLACK)	1-I1	2-132	8	CUSHION ASSY., RR.	1-G15	2-97	1
COVER, R. SADDLEBAG LOCK *NH1* (BLACK)	1-H16	2-131	8	CUSHION, FUEL TANK	1-G2	2-70	4
COVER, R. SADDLEBAG *NH478M* (TOWER SILVER METALLIC)	1-H16	2-131	7	CUSHION, RR. FUEL TANK PIVOT	1-G2	2-71	9
COVER, R. SADDLEBAG *PB255P* (PEARL CORONADO BLUE)	1-H16	2-131	7	CUSHION, SADDLEBAG	1-I1	2-133	24
COVER, R. SIDE *NH478M* (TOWER SILVER METALLIC)	1-G8	2-82	4	CYLINDER ASSY., CLUTCH SLAVE	1-C13	1-26	3
COVER, R. SIDE *PB255P* (PEARL CORONADO BLUE)	1-G8	2-82	4	CYLINDER HEAD ASSY., L.	1-C3	1-7	1
				CYLINDER HEAD ASSY., R.	1-C2	1-4	1
				(D)			
				DAMPER, FR.	1-E14	2-31	12
				DAMPER SET, WHEEL	1-F11	2-56	1
				DELAY VALVE ASSY.	1-E6	2-15	13
					1-E7	2-17	18
				DIAGRAM, VACUUM HOSE ROUTING	1-I3	2-137	2
				DIAPHRAGM	1-F3	2-41	14
					1-F5	2-44	14
				DIAPHRAGM (NISSIN)	1-E4	2-10	10
					1-E4	2-11	10

DESCRIPTION INDEX

Description	Grid	Page	Ref	Description	Grid	Page	Ref
DIAPHRAGM (NISSIN)	1-E5	2-12	10	FUNNEL, AIR (#1)	1-G9	2-84	5
	1-E5	2-13	10	FUNNEL, AIR (#2)	1-G9	2-84	6
	1-E9	2-21	18	FUSE (65A)	1-H2	2-103	25
DIODE ASSY., THREE-WAY	1-H3	2-104	1	FUSE, BLADE (30A)	1-H2	2-103	24
	1-H4	2-106	1		1-H3	2-105	21
DISK A, CLUTCH FRICTION	1-C11	1-22	8		1-H4	2-107	23
DISK B, CLUTCH FRICTION	1-C11	1-22	7	FUSE F (10A) (MINI)	1-H3	2-105	18
DISK, CLUTCH FRICTION	1-C11	1-22	6		1-H4	2-107	20
DISK, L. FR. BRAKE	1-F2	2-39	15	FUSE F (15A) (MINI)	1-H3	2-105	19
DISK, R. FR. BRAKE	1-F2	2-39	12		1-H4	2-107	21
DISK, RR. BRAKE	1-F11	2-57	12	FUSE F (20A) (MINI)	1-H3	2-105	20
DRUM, GEARSHIFT	1-D8	1-48	8		1-H4	2-107	22
DUCT, AIR CLEANER IN.	1-G9	2-84	9				
DUST SEAL	1-E15	2-32	26				
DUST SEAL (17X24X5) (ARAI)	1-G15	2-96	15	(G)			
DUST SEAL (26X40X5)	1-F14	2-63	31	GASKET, BASE	1-G4	2-75	11
	1-G1	2-68	35	GASKET, EX. PIPE	1-D14	1-61	1
DUST SEAL (30X47X13)	1-F11	2-57	21		1-G10	2-86	3
DUST SEAL (34X52X10)	1-F2	2-39	21	GASKET, FR. CRANKCASE COVER	1-C9	1-18	2
DUST SEAL, BRAKE CAM	1-E14	2-30	2		1-D15	1-62	1
DUST SEAL, STEERING HEAD	1-E13	2-28	2	GASKET, HEAD COVER	1-C1	1-2	9
DUST SEAL, STEERING HEAD (ARAI)	1-E13	2-28	1		1-D14	1-61	1
				GASKET, L. CYLINDER HEAD	1-C3	1-7	3
(E)					1-D14	1-61	1
ELEMENT, AIR CLEANER	1-G9	2-84	2	GASKET, MUFFLER	1-D14	1-61	1
EMBLEM (HONDA)	1-I4	2-139	3		1-G10	2-86	8
	1-I4	2-139	7	GASKET, OIL STRAINER	1-G10	2-86	9
EMBLEM, PRODUCT	1-E11	2-25	18		1-C16	1-33	6
EMBLEM, WING MARK	1-E11	2-25	18	GASKET, PLUG HOLE	1-D15	1-62	2
E-RING (4MM)	1-G7	2-81	39		1-C2	1-4	4
E-RING (6MM)	1-H6	2-111	28		1-C3	1-7	4
	1-H7	2-112	28	GASKET, R. CYLINDER HEAD	1-D14	1-61	1
					1-C2	1-4	3
(F)					1-D14	1-61	1
FAN, COOLING	1-H9	2-116	4	GASKET SET	1-D11	1-55	1
FENDER A, RR.	1-G16	2-98	6	GASKET SHEET KIT A	1-D14	1-61	1
FENDER B, RR.	1-G16	2-98	8	GASKET SHEET KIT B	1-D15	1-62	1
FENDER, FR. *NH478M* (TOWER SILVER METALLIC)	1-E13	2-29	3	GASKET, SLAVE CYLINDER	1-C13	1-26	4
FENDER, FR. *PB255P* (PEARL CORONADO BLUE)	1-E13	2-29	3		1-D15	1-62	1
FILM, FRAME PIPE (UPPER)	1-G4	2-75	12	GASKET, TENSIONER LIFTER	1-C8	1-16	8
FILTER, FUEL	1-G4	2-74	8		1-D15	1-62	1
FILTER, FUEL RETURN	1-G4	2-74	4	GASKET, WATER PUMP	1-C10	1-20	5
FILTER, OIL (TOYO ROKI)	1-C16	1-33	11		1-D15	1-62	1
	1-D1	1-34	11	GAUGE, FEELER (0.7)	1-H8	2-114	5
FINDER, OIL LEVEL	1-D2	1-36	5	GEAR, ALTERNATOR DRIVE (60T)	1-C12	1-24	2
FLANGE SET, FINAL DRIVEN	1-F11	2-56	7	GEAR ASSY., ALTERNATOR	1-C14	1-29	3
FORK ASSY., L. FR.	1-E14	2-31	20	GEAR ASSY., FINAL DRIVEN	1-F12	2-59	3
FORK ASSY., R. FR.	1-E14	2-30	3		1-F15	2-64	6
FORK, CENTER GEARSHIFT	1-D8	1-48	5	GEAR ASSY., PRIMARY DRIVE (42T)	1-C11	1-23	15
FORK, FR. GEARSHIFT	1-D8	1-48	4	GEAR, BALANCER (LOWER)	1-D5	1-43	7
FRAME *NH146M* (ACCURATE SILVER METALLIC)	1-H6	2-110	2	GEAR, BALANCER (UPPER) (40T)	1-D5	1-43	1
FUEL UNIT SET	1-G2	2-71	16	GEAR, COUNTERSHAFT FIFTH (25T)	1-D7	1-46	15
FUNNEL, AIR & (#3) (#4)	1-G9	2-84	7	GEAR, COUNTERSHAFT FIRST (36T)	1-D6	1-45	3
				GEAR, COUNTERSHAFT FOURTH (25T)	1-D6	1-45	11
					1-D7	1-46	11
				GEAR, COUNTERSHAFT SECOND (31T)	1-D6	1-45	5

DESCRIPTION INDEX

Description	Grid	Page	Ref	Description	Grid	Page	Ref
GEAR, COUNTERSHAFT THIRD (27T)	1-D6	1-45	8	HANDLE, EYE WRENCH (120MM)	1-H8	2-115	17
GEAR, FINAL DRIVE (40T)	1-D9	1-51	1	HANDLEBAR, L. *NH295M* (SPARKLING SILVER METALLIC)	1-E11	2-25	16
GEAR, FINAL DRIVEN (37T)	1-D9	1-51	3	HANDLEBAR, R. *NH295M* (SPARKLING SILVER METALLIC)	1-E11	2-24	8
GEAR, MAINSHAFT FIFTH (29T)	1-D7	1-46	13	HEADLIGHT ASSY.	1-E1	2-4	1
GEAR, MAINSHAFT FOURTH (24T)	1-D6	1-45	10	HEADLIGHT UNIT	1-E1	2-4	3
GEAR, MAINSHAFT SECOND (18T)	1-D6	1-45	4	HOLDER, ALTERNATOR BEARING	1-C14	1-29	2
GEAR, MAINSHAFT THIRD (21T)	1-D6	1-45	7	HOLDER ASSY., BRUSH	1-C14	1-29	5
GEAR SET, FINAL	1-F12	2-59	6	HOLDER, BALANCER SHAFT	1-D5	1-43	6
	1-F15	2-64	9	HOLDER, FINAL SHAFT BEARING	1-C13	1-26	8
	1-F15	2-65	9	HOLDER, L. MAIN STEP *NH146M* (ACCURATE SILVER METALLIC)	1-G12	2-91	12
GEAR, STARTER REDUCTION (15T/91T)	1-C12	1-24	8	HOLDER, L. SADDLEBAG	1-G6	2-79	22
GEAR, STARTING DRIVEN (48T)	1-C12	1-24	3	HOLDER, MASTER CYLINDER	1-E4	2-10	8
GEAR TRAIN	1-C12	1-24	1		1-E5	2-12	8
GENERATOR ASSY., PULSE	1-C9	1-18	3		1-E9	2-21	15
GRAB RAIL, RR. *NH295M* (SPARKLING SILVER METALLIC)	1-G6	2-79	12	HOLDER, PRIMARY BEARING	1-C16	1-32	2
GRIP	1-H8	2-114	6		1-C16	1-32	3
GRIP ASSY., THROTTLE	1-E3	2-8	5	HOLDER, R. MAIN STEP *NH146M* (ACCURATE SILVER METALLIC)	1-G12	2-90	3
GRIP, L. HANDLE	1-E3	2-8	7	HOLDER, R. SADDLEBAG	1-G6	2-79	19
GRIP, MAIN STAND *NH105* (MAT BLACK)	1-H6	2-111	12	HOLDER SET, BRUSH	1-C14	1-28	4
GRIP, R. HANDLE	1-E3	2-8	6	HOLDER, TRANSMISSION BEARING	1-D8	1-48	2
GRIP, SADDLEBAG *NH1* (BLACK)	1-I1	2-132	11	HOOK, MAIN STAND SPRING	1-G13	2-93	11
GROMMET	1-E1	2-4	9	HOOK, SEAT CATCH	1-G6	2-78	9
GROMMET A, WINDSCREEN	1-H10	2-119	18	HORN (LOW)	1-H15	2-129	3
GROMMET B, RR. COVER	1-C1	1-2	1	HOSE A, FR. BRAKE	1-E4	2-10	2
	1-D14	1-61	2		1-E5	2-12	2
GROMMET, SIDE COVER	1-E1	2-4	10	HOSE A, PUMP	1-G4	2-74	2
	1-E1	2-5	10	HOSE A, RR. BRAKE	1-F4	2-43	1
	1-H14	2-127	18		1-F8	2-50	2
GROMMET, TOOL TRAY	1-G16	2-98	5	HOSE A, SECOND BRAKE MASTER CYLINDER	1-E6	2-14	5
GROMMET, TUBE	1-G16	2-98	3		1-E7	2-16	8
GUARD, CANISTER HEAT	1-I2	2-135	4	HOSE A, SUB-BRAKE	1-F3	2-40	1
GUARD, L. ENGINE	1-H6	2-111	16		1-F4	2-43	2
GUARD, R. ENGINE	1-H6	2-111	15	HOSE A, WATER	1-D10	1-52	8
GUARD, SENSOR	1-D2	1-36	8	HOSE B, FR. BRAKE	1-E6	2-14	7
GUIDE, AIR CENTER	1-E6	2-15	18		1-E7	2-17	11
	1-E7	2-17	24	HOSE B, IN. MANIFOLD	1-D10	1-53	19
GUIDE B, CAM CHAIN	1-C8	1-16	7	HOSE B, PUMP	1-G4	2-74	3
GUIDE, CAM CHAIN	1-C8	1-16	9	HOSE B, RR. BRAKE	1-F9	2-52	3
GUIDE, COWL (UPPER)	1-H11	2-121	2	HOSE B, SECOND BRAKE MASTER CYLINDER	1-F8	2-50	5
GUIDE, RR. BRAKE HOSE	1-F3	2-40	11		1-F9	2-52	6
	1-F3	2-41	11	HOSE B, SUB-BRAKE	1-E6	2-14	1
GUIDE, SEAT ADJUSTER	1-G5	2-76	10		1-E7	2-16	4
GUIDE, SPEED SENSOR WIRE	1-F15	2-64	5	HOSE B, WATER	1-D10	1-53	11
GUIDE, THROTTLE CABLE	1-E6	2-15	16	HOSE C, FR. BRAKE	1-E6	2-14	9
	1-E7	2-17	21		1-E7	2-17	13
	1-E11	2-24	1	HOSE C, RR. BRAKE	1-F8	2-50	4
GUIDE, VALVE (OS)	1-C2	1-4	2		1-F9	2-52	5
	1-C3	1-7	2	HOSE C, SECOND BRAKE MASTER CYLINDER	1-F8	2-50	7
GUIDE, WIRE HARNESS	1-E11	2-24	2		1-F9	2-52	8
GUIDED, KNOCK SENSOR WIRE	1-D3	1-38	30	HOSE C, SUB-BRAKE	1-E6	2-14	2
					1-E7	2-16	5
(H)				HOSE C, WATER	1-D10	1-53	13
HANDLE, EYE WRENCH (120)	1-H8	2-115	17				

DESCRIPTION INDEX

Description	Grid	Page	Ref	Description	Grid	Page	Ref
HOSE D, SUB-BRAKE	1-E6	2-14	4	LABEL, CARGO LIMIT (2.0KG)	1-I3	2-137	8
	1-E7	2-16	7	LABEL, CARGO LIMIT (4.5)	1-I4	2-138	11
HOSE E, WATER	1-D10	1-53	15	LABEL, CARGO LIMIT (9.0KG)	1-I3	2-137	6
HOSE F, WATER	1-D10	1-53	16	LABEL, COLOR *NH478* (TYPE2) (TOWER SILVER METALLIC)	1-I4	2-138	10
HOSE, FUEL FEED	1-G4	2-74	9	LABEL, COLOR *PB255* (TYPE1) (PEARL CORONADO BLUE)	1-I4	2-138	10
HOSE, FUEL RETURN	1-G2	2-70	5	LABEL, DRIVE	1-I4	2-138	9
HOSE G, WATER	1-D10	1-53	20	LABEL, FUEL	1-I3	2-137	1
HOSE, L. WATER	1-D10	1-52	9	LABEL, FUEL CAUTION (ENGLISH/FRENCH)	1-I3	2-137	1
HOSE, R. WATER	1-D10	1-52	7	LABEL, FUEL CAUTION (ENGLISH/FRENCH/GERMAN)	1-I3	2-137	1
HOSE, RADIATOR (LOWER)	1-H9	2-117	15	LABEL, HIGH ALTITUDE	1-I3	2-137	3
HOSE, RADIATOR (UPPER)	1-H9	2-117	14	LABEL, LOADING	1-I3	2-137	5
HOSE, RR. MASTER CYLINDER	1-F3	2-40	7	LABEL, RADIATOR CAP (DENSO)	1-H9	2-116	8
	1-F4	2-43	8	LABEL, RR. SHOCK ABSORBER	1-G15	2-97	3
HOUSING, AIR CLEANER	1-G9	2-84	8	LABEL, SADDLEBAG	1-I3	2-137	7
				LABEL, TIRE	1-I3	2-137	4
(I)				LATCH & STRIKER	1-H13	2-124	6
IMPELLER, WATER PUMP	1-C10	1-20	1	LENS, SHEET	1-E2	2-7	12
INDICATOR ASSY.	1-E2	2-6	10	LENS, SHEET (A,CM,U WITHOUT ABS)	1-E2	2-7	13
	1-E2	2-7	10	LEVER A, STARTER	1-D13	1-58	2
INJECTOR ASSY., FUEL	1-D11	1-55	11	LEVER ASSY., R. HANDLE	1-E4	2-11	13
	1-D12	1-56	11		1-E5	2-13	13
INSULATOR, THROTTLE BODY	1-C2	1-4	5	LEVER B, STARTER	1-D13	1-58	4
	1-C3	1-7	5	LEVER C, STARTER	1-D13	1-58	5
				LEVER, L. GRAB RAIL *NH295M* (SPARKLING SILVER METALLIC)	1-G6	2-79	18
(J)				LEVER, L. HANDLE	1-E9	2-21	20
JOINT (5WAY)	1-D12	1-56	17	LEVER, L. SADDLEBAG COVER LOCK *NH1* (BLACK)	1-I1	2-133	25
JOINT ASSY., TWO-WAY BLEEDER	1-F6	2-46	7	LEVER, L. SADDLEBAG LOCK	1-G6	2-79	23
	1-F7	2-49	11	LEVER, R. GRAB RAIL *NH295M* (SPARKLING SILVER METALLIC)	1-G6	2-79	17
JOINT, BRAKE ROD	1-F3	2-41	18	LEVER, R. SADDLEBAG COVER LOCK *NH1* (BLACK)	1-I1	2-132	14
	1-F5	2-44	18	LEVER, R. SADDLEBAG LOCK	1-G6	2-79	20
JOINT, BREATHER TUBE	1-G2	2-71	14	LEVER SET B, STARTER	1-D13	1-58	3
JOINT, FUEL TUBE	1-D10	1-52	1	LEVER, TIRE	1-H8	2-115	16
	1-I2	2-135	1	LID, L. MIDDLE COWL *NH478M* (TOWER SILVER METALLIC)	1-H14	2-127	10
JOINT, L. WATER	1-D10	1-53	18	LID, L. MIDDLE COWL *PB255P* (PEARL CORONADO BLUE)	1-H14	2-127	10
JOINT, PINION	1-F13	2-60	12	LID, L. POCKET	1-H13	2-124	8
	1-F15	2-65	15	LID, R. MIDDLE COWL *NH478M* (TOWER SILVER METALLIC)	1-H14	2-126	9
JOINT, R. WATER	1-D10	1-53	14	LID, R. MIDDLE COWL *PB255P* (PEARL CORONADO BLUE)	1-H14	2-126	9
JOINT SET, BRAKE ROD	1-F1	2-37	21	LID, R. POCKET	1-H13	2-124	5
JOINT (T)	1-D11	1-55	5	LIFTER, TENSIONER	1-C8	1-16	6
JOINT, VACUUM TUBE (A)	1-D12	1-56	18	LIFTER, VALVE	1-C5	1-10	8
JOINT, YOKE	1-G14	2-95	1	LIGHT UNIT, RR. COMBINATION	1-H1	2-101	3
				LOCK A, BEARING ADJ.	1-F13	2-60	11
(K)					1-F15	2-65	14
KEY, BLANK (TYPE1)	1-E11	2-24	7	LOCK ASSY., GRAB RAIL LEVER	1-G6	2-78	10
KNOB ASSY.	1-E2	2-6	4	LOCK ASSY., POCKET LID	1-H13	2-125	12
(L)							
LABEL A, MINI FUSE	1-H3	2-104	4				
	1-H4	2-106	5				
LABEL B, MINI FUSE	1-H3	2-104	5				
	1-H4	2-106	6				

DESCRIPTION INDEX

Description	Grid	Page	Ref	Description	Grid	Page	Ref
LOCK ASSY., SADDLEBAG LEVER	1-H16	2-131	5	NUT, CAP (6MM)	1-E9	2-21	24
LOCK B, BEARING ADJ.	1-F13	2-60	11		1-G6	2-79	29
	1-F15	2-65	14	NUT, CLIP (5MM)	1-G8	2-83	9
LOCK PLATE, L. SADDLEBAG KEY	1-I1	2-133	20		1-G16	2-99	17
LOCK PLATE, R. SADDLEBAG KEY	1-I1	2-132	9		1-H1	2-101	7
LOCK, SADDLEBAG COVER	1-I1	2-132	13		1-H12	2-122	14
LOCK SET	1-E11	2-24	3		1-H13	2-125	16
LOUVER, L. COWL SIDE	1-H14	2-126	6		1-H15	2-128	29
LOUVER, R. COWL SIDE	1-H14	2-126	5	NUT, CONNECTING ROD	1-D4	1-40	8
				NUT, COWL SETTING (5MM)	1-G2	2-71	21
(M)					1-H1	2-101	5
MAINSHAFT (14T)	1-D6	1-45	1	NUT, COWL (UPPER)	1-H13	2-124	11
MARK A, MIDDLE COWL (TYPE1)	1-I4	2-139	5		1-H13	2-125	11
MARK A, MIDDLE COWL (TYPE2)	1-I4	2-139	5	NUT, FLANGE (10MM)	1-H6	2-111	27
MARK B, MIDDLE COWL (TYPE1)	1-I4	2-139	6	NUT, FLANGE (4MM)	1-D2	1-37	20
MARK, L. FUEL TANK (TYPE1)	1-I4	2-139	2		1-E1	2-5	14
MARK, L. FUEL TANK (TYPE2)	1-I4	2-139	2	NUT, FLANGE (5MM)	1-G16	2-99	19
MARK, R. FUEL TANK (TYPE1)	1-I4	2-139	1		1-H12	2-123	18
MARK, R. FUEL TANK (TYPE2)	1-I4	2-139	1	NUT, FLANGE (6MM)	1-E13	2-29	6
MARK, RR. COWL (TYPE2)	1-I4	2-139	4		1-G3	2-72	29
MASTER CYLINDER SUB-ASSY., CLUTCH	1-E9	2-20	5		1-G4	2-75	22
MASTER CYLINDER SUB-ASSY., FR.	1-E4	2-10	5		1-G5	2-77	14
	1-E5	2-12	5		1-G7	2-80	36
MASTER CYLINDER SUB-ASSY., FR. (NISSIN)	1-E4	2-10	5		1-G10	2-87	20
	1-E5	2-12	5		1-G16	2-99	20
MASTER CYLINDER SUB-ASSY., RR.	1-F3	2-40	5		1-H10	2-119	27
	1-F4	2-43	6	NUT, FLANGE (7MM)	1-H16	2-130	15
MAT A, HEAT GUARD	1-H7	2-113	39		1-G10	2-87	17
MAT B, HEAT GUARD	1-H7	2-113	40	NUT, FLANGE (8MM)	1-E11	2-25	27
MAT C, HEAT GUARD	1-H7	2-113	41		1-E12	2-26	27
MAT D, HEAT GUARD	1-G3	2-72	37		1-F6	2-47	13
MAT E, HEAT GUARD	1-G3	2-72	38		1-F7	2-49	20
MAT, FUEL TANK	1-G2	2-71	12		1-G10	2-87	21
MAT, L. FRAME	1-H7	2-113	44		1-G11	2-89	14
MAT, L. MIDDLE COWL	1-H15	2-128	36		1-H7	2-113	50
MAT, R. FRAME	1-H7	2-112	37	NUT, FLANGE CAP (10MM)	1-G15	2-97	6
MAT, R. MIDDLE COWL	1-H15	2-128	35	NUT, FLOATING (5MM)	1-E1	2-5	11
METER ASSY., COMBINATION	1-E2	2-6	1	NUT, GOVERNOR ARM FIXING	1-G11	2-89	13
METER, COMBINATION	1-E2	2-6	9	NUT, HEADLIGHT SETTING	1-E13	2-29	4
MIRROR ASSY., L. BACK	1-H12	2-122	8	NUT, HEX. (10MM)	1-E14	2-31	16
MIRROR ASSY., R. BACK	1-H11	2-121	4		1-F14	2-63	23
MODULATOR ASSY., ABS	1-E7	2-17	22		1-F16	2-67	27
	1-F7	2-49	15	NUT, HEX. (16MM)	1-F14	2-63	24
MOTOR ASSY., L. FAN	1-H9	2-117	13		1-F16	2-67	28
MOTOR ASSY., R. FAN	1-H9	2-116	5	NUT, HEX. (5MM)	1-C15	1-31	22
MOTOR ASSY., STARTER (MITSUBA)	1-C14	1-28	1	NUT, HEX. (6MM)	1-C15	1-31	26
MUFFLER, L.	1-G10	2-86	10		1-G11	2-89	18
MUFFLER, R.	1-G10	2-86	4	NUT, HEX. (8MM)	1-F3	2-41	26
					1-F5	2-45	26
(N)				NUT, LOCK (25MM)	1-C11	1-23	19
NUT A, SEALING (12MM)	1-G4	2-75	17	NUT, LOCK (30MM)	1-D9	1-51	5
NUT, CAP (6MM)	1-E4	2-11	17	NUT, MOLDING SIDE	1-I1	2-133	28
	1-E5	2-13	17	NUT, SERRATE (5MM)	1-H9	2-117	19
				NUT, SET	1-H9	2-116	2
				NUT, SIDE STAND	1-G14	2-94	17
				NUT, SPECIAL (22MM)	1-D9	1-51	4

DESCRIPTION INDEX

Description	Grid	Page	Ref	Description	Grid	Page	Ref
NUT, SPECIAL (6X7)	1-G6	2-79	30	O-RING (18.1X3.6)	1-C13	1-27	16
	1-G7	2-80	30		1-D15	1-62	2
NUT, SPEED	1-H10	2-119	22	O-RING (18X3) (ARAI)	1-D2	1-37	18
NUT, SPRING (6MM)	1-G16	2-99	14		1-D15	1-62	2
NUT, SQUARE (5MM)	1-C2	1-4	8	O-RING (19.9X3.1)	1-C9	1-18	8
	1-C3	1-7	8		1-D15	1-62	2
NUT, STEERING STEM	1-E11	2-25	26	O-RING (21.2X2.4) (ARAI)	1-D10	1-53	24
NUT, SWINGARM PIVOT	1-G15	2-96	11		1-D14	1-61	2
NUT, U (10MM)	1-H6	2-111	26	O-RING (21.5MM)	1-C1	1-3	19
NUT, U (18MM)	1-F11	2-57	15		1-D14	1-61	2
NUT, U (6MM)	1-F6	2-47	12	O-RING (22X3.0)	1-C1	1-3	19
	1-F7	2-49	19		1-D14	1-61	2
	1-G2	2-71	22	O-RING (23X2.4)	1-C8	1-17	18
NUT, U FLANGE (10MM)	1-G15	2-97	7		1-D15	1-62	2
NUT-WASHER (6MM)	1-C14	1-28	6	O-RING (24.4X3.1)	1-C14	1-28	7
					1-D15	1-62	2
				O-RING (24.4X3.1) (ARAI)	1-C14	1-28	7
					1-D15	1-62	2
(O)				O-RING (2.5X1.5)	1-E15	2-33	9
OIL SEAL	1-C15	1-30	13		1-F1	2-36	9
OIL SEAL (12X22X5)	1-C10	1-20	9		1-F10	2-55	12
OIL SEAL (14X22X5)	1-C13	1-27	13	O-RING (29.7X2.4) (NOK)	1-C9	1-19	11
OIL SEAL (27X43X7)	1-G15	2-96	14		1-D15	1-62	2
OIL SEAL (28X46X7)	1-C13	1-27	12	O-RING (30.8MM)	1-F14	2-63	32
OIL SEAL (35X54X8) (NOK)	1-F14	2-63	28		1-G1	2-68	36
	1-G1	2-68	32	O-RING (30MM)	1-C9	1-18	11
OIL SEAL (39X56X7) (NOK)	1-F14	2-63	29		1-C9	1-19	11
	1-G1	2-68	33		1-D15	1-62	2
OIL SEAL (65X85X7) (NOK)	1-F14	2-63	30	O-RING (37.2X2.4) (SHOWA)	1-E15	2-32	27
	1-G1	2-68	34	O-RING (39.5X5)	1-G2	2-71	25
OIL SEAL (8X16X5.5)	1-D8	1-49	25	O-RING (43.5X2) (NOK)	1-D10	1-53	25
OIL SEAL (8X18X5) (NISSIN)	1-C13	1-27	15		1-D14	1-61	2
OIL SEAL (8X25X8) (ARAI)	1-C13	1-27	14	O-RING (45X2.5) (ARAI)	1-D2	1-37	17
OIL SEAL, PATH PIPE (20.3MM)	1-D1	1-35	21		1-D15	1-62	2
	1-D15	1-62	2	O-RING (50.5X3.5) (ARAI)	1-F11	2-57	23
OPENNER, SEAT	1-G6	2-79	16	O-RING (50.5X3.5) (NOK)	1-F11	2-57	23
ORIFICE (1.2MM)	1-C14	1-29	1	O-RING (5.8X1.9) (NISSIN)	1-E10	2-22	28
ORIFICE A (1.6MM)	1-D2	1-36	2	O-RING (61X2)	1-F11	2-57	22
ORIFICE B (1.6MM)	1-D8	1-48	1	O-RING (64.5X3.5)	1-F14	2-63	33
O-RING	1-C14	1-28	8		1-G1	2-68	37
	1-C15	1-31	24	O-RING (66X2.5)	1-C13	1-27	17
	1-D15	1-62	2		1-D15	1-62	2
O-RING (13.8X2.5)	1-C9	1-18	9	O-RING (7.45X3.61)	1-D12	1-57	22
	1-D15	1-62	2	O-RING (7.47X3.6)	1-D12	1-56	21
O-RING (14.7X2.2) (ARAI)	1-D1	1-34	20	O-RING (7.5X1.5) (HONDA KIKAKI)	1-G9	2-85	14
	1-D15	1-62	2	O-RING (95.5X2.4)	1-C15	1-31	23
O-RING (14.8X2.2)	1-D1	1-34	20		1-D15	1-62	2
	1-D15	1-62	2	O-RING (9.8X2.4)	1-C15	1-31	25
O-RING (14.8X2.4)	1-F3	2-41	23		1-D2	1-37	19
	1-F5	2-45	24		1-D15	1-62	2
O-RING (15X2.5)	1-D6	1-44	11				
	1-D15	1-62	2	(P)			
O-RING (16X2.1)	1-C2	1-5	18	PAD, L. KNEE GRIP	1-G3	2-72	36
	1-C9	1-18	10	PAD, R. KNEE GRIP	1-G3	2-72	35
	1-D14	1-61	2				
	1-D15	1-62	2				

DESCRIPTION INDEX

Description	Grid	Page	Ref	Description	Grid	Page	Ref
PAD SET, FR.	1-E15	2-33	4	PIN, SEAT ADJUSTER HOOK	1-G5	2-77	12
	1-F1	2-36	3	PIN, SHIFT RETURN SPRING	1-D8	1-49	14
PAD SET, RR.	1-F10	2-54	1	PIN, SPLIT (1.2)	1-D13	1-59	11
PAN, OIL	1-C16	1-33	1	PIN, STEP BAR	1-G12	2-90	8
PANEL, METER	1-H11	2-121	3	PIPE A, FR. BRAKE	1-E4	2-10	3
PEDAL ASSY., GEARSHIFT	1-G11	2-88	4		1-E5	2-12	3
PEDAL, RR. BRAKE	1-G11	2-88	9	PIPE A, OIL PASSAGE	1-C16	1-33	9
PGM-FI UNIT	1-H3	2-104	10	PIPE A, RR. BRAKE	1-F7	2-48	2
	1-H4	2-107	12	PIPE A, SECOND BRAKE MASTER CYLINDER	1-E6	2-14	6
PICK-UP ASSY.	1-C2	1-4	9		1-E7	2-16	9
PIECE, CLUTCH JOINT	1-C11	1-22	11	PIPE A, SUB-BRAKE	1-F6	2-46	2
	1-C11	1-23	11		1-F7	2-48	4
PIECE, OIL LOCK	1-E14	2-31	13	PIPE ASSY., BLEEDER	1-E9	2-20	1
PIECE, OIL LOCK (SHOWA)	1-E14	2-31	13	PIPE B, FR. BRAKE	1-E7	2-16	10
PIN A, DOWEL (10X16)	1-C2	1-5	20	PIPE B, OIL PASSAGE	1-C16	1-33	10
	1-C4	1-8	19	PIPE B, RR. BRAKE	1-F7	2-48	3
	1-D2	1-37	22	PIPE B, SECOND BRAKE MASTER CYLINDER	1-F6	2-46	3
PIN A, DOWEL (12X20)	1-C2	1-5	21		1-F7	2-48	5
	1-C4	1-8	20	PIPE B, SUB-BRAKE	1-E7	2-16	3
PIN A, DOWEL (8X10)	1-C13	1-27	18	PIPE C, FR. BRAKE	1-E6	2-14	8
PIN A, DOWEL (8X14)	1-C2	1-5	19		1-E7	2-17	12
	1-C4	1-8	18	PIPE C, RR. BRAKE	1-F8	2-50	3
	1-C9	1-19	12		1-F9	2-52	4
	1-C10	1-20	10	PIPE C, SECOND BRAKE MASTER CYLINDER	1-F6	2-46	4
	1-C10	1-21	10		1-F7	2-48	6
PIN A, PILLION STEP	1-G5	2-77	17	PIPE C, SUB-BRAKE	1-E6	2-14	3
PIN, BOLT	1-E16	2-34	12		1-E7	2-16	6
	1-F1	2-37	12	PIPE, CLUTCH	1-E9	2-20	8
	1-F10	2-55	14	PIPE D, SECOND BRAKE MASTER CYLINDER	1-F7	2-48	7
PIN, BRAKE ROD	1-F3	2-41	17	PIPE E, SECOND BRAKE MASTER CYLINDER	1-F8	2-50	6
	1-F5	2-44	17		1-F9	2-52	7
PIN C, PILLION FOOTPEG	1-G12	2-91	26	PIPE, FR. FORK	1-E14	2-30	7
PIN, COTTER (1.6X12)	1-G5	2-77	16	PIPE, L. EX.	1-G10	2-86	2
	1-G12	2-91	23	PIPE, L. FUEL	1-D12	1-56	14
PIN, COTTER (2.0X15)	1-F3	2-41	28	PIPE, MAIN STAND PIVOT	1-G13	2-93	8
	1-F5	2-45	27	PIPE, OIL SCAVENGING	1-C16	1-33	7
	1-G12	2-91	24	PIPE, R. EX.	1-G10	2-86	1
PIN, COTTER (2.5X28)	1-G14	2-94	20	PIPE, R. FUEL	1-D12	1-56	13
PIN, DOWEL (10X10)	1-D2	1-37	16	PIPE SET, FUEL	1-D12	1-56	15
PIN, DOWEL (10X16)	1-C13	1-27	19	PISTON (22X27)	1-E15	2-33	7
	1-D2	1-37	15		1-F1	2-36	7
PIN, DOWEL (5X8)	1-C12	1-25	16	PISTON (22X35) (B)	1-F1	2-37	17
PIN, DOWEL (8X10)	1-C12	1-25	15	PISTON (22X39)	1-F10	2-54	8
	1-C15	1-31	27	PISTON A, L.	1-F10	2-54	4
PIN, DOWEL (8X14)	1-D1	1-34	19	PISTON B (27X35)	1-E16	2-34	17
	1-D8	1-49	26	PISTON, L.	1-D3	1-39	3
PIN, DOWEL (8X16)	1-C2	1-5	17	PISTON, L. (OS 0.25)	1-D3	1-39	3
	1-C4	1-8	17	PISTON, L. (OS 0.50)	1-D3	1-39	3
PIN, HANGER	1-E16	2-34	16	PISTON, R.	1-D3	1-39	2
	1-F1	2-37	18	PISTON, R. (OS 0.25)	1-D3	1-39	2
	1-F10	2-55	18	PISTON, R. (OS 0.50)	1-D3	1-39	2
PIN, KICK STARTER	1-H6	2-110	1	PISTON SET, FR. MASTER CYLINDER	1-E4	2-11	12
PIN, PISTON	1-D3	1-39	4		1-E5	2-13	12
PIN, RING GEAR STOPPER	1-F13	2-60	13	PISTON SET, MASTER	1-E9	2-20	4
	1-F15	2-65	16	PISTON SET, RR. MASTER CYLINDER	1-F3	2-41	12
					1-F5	2-44	12

DESCRIPTION INDEX

Description	Grid	Page	Ref	Description	Grid	Page	Ref
PISTON SET, SECOND MASTER CYLINDER	1-F1	2-37	20	PULLER, MINI FUSE	1-H8	2-114	1
PISTON, SLAVE CYLINDER	1-C13	1-26	5	PUMP ASSY., FUEL	1-G4	2-74	1
PIVOT, SHIFT DRUM STOPPER ARM	1-D8	1-49	18	PUMP ASSY., OIL	1-C16	1-33	3
PLATE (3SW)	1-E2	2-6	8	PUMP SUB-ASSY., FUEL	1-G4	2-74	7
PLATE A, CLUTCH	1-C11	1-22	9				
PLATE, AIR FUNNEL	1-G9	2-84	10	(R)			
PLATE, CLUTCH PRESSURE	1-C11	1-22	10	RADIATOR	1-H9	2-116	1
PLATE, COUNTERSHAFT BEARING SETTING	1-D8	1-48	3	RECTIFIER ASSY.	1-C14	1-29	10
PLATE, CROSS HANGER	1-H7	2-113	46	REFLECTOR, FR. REFLEX	1-E13	2-29	1
PLATE, DIAPHRAGM	1-F3	2-41	15	REFLECTOR, FR. REFLEX (STANLEY)	1-E13	2-29	1
	1-F5	2-44	15	REFLECTOR, REFLEX	1-G16	2-98	2
PLATE, DIAPHRAGM (NISSIN)	1-E4	2-10	9	REFLECTOR, RR. REFLEX	1-G6	2-78	2
	1-E5	2-12	9	REGULATOR ASSY.	1-C15	1-30	19
	1-E9	2-21	17	REGULATOR ASSY., PRESSURE	1-D12	1-56	16
PLATE, DUST GUARD	1-F13	2-60	9	RELAY, POWER (MICRO ISO 4P)	1-H3	2-104	8
	1-F15	2-65	12		1-H4	2-106	9
PLATE, FR. CROSS	1-G5	2-76	2	RELAY, POWER (MICRO ISO 5P)	1-H15	2-129	5
PLATE, HINGE SETTING	1-I1	2-133	21	RELAY, TURN SIGNAL	1-H3	2-104	6
	1-I1	2-133	22		1-H4	2-106	7
PLATE, L. FR. ENGINE HANGER	1-H6	2-110	9	RETAINER, BEARING	1-F13	2-60	10
	1-H6	2-111	9		1-F15	2-65	13
PLATE, L. SEAT STOPER	1-H6	2-111	18	RETAINER, BRACKET	1-E15	2-33	10
PLATE, MAIN STAND SPRING	1-G13	2-93	5		1-F1	2-36	10
PLATE, PILLION STEP CLICK	1-G12	2-91	15	RETAINER, PLASTIC	1-H10	2-119	17
PLATE, PORT (AI)	1-C1	1-2	6	RETAINER, RR. BRACKET	1-F10	2-54	6
PLATE, PRIMARY BEARING SETTING	1-C16	1-32	4	RETAINER, VALVE SPRING	1-C5	1-10	10
PLATE, R. FR. ENGINE HANGER	1-H6	2-110	8	RING	1-C14	1-28	5
PLATE, R. SEAT STOPER	1-H6	2-111	17	RING, BACK-UP	1-E14	2-30	8
PLATE, RR. ENGINE HANGER	1-H6	2-111	10		1-E14	2-31	8
	1-H6	2-111	11	RING, FR. PULSER	1-F2	2-39	8
PLATE, SADDLEBAG COVER LOCK	1-I1	2-132	10	RING, FRICTION	1-C12	1-24	6
PLATE, SENSOR GUARD	1-D3	1-38	29	RING, HANDLE WEIGHT SNAP	1-E11	2-25	13
PLATE, SETTING	1-C1	1-2	3	RING, OIL SEAL STOPPER	1-E14	2-31	14
PLATE, SHIFT DRUM BEARING SETTING	1-D8	1-49	15	RING, PULSER (RR)	1-F11	2-56	4
PLATE, SPRING JOINT	1-E14	2-30	6	RING SET, PISTON (OS 0.25)	1-D3	1-39	1
PLATE, STEP SETTING	1-G12	2-90	7	RING SET, PISTON (OS 0.50)	1-D3	1-39	1
PLATE, STOPPER	1-E9	2-21	16	RING SET, PISTON (STD)	1-D3	1-39	1
PLATE, WINDSCREEN STAY	1-H10	2-119	15	RING, STOPPER	1-F12	2-59	4
PLIERS (135) (RIKEN)	1-H8	2-114	7		1-F15	2-64	7
PLUG	1-G8	2-82	1		1-G14	2-95	4
	1-G16	2-98	4	RIVET, PUSH	1-H10	2-119	19
PLUG, CONE	1-G16	2-99	18		1-H14	2-127	23
PLUG, HEAD PIPE	1-G6	2-78	3	ROD ASSY., L. CONNECTING	1-D4	1-40	9
PLUG, HOLE (20MM)	1-H9	2-117	20	ROD ASSY., R. CONNECTING	1-D4	1-40	6
PLUG, PIN	1-E16	2-34	15	ROD, CLUTCH LIFTER	1-C11	1-23	14
	1-F1	2-37	16	ROD, PUSH	1-E4	2-11	11
	1-F10	2-55	17		1-E5	2-13	11
PLUG, RR. FENDER	1-G16	2-98	7		1-E9	2-20	2
POCKET B, L. COWL	1-H13	2-124	9		1-F3	2-41	13
POCKET, L. COWL	1-H13	2-124	7		1-F5	2-44	13
POCKET, R. COWL	1-H13	2-124	4	ROD SET, STARTER	1-D13	1-58	6
PROTECTOR	1-E4	2-10	6	ROD, TANK OPEN	1-G16	2-98	1
	1-E5	2-12	6	ROLLER (4X8)	1-D8	1-49	30
	1-E9	2-21	13	ROTOR ASSY.	1-C14	1-29	6
PROTECTOR, FORK PIPE	1-E14	2-31	18	ROTOR, CAM PULSE	1-C8	1-16	4

DESCRIPTION INDEX

Description	Grid	Page	Ref	Description	Grid	Page	Ref
ROTOR, PULSER	1-C11	1-23	16	SCREW	1-C15	1-30	18
RUBBER A, BATTERY HOLDER	1-H15	2-129	6	SCREW, BLEEDER	1-E9	2-21	10
RUBBER A, R. HEAT	1-G13	2-92	29		1-E15	2-33	5
RUBBER A, SIDE COVER	1-E2	2-7	20		1-F1	2-36	4
RUBBER A, STOPPER	1-H16	2-131	2		1-F6	2-46	5
RUBBER B, BATTERY SETTING	1-C1	1-3	12		1-F7	2-48	8
RUBBER B, R. HEAT	1-H7	2-112	38		1-F10	2-54	10
RUBBER B, SEAT SETTING	1-G5	2-76	5	SCREW, FLAT (4X12)	1-E4	2-11	20
RUBBER B, SEAT STOPPER	1-G5	2-76	7		1-E5	2-13	20
RUBBER B, TAILLIGHT SETTING	1-I2	2-135	5		1-E10	2-22	30
RUBBER, BATTERY BOX	1-H2	2-103	16	SCREW, OVAL (6X65)	1-E11	2-25	25
RUBBER C, R. HEAT	1-H7	2-113	43	SCREW, PAN (4X25)	1-H10	2-119	20
RUBBER C, STOPPER	1-H16	2-131	3	SCREW, PAN (5MM)	1-G9	2-85	15
RUBBER, CHANGE PEDAL	1-G11	2-88	6	SCREW, PAN (5X11.5)	1-H1	2-101	8
RUBBER, CUSHION	1-E7	2-16	1		1-H15	2-128	30
	1-H14	2-126	1	SCREW, PAN (5X12)	1-H12	2-122	15
RUBBER, DAMPER	1-D5	1-43	5	SCREW, PAN (5X13)	1-H1	2-101	8
RUBBER, DUST SEAL	1-G11	2-88	2		1-H12	2-122	12
RUBBER, EX. PIPE MOUNTING	1-G10	2-87	15		1-H13	2-125	14
RUBBER, FUEL PUMP UNIT	1-G4	2-74	5		1-H14	2-127	25
RUBBER, FUEL TANK	1-G2	2-70	4		1-H15	2-128	30
RUBBER, HANDLE WEIGHT (A)	1-E11	2-25	11	SCREW, PAN (5X20)	1-H1	2-101	9
RUBBER, HANDLE WEIGHT (B)	1-E11	2-25	12	SCREW, PAN (6X11)	1-H14	2-127	20
RUBBER, HEAT GUARD	1-G9	2-85	12	SCREW, PAN (6X12)	1-E11	2-25	20
RUBBER, L. HEAT	1-H7	2-113	42		1-F7	2-49	16
RUBBER, L. MIRROR COVER	1-H12	2-122	10	SCREW, PAN (6X14)	1-G10	2-87	27
RUBBER, MUFFLER MOUNTING	1-G10	2-87	11		1-H14	2-127	19
RUBBER, MUFFLER SETTING	1-G10	2-86	11		1-H14	2-127	22
RUBBER, PLATE	1-I1	2-133	23	SCREW, PAN (6X20)	1-E13	2-29	5
RUBBER, PROTECTOR	1-G10	2-87	25	SCREW SET, STOP	1-D11	1-55	2
RUBBER, PROTECTOR GASKET	1-H16	2-130	14	SCREW, SPECIAL (4X6.5)	1-E11	2-25	22
RUBBER, R. MIRROR COVER	1-H11	2-121	6	SCREW, SPECIAL (5X12)	1-G8	2-82	8
RUBBER, RADIATOR MOUNTING	1-H9	2-116	9		1-G8	2-83	8
RUBBER, RADIATOR SETTING	1-G6	2-78	1		1-G16	2-99	13
RUBBER, RR. BRAKE GUARD	1-G11	2-89	22		1-H14	2-127	21
RUBBER, RR. FENDER MOUNT	1-G4	2-75	14	SCREW, SPECIAL (6MM)	1-G6	2-79	27
RUBBER, SEAL	1-G6	2-78	6		1-G8	2-82	7
RUBBER, SEAT SETTING	1-G5	2-76	4		1-G16	2-99	12
	1-G5	2-76	6		1-H14	2-127	19
	1-G10	2-87	15	SCREW, SPECIAL (6X19)	1-G6	2-79	26
	1-H6	2-111	19	SCREW, SPECIAL PAN (5MM)	1-G7	2-80	32
RUBBER, SETTING	1-C1	1-3	18	SCREW, TAPPING (3X10)	1-E2	2-7	15
	1-D14	1-61	2	SCREW, TAPPING (3X12)	1-E2	2-7	16
RUBBER, SHOCK ABSORBER	1-H2	2-103	10		1-H12	2-122	16
RUBBER, SIDE COVER	1-G8	2-83	10		1-H12	2-123	16
RUBBER, STAND STOPPER	1-G10	2-87	23	SCREW, TAPPING (3X14)	1-E2	2-7	11
RUBBER, STEP	1-G12	2-91	11		1-E2	2-7	14
RUBBER, SWITCH	1-E2	2-6	7	SCREW, TAPPING (3X16)	1-E12	2-26	31
RUBBER, TAILLIGHT SETTING	1-G2	2-71	19	SCREW, TAPPING (4X10)	1-H15	2-128	32
RUBBER, WINDSCREEN ADJUSTER	1-H10	2-118	10	SCREW, TAPPING (4X12)	1-G7	2-80	35
					1-H1	2-100	4
					1-H12	2-123	17
					1-H13	2-125	17
					1-H15	2-128	33
					1-I1	2-133	31
(S)							
SCREW	1-C15	1-30	15				
	1-C15	1-30	16				

DESCRIPTION INDEX

Description	Grid	Page	Ref	Description	Grid	Page	Ref
SCREW, TAPPING (4X16)	1-E2	2-7	17	SEAL SET, PISTON	1-F10	2-54	2
	1-E2	2-7	18		1-F10	2-54	3
SCREW, TAPPING (4X25)	1-I1	2-133	32	SEAL, VALVE STEM (NOK)	1-C5	1-10	1
SCREW, TAPPING (4X6)	1-I1	2-133	30	SEAL, WINDSCREEN ADJUSTER	1-H10	2-118	9
SCREW, TAPPING (5X12)	1-E2	2-7	19	SEAT, JUDDER SPRING	1-C11	1-22	5
	1-F3	2-41	25	SEAT, MAIN	1-G5	2-76	3
SCREW, TAPPING (5X16)	1-E2	2-7	19	SEAT, PILLION	1-G5	2-76	8
	1-G9	2-85	17	SEAT RAIL	1-H6	2-110	7
	1-H13	2-125	18	SEAT, VALVE SPRING	1-C5	1-10	11
SCREW, TAPPING (5X20)	1-G9	2-85	16		1-C5	1-11	11
SCREWDRIVER 1, PHILLIPS (NO.2)	1-H8	2-115	14	SENSOR ASSY., KNOCK	1-D2	1-36	7
SCREWDRIVER 3, STRAIGHT SLOT (NO. 2)	1-H8	2-115	15	SENSOR ASSY., SPEED	1-C13	1-26	9
SCREW-WASHER (3X8)	1-D13	1-58	9	SENSOR ASSY., TA	1-G9	2-85	13
SCREW-WASHER (4X12)	1-D12	1-57	23	SENSOR ASSY., WATER TEMPERATURE	1-D10	1-53	22
	1-E4	2-11	21	SENSOR, BANK ANGLE	1-E1	2-4	7
	1-E5	2-13	21	SENSOR, FR. WHEEL SPEED	1-F2	2-38	2
	1-E10	2-22	31	SENSOR, MAP	1-D12	1-56	20
	1-F3	2-41	24	SENSOR, OPEN AIR TEMPERATURE	1-H14	2-126	2
	1-F5	2-45	25	SENSOR, OXYGEN (1-3)	1-G10	2-87	13
SCREW-WASHER (4X20)	1-G7	2-80	34	SENSOR, OXYGEN (2-4)	1-G10	2-87	14
SCREW-WASHER (4X25)	1-C15	1-30	17	SENSOR, RR. WHEEL SPEED	1-F15	2-64	4
SCREW-WASHER (4X30)	1-E1	2-5	12	SHAFT ASSY., PRIMARY	1-C16	1-32	1
SCREW-WASHER (5X10)	1-D12	1-57	24	SHAFT, BALANCER	1-D5	1-43	3
	1-H2	2-103	18	SHAFT, FINAL GEAR	1-D9	1-51	2
	1-H3	2-104	11	SHAFT, GEARSHIFT FORK	1-D8	1-48	7
	1-H3	2-105	11	SHAFT, PROPELLER	1-G14	2-95	2
	1-H4	2-107	13	SHAFT, REDUCTION GEAR	1-C12	1-24	9
SCREW-WASHER (5X12)	1-G4	2-75	21	SHAFT SET, STARTER	1-D13	1-58	1
SCREW-WASHER (5X16)	1-G2	2-71	28	SHIM A, PINION GEAR (1.32)	1-F13	2-60	15
SCREW-WASHER (5X20)	1-E3	2-8	9		1-F15	2-65	18
	1-E3	2-9	11	SHIM A, RING GEAR (1.82)	1-F13	2-61	17
	1-G2	2-71	28		1-F16	2-66	20
SCREW-WASHER (5X22)	1-E1	2-5	13	SHIM A, STOPPER PIN (0.10)	1-F13	2-60	14
SCREW-WASHER (5X25)	1-E3	2-8	10		1-F15	2-65	17
SCREW-WASHER (5X28)	1-E12	2-27	36	SHIM B, PINION GEAR (1.35)	1-F13	2-60	15
SCREW-WASHER (5X35)	1-E3	2-9	11		1-F15	2-65	18
SCREW-WASHER (5X40)	1-E3	2-9	12	SHIM B, RING GEAR (1.85)	1-F13	2-61	17
SCREW-WASHER (5X45)	1-E3	2-9	12		1-F16	2-66	20
SCREW-WASHER (5X8)	1-E12	2-26	33	SHIM B, STOPPER PIN (0.15)	1-F13	2-60	14
SCREW-WASHER (6X20)	1-D13	1-58	10		1-F15	2-65	17
	1-D13	1-59	10	SHIM C, PINION GEAR (1.38)	1-F13	2-60	15
SCREW-WASHER, LOCK (4X8)	1-G4	2-75	15		1-F13	2-61	15
SEAL, COWL (LOWER)	1-H14	2-127	13		1-F15	2-65	18
SEAL, MECHANICAL	1-C10	1-20	2	SHIM C, RING GEAR (1.88)	1-F13	2-61	17
SEAL, MIDDLE COWL	1-H14	2-126	8		1-F16	2-66	20
SEAL, POCKET B	1-H13	2-124	10	SHIM D, PINION GEAR (1.41)	1-F13	2-61	15
SEAL, RADIATOR CAP (ENGLISH)	1-H9	2-116	8		1-F15	2-65	18
SEAL, RING	1-D1	1-34	12	SHIM D, RING GEAR (1.91)	1-F13	2-61	17
	1-D15	1-62	2		1-F16	2-66	20
SEAL, RUBBER	1-G8	2-82	5	SHIM E, PINION GEAR (1.44)	1-F13	2-61	15
	1-G16	2-98	10		1-F15	2-65	18
SEAL SET, FR. FORK	1-E14	2-31	19	SHIM E, RING GEAR (1.94)	1-F13	2-61	17
SEAL SET, PISTON	1-E15	2-33	1		1-F16	2-66	20
	1-E15	2-33	2	SHIM F, PINION GEAR (1.47)	1-F13	2-61	15
	1-F1	2-36	1		1-F15	2-65	18

DESCRIPTION INDEX

Description	Grid	Page	Ref	Description	Grid	Page	Ref
SHIM F, RING GEAR (1.97)	1-F13	2-61	17	SHIM, TAPPET (1.575)	1-C5	1-11	13
	1-F16	2-66	20	SHIM, TAPPET (1.600)	1-C5	1-11	13
SHIM G, PINION GEAR (1.50)	1-F13	2-61	15	SHIM, TAPPET (1.625)	1-C5	1-11	13
	1-F15	2-65	18	SHIM, TAPPET (1.650)	1-C5	1-11	13
SHIM G, RING GEAR (2.00)	1-F13	2-61	17		1-C6	1-12	13
	1-F16	2-67	20	SHIM, TAPPET (1.675)	1-C6	1-12	13
SHIM H, PINION GEAR (1.53)	1-F13	2-61	15	SHIM, TAPPET (1.700)	1-C6	1-12	13
	1-F15	2-65	18	SHIM, TAPPET (1.725)	1-C6	1-12	13
SHIM H, RING GEAR (2.03)	1-F13	2-61	17	SHIM, TAPPET (1.750)	1-C6	1-12	13
	1-F16	2-67	20	SHIM, TAPPET (1.775)	1-C6	1-12	13
SHIM I, PINION GEAR (1.56)	1-F13	2-61	15	SHIM, TAPPET (1.800)	1-C6	1-12	13
	1-F15	2-65	18	SHIM, TAPPET (1.825)	1-C6	1-12	13
SHIM I, RING GEAR (2.06)	1-F13	2-61	17	SHIM, TAPPET (1.850)	1-C6	1-12	13
	1-F14	2-62	17	SHIM, TAPPET (1.875)	1-C6	1-12	13
	1-F16	2-67	20	SHIM, TAPPET (1.900)	1-C6	1-12	13
SHIM J, PINION GEAR (1.59)	1-F13	2-61	15	SHIM, TAPPET (1.925)	1-C6	1-13	13
	1-F15	2-65	18	SHIM, TAPPET (1.950)	1-C6	1-13	13
	1-F16	2-66	18	SHIM, TAPPET (1.975)	1-C6	1-13	13
SHIM J, RING GEAR (2.09)	1-F14	2-62	17	SHIM, TAPPET (2.000)	1-C6	1-13	13
	1-F16	2-67	20	SHIM, TAPPET (2.025)	1-C6	1-13	13
SHIM K, PINION GEAR (1.62)	1-F13	2-61	15	SHIM, TAPPET (2.050)	1-C6	1-13	13
	1-F16	2-66	18	SHIM, TAPPET (2.075)	1-C6	1-13	13
SHIM K, RING GEAR (2.12)	1-F14	2-62	17	SHIM, TAPPET (2.100)	1-C6	1-13	13
	1-F16	2-67	20	SHIM, TAPPET (2.125)	1-C6	1-13	13
SHIM L, PINION GEAR (1.65)	1-F13	2-61	15	SHIM, TAPPET (2.150)	1-C6	1-13	13
	1-F16	2-66	18	SHIM, TAPPET (2.175)	1-C6	1-13	13
SHIM L, RING GEAR (2.15)	1-F14	2-62	17	SHIM, TAPPET (2.200)	1-C6	1-13	13
	1-F16	2-67	20	SHIM, TAPPET (2.225)	1-C6	1-13	13
SHIM M, PINION GEAR (1.68)	1-F13	2-61	15	SHIM, TAPPET (2.250)	1-C6	1-13	13
	1-F16	2-66	18	SHIM, TAPPET (2.275)	1-C6	1-13	13
SHIM M, RING GEAR (2.18)	1-F14	2-62	17	SHIM, TAPPET (2.300)	1-C6	1-13	13
	1-F16	2-67	20	SHIM, TAPPET (2.325)	1-C6	1-13	13
SHIM N, RING GEAR (2.21)	1-F14	2-62	17	SHIM, TAPPET (2.350)	1-C6	1-13	13
	1-F16	2-67	20	SHIM, TAPPET (2.375)	1-C6	1-13	13
SHIM O, RING GEAR (2.24)	1-F14	2-62	17	SHIM, TAPPET (2.400)	1-C6	1-13	13
	1-F16	2-67	20	SHIM, TAPPET (2.425)	1-C7	1-14	13
SHIM P, RING GEAR (2.27)	1-F14	2-62	17	SHIM, TAPPET (2.450)	1-C7	1-14	13
	1-F16	2-67	20	SHIM, TAPPET (2.475)	1-C7	1-14	13
SHIM Q, RING GEAR (2.30)	1-F14	2-62	17	SHIM, TAPPET (2.500)	1-C7	1-14	13
	1-F16	2-67	20	SHIM, TAPPET (2.525)	1-C7	1-14	13
SHIM, TAPPET (1.200)	1-C5	1-11	13	SHIM, TAPPET (2.550)	1-C7	1-14	13
SHIM, TAPPET (1.225)	1-C5	1-11	13	SHIM, TAPPET (2.575)	1-C7	1-14	13
SHIM, TAPPET (1.250)	1-C5	1-11	13	SHIM, TAPPET (2.600)	1-C7	1-14	13
SHIM, TAPPET (1.275)	1-C5	1-11	13	SHIM, TAPPET (2.625)	1-C7	1-14	13
SHIM, TAPPET (1.300)	1-C5	1-11	13	SHIM, TAPPET (2.650)	1-C7	1-14	13
SHIM, TAPPET (1.325)	1-C5	1-11	13	SHIM, TAPPET (2.675)	1-C7	1-14	13
SHIM, TAPPET (1.350)	1-C5	1-11	13		1-C7	1-15	13
SHIM, TAPPET (1.375)	1-C5	1-11	13	SHIM, TAPPET (2.700)	1-C7	1-15	13
SHIM, TAPPET (1.400)	1-C5	1-11	13	SHIM, TAPPET (2.725)	1-C7	1-15	13
SHIM, TAPPET (1.425)	1-C5	1-11	13	SHIM, TAPPET (2.750)	1-C7	1-15	13
SHIM, TAPPET (1.450)	1-C5	1-11	13	SHIM, TAPPET (2.775)	1-C7	1-15	13
SHIM, TAPPET (1.475)	1-C5	1-11	13	SHIM, TAPPET (2.800)	1-C7	1-15	13
SHIM, TAPPET (1.500)	1-C5	1-11	13	SHIM, TAPPET (2.825)	1-C7	1-15	13
SHIM, TAPPET (1.525)	1-C5	1-11	13	SHIM, TAPPET (2.850)	1-C7	1-15	13
SHIM, TAPPET (1.550)	1-C5	1-11	13	SHIM, TAPPET (2.875)	1-C7	1-15	13
				SHIM, TAPPET (2.900)	1-C7	1-15	13

DESCRIPTION INDEX

Description	Grid	Page	Ref	Description	Grid	Page	Ref
SHIM, WHEEL SENSOR	1-F16	2-67	22	SPROCKET, WATER PUMP DRIVE (33T)	1-C11	1-22	1
SHROUD, L.	1-H9	2-116	6	SPROCKET, WATER PUMP DRIVEN (20T)	1-C10	1-20	6
SHROUD, R.	1-H9	2-116	3	STAND, MAIN	1-G13	2-93	3
SOCKET	1-H1	2-101	2	STAY A, FR. BRAKE HOSE	1-E6	2-14	10
SOCKET, POSITION LIGHT	1-E1	2-4	4		1-E6	2-15	10
SPACER, HANDLE	1-E11	2-25	14		1-E7	2-17	14
SPACER, IGNITION COIL	1-H5	2-108	3	STAY, AIR INJECTION CONTROL VALVE	1-D14	1-60	5
SPARK PLUG (CR7EH9) (NGK)	1-C2	1-5	24	STAY B, FR. BRAKE HOSE	1-E6	2-15	11
	1-C4	1-9	22		1-E7	2-17	15
SPARK PLUG (CR8EH9) (NGK)	1-C2	1-5	24	STAY, BATTERY	1-G12	2-90	2
	1-C4	1-9	22	STAY, COWL (UPPER)	1-H15	2-129	7
SPARK PLUG (CR9EH9) (NGK)	1-C2	1-5	24	STAY, FR. FENDER	1-E6	2-15	17
	1-C3	1-6	24		1-E7	2-17	23
	1-C4	1-9	22	STAY, FR. REFLECTOR	1-E13	2-29	2
SPARK PLUG (U22FER9) (DENSO)	1-C2	1-5	24	STAY, FUEL PUMP	1-G4	2-74	6
	1-C4	1-9	22	STAY, L. WINDSCREEN	1-H10	2-119	11
SPARK PLUG (U24FER9) (DENSO)	1-C2	1-5	24	STAY, OIL CAP	1-F3	2-40	2
	1-C4	1-9	22		1-F4	2-43	3
SPARK PLUG (U27FER9) (DENSO)	1-C3	1-6	24	STAY, PCV	1-F6	2-46	9
	1-C4	1-9	22		1-F7	2-49	13
SPINDLE, GEARSHIFT	1-D8	1-49	12	STAY, R. IGNITION COIL	1-H5	2-108	2
SPRING A, MAIN STAND	1-G13	2-93	7	STAY, R. WINDSCREEN	1-H10	2-118	7
SPRING ASSY., SIDE STAND	1-G14	2-94	13	STAY, RADIATOR (UPPER)	1-H9	2-117	16
SPRING B, MAIN STAND	1-G13	2-93	4	STAY, RR. BRAKE HOSE	1-F6	2-46	1
SPRING, BRAKE LOCK CABLE RETURN (B)	1-G5	2-76	1		1-F7	2-48	1
SPRING, BRAKE PEDAL	1-G11	2-88	10	STAY, RR. CUSHION PRELOAD ADJUSTER	1-G15	2-97	2
SPRING, CLUTCH	1-C11	1-23	12	STAY, SIDE REFLECTOR	1-G6	2-79	13
SPRING, CLUTCH SUB-FREE	1-H16	2-131	1	STAY, WIRE	1-D11	1-55	4
SPRING, FR. FORK	1-E14	2-30	4	STEM SUB-ASSY., STEERING	1-E13	2-28	3
SPRING, GEARSHIFT DRUM STOPPER	1-D8	1-49	11	STOPPER, SADDLEBAG COVER	1-I1	2-133	27
SPRING, JUDDER	1-C11	1-23	13	STRAINER, OIL	1-C16	1-33	5
SPRING, KICK STARTER STOPPER	1-G12	2-90	1	SUB-HARNESS, ALTERNATOR	1-C15	1-30	21
SPRING, L. GRAB RAIL LEVER	1-G6	2-79	24	SUB-HARNESS, FAIRING	1-H15	2-129	2
SPRING, L. SADDLEBAG LEVER	1-I1	2-133	26	SUB-HARNESS, INJECTOR	1-H3	2-104	3
SPRING, L. STEP RETURN	1-G12	2-90	10		1-H4	2-106	3
SPRING, LOCK KEY SETTING	1-G6	2-78	7	SUB-SPRING, SIDE STAND	1-G13	2-93	12
	1-H13	2-124	1		1-G14	2-94	12
	1-H16	2-131	4	SUB-WIRE, ENGINE	1-D2	1-36	9
SPRING, PAD	1-E15	2-33	8	SUB-WIRE HARNESS, ABS	1-H4	2-106	4
	1-F1	2-36	8	SUSPENSION, POWER RELAY	1-H3	2-104	9
	1-F10	2-54	5		1-H4	2-106	10
SPRING, PROPELLER SHAFT	1-G14	2-95	3		1-H4	2-107	10
SPRING, R. GRAB RAIL LEVER	1-G6	2-79	21		1-H15	2-129	4
SPRING, R. SADDLEBAG LEVER	1-I1	2-132	15	SUSPENSION, TURN SIGNAL RELAY (DENSO)	1-H3	2-104	7
SPRING, R. STEP RETURN	1-G12	2-90	6		1-H4	2-106	8
	1-H6	2-111	13	SWINGARM, GEARSHIFT	1-D8	1-48	6
SPRING, SADDLEBAG KEY GUARD	1-I1	2-132	16	SWINGARM SUB-ASSY., RR.	1-G14	2-95	6
SPRING, SHIFT RETURN	1-D8	1-49	13	SWITCH ASSY., AIMING	1-E2	2-6	5
SPRING, SLAVE CYLINDER	1-C13	1-26	6	SWITCH ASSY., CLUTCH	1-E9	2-21	9
SPRING, STOP SWITCH	1-G11	2-88	8	SWITCH ASSY., COMBINATION & LOCK	1-E11	2-24	4
SPRING, VALVE	1-C5	1-10	9	SWITCH ASSY., FR. STOP	1-E4	2-10	1
SPROCKET, CAM (38T)	1-C8	1-16	2		1-E5	2-12	1
SPROCKET, OIL PUMP DRIVE (22T)	1-D5	1-42	15	SWITCH ASSY., NEUTRAL	1-D2	1-37	11
SPROCKET, OIL PUMP DRIVEN (30T)	1-C16	1-33	4	SWITCH ASSY., OIL PRESSURE (DENSO)	1-D2	1-36	10
SPROCKET, TIMING (19T)	1-C8	1-16	1		1-D2	1-37	10
				SWITCH ASSY., RR. STOP	1-G11	2-88	7

DESCRIPTION INDEX

Description	Grid	Page	Ref	Description	Grid	Page	Ref
SWITCH ASSY., STARTER MAGNETIC	1-H2	2-103	9	VALVE ASSY., PURGE CONTROL SOLENOID	1-I2	2-135	6
SWITCH ASSY., THREE-WAY	1-E2	2-6	6	VALVE ASSY., RELIEF	1-C16	1-33	8
SWITCH SET, SIDE STAND	1-G13	2-93	2	VALVE, EX.	1-C5	1-10	7
SWITCH SET, STARTER KILL	1-E3	2-8	3	VALVE, IN.	1-C5	1-10	6
SWITCH SET, TURN SIGNAL	1-E3	2-8	4	VALVE, REED	1-C1	1-2	11
					1-C1	1-3	11
(T)				VALVE, RIM (BS)	1-F2	2-38	4
TANK, FUEL SUB	1-G4	2-75	10		1-F11	2-57	11
TANK, RESERVE	1-H9	2-117	11	VALVE, RIM (DUNLOP)	1-F2	2-38	4
TANK SET, FUEL (TYPE1) (WL)	1-G2	2-70	1		1-F11	2-57	11
TANK SET, FUEL (TYPE2) (WL)	1-G2	2-70	1	VALVE SET A, STARTER	1-D13	1-58	8
TENSIONER, CAM CHAIN	1-C8	1-16	5				
TERMINAL SET, BRUSH	1-C14	1-28	2	(W)			
THERMOSTAT	1-D10	1-52	3	WASHER	1-H10	2-119	23
THREAD B, STEERING HEAD TOP	1-E13	2-28	5	WASHER (10.5X27)	1-H7	2-113	48
THREAD, STEERING HEAD TOP	1-E13	2-28	4	WASHER (10.5X27X4)	1-H7	2-113	48
THREAD, STEERING HEAD TOP (B)	1-E13	2-28	5	WASHER (12.5X36X6)	1-C11	1-23	22
TIRE, FR. (120/70ZR18M/C) (59W) (DUNLOP)	1-F2	2-39	11		1-C12	1-25	13
TIRE, FR. (120/70ZR18M/C) (BS)	1-F2	2-39	11	WASHER (14MM)	1-D8	1-49	20
TIRE, RR. (170/60ZR17) (DUNLOP)	1-F11	2-57	10	WASHER (15.2X25)	1-G11	2-89	16
TIRE, RR. (170/60ZR17M/C) (BS)	1-F11	2-57	10	WASHER (18MM)	1-G4	2-75	19
TOOL SET	1-H8	2-114	3	WASHER (20X31.5X2)	1-F12	2-58	24
TRIM, FUEL TANK	1-G2	2-70	3	WASHER (25.1X37X5)	1-C11	1-23	20
TUBE	1-D11	1-55	6	WASHER (6X20)	1-H10	2-119	24
	1-D11	1-55	7	WASHER (8.5X20)	1-G7	2-80	31
	1-D11	1-55	8	WASHER (8MM)	1-G11	2-89	15
	1-D12	1-56	19	WASHER A, BALANCER SIDE	1-D5	1-43	8
TUBE (19X23)	1-G13	2-93	6	WASHER B, BALANCER SIDE	1-D5	1-43	9
TUBE A, AIR INJECTION CONTROL VALVE	1-D14	1-60	2	WASHER B, THRUST (22MM)	1-D7	1-46	19
TUBE B, AIR INJECTION CONTROL VALVE	1-D14	1-60	3	WASHER, BUMPER BOLT	1-H10	2-119	21
TUBE, BRAKE PEDAL SPRING	1-C3	1-7	9	WASHER, CHAIN SLIDER	1-G16	2-99	15
TUBE, BREATHER	1-G2	2-70	7	WASHER, DRAIN PLUG (14MM)	1-D1	1-35	23
	1-G9	2-85	11		1-D2	1-37	21
TUBE C, AIR INJECTION CONTROL VALVE	1-D14	1-60	4		1-D15	1-62	2
TUBE, CANISTER	1-I2	2-135	3		1-F14	2-63	36
TUBE, CANISTER DRAIN	1-I2	2-135	10		1-G1	2-69	40
	1-I3	2-136	10	WASHER, DRUM STOPPER	1-D8	1-49	19
TUBE, CANISTER OPEN AIR	1-I3	2-136	13	WASHER, FLAT (8MM)	1-G14	2-94	19
TUBE, DRAIN	1-G2	2-70	6	WASHER, FR. COVER SETTING	1-H14	2-127	27
TUBE, FUEL JOINT	1-G2	2-70	8	WASHER, HANDLE RUBBER	1-E12	2-26	28
TURN SIGNAL ASSY., L. FR. (12V 21W)	1-H1	2-100	2	WASHER, LOCK	1-E13	2-28	6
TURN SIGNAL ASSY., L. FR. (12V 21/5W)	1-H1	2-100	2	WASHER, LOCK (28MM)	1-D7	1-47	24
TURN SIGNAL ASSY., R. FR. (12V 21W)	1-H1	2-100	1	WASHER, LOCK (30MM)	1-D7	1-47	23
TURN SIGNAL ASSY., R. FR. (12V 21/5W)	1-H1	2-100	1	WASHER, MIRROR SETTING SPRING	1-H11	2-121	7
				WASHER, NEUTRAL	1-D2	1-37	13
(U)					1-D15	1-62	2
UNIT ASSY., FUEL PUMP	1-G4	2-74	1	WASHER, OIL BOLT	1-E4	2-11	18
					1-E5	2-13	18
					1-E6	2-15	23
					1-E8	2-18	32
					1-E9	2-21	25
(V)					1-F3	2-41	21
VALVE ASSY., EX. AIR INJECTION	1-D14	1-60	6		1-F5	2-45	22
VALVE ASSY., PROPORTIONING CONTROL	1-F6	2-46	8		1-F7	2-49	21
	1-F7	2-49	12		1-F8	2-51	12

DESCRIPTION INDEX

Description	Grid	Page	Ref	Description	Grid	Page	Ref
WASHER, OIL BOLT	1-F9	2-53	13	WAX ASSY.	1-D13	1-58	7
WASHER O-RING KIT A	1-D14	1-61	2	WEIGHT, BALANCE (10G)	1-F2	2-38	3
WASHER O-RING KIT B	1-D15	1-62	2		1-F11	2-57	9
WASHER, PLAIN (10MM)	1-F14	2-63	35	WEIGHT, BALANCE (20G)	1-F2	2-38	3
	1-G1	2-68	39		1-F11	2-57	9
	1-G1	2-69	39	WEIGHT, BALANCE (30G)	1-F2	2-38	3
WASHER, PLAIN (12MM)	1-H6	2-111	24		1-F11	2-57	9
	1-H7	2-113	49	WEIGHT, BALANCER	1-D5	1-43	2
WASHER, PLAIN (4MM)	1-H13	2-125	19	WEIGHT, HANDLEBAR	1-E11	2-24	10
	1-I1	2-133	33		1-E11	2-25	10
WASHER, PLAIN (5MM)	1-F3	2-41	27	WEIGHT, HANDLEBAR (B)	1-E11	2-24	9
WASHER, PLAIN (6MM)	1-E8	2-19	44	WHEEL SUB-ASSY., FR.	1-F2	2-39	10
	1-G1	2-69	45	WHEEL SUB-ASSY., RR.	1-F11	2-56	8
	1-G3	2-72	30	WINDSCREEN	1-H10	2-118	4
	1-G5	2-77	15	WIRE HARNESS	1-H3	2-104	2
	1-G7	2-80	37		1-H4	2-106	2
	1-G12	2-91	21	WIRE HARNESS, WIRE	1-H3	2-104	2
	1-H9	2-117	22		1-H4	2-106	2
	1-H10	2-119	28	WIRE, IGNITION (1)	1-H5	2-108	5
WASHER, PLAIN (8MM)	1-G7	2-80	38	WIRE, IGNITION (2)	1-H5	2-108	6
	1-G10	2-87	22	WIRE, IGNITION (3)	1-H5	2-108	7
	1-G12	2-91	22	WIRE, IGNITION (4)	1-H5	2-108	8
	1-H7	2-113	54	WRENCH (8MM) (OPEN END)	1-H8	2-115	18
WASHER, RUBBER	1-E13	2-29	8	WRENCH, BOX (10)	1-H8	2-114	8
WASHER, SEALING	1-C8	1-17	17	WRENCH, BOX (8MM)	1-H8	2-114	8
	1-D15	1-62	2	WRENCH, EYE (10X12)	1-H8	2-115	13
WASHER, SEALING (12MM)	1-G4	2-75	18	WRENCH, EYE (14X22)	1-H8	2-115	12
WASHER, SEALING (6.5MM)	1-C2	1-5	16	WRENCH, EYE (17)	1-H8	2-114	10
	1-C4	1-8	16	WRENCH, EYE (17MM)	1-H8	2-114	10
	1-D2	1-37	14	WRENCH, HEX. (5MM)	1-H8	2-115	11
	1-D14	1-61	2	WRENCH, PLUG (16.5)	1-H8	2-114	9
	1-D15	1-62	2				
WASHER, SEALING (6MM)	1-C8	1-17	16				
	1-D15	1-62	2				
WASHER, SEALING (8.5MM)	1-C13	1-26	10				
	1-D15	1-62	2				
WASHER, SEAT LOCK	1-G6	2-78	11				
	1-G6	2-79	11				
WASHER, SPECIAL (12MM)	1-D10	1-53	23				
WASHER, SPECIAL (18MM)	1-F11	2-57	16				
WASHER, SPECIAL (22MM)	1-D7	1-46	16				
WASHER, SPECIAL (35X40)	1-F13	2-61	16				
	1-F16	2-66	19				
WASHER, SPECIAL (6MM)	1-G4	2-75	19				
WASHER, SPECIAL (8MM)	1-E15	2-32	24				
WASHER, SPLINE (28MM)	1-D7	1-47	22				
WASHER, SPLINE (28X34X1.5)	1-D7	1-46	18				
WASHER, SPLINE (30MM)	1-D7	1-46	21				
WASHER, SPLINE (30X36X1.5)	1-D7	1-46	17				
WASHER, SPRING (22MM)	1-D9	1-51	6				
WASHER, SPRING (24MM)	1-D1	1-34	15				
WASHER, STOPPER	1-H1	2-101	6				
WASHER, THRUST (28.2X56X2)	1-C11	1-23	21				
WASHER, THRUST (28MM)	1-D7	1-46	20				
WASHER, THRUST (5MM)	1-I1	2-133	29				